

## Discovery kit for the M24SR series Dynamic NFC/RFID tag

Data brief

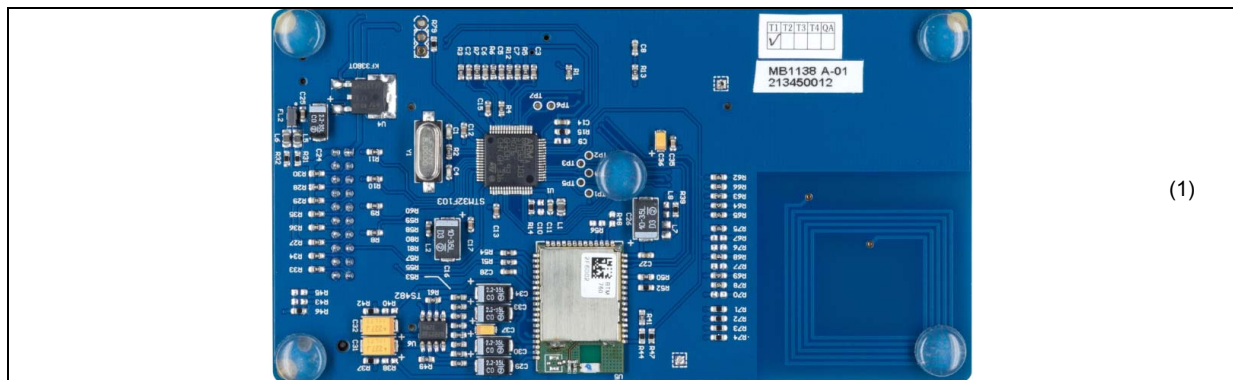
### Features

- Ready-to-use printed circuit board (PCB) including:
  - M24SR64-Y Dynamic NFC/RFID tag
  - 31 mm x 30 mm 13.56 MHz double layer inductive antenna etched on the PCB (ANT14)
  - STM32F103RGT6 64LQFP 32-bit microcontroller, with 1Mbytes of Flash memory
  - LCD Color Screen (320\*200 pixels)
  - Different color LEDs
  - USB microB connector for board powering

- JTAG connector for microcontroller firmware upgrade and debug
- Joystick for menu selection
- M24SR-DISCO-PREM specific features:
  - Bluetooth module with audio outputs connected to Jack 3.5
  - Headset

Table 1. Device summary

Reference	Order code
M24SR-DISCOVERY	M24SR-DISCO-STD M24SR-DISCO-PREM



1. Premium edition shown.

## Description

The M24SR-DISCOVERY is a demonstration kit to evaluate the features and capabilities of the M24SR series and is based on the M24SR64 device. Two versions of this kit are available: the Standard Edition and the Premium Edition.

The Premium Edition includes all of the Standard edition features, plus a headset and a Bluetooth module to demonstrate the convenience to pair it with a smartphone via NFC.

The M24SR64 device is a dynamic NFC/RFID tag IC with a dual interface. It embeds a 64 Kbits EEPROM memory. It can be operated from an I<sup>2</sup>C interface or by a 13.56 MHz RFID reader or an NFC phone.

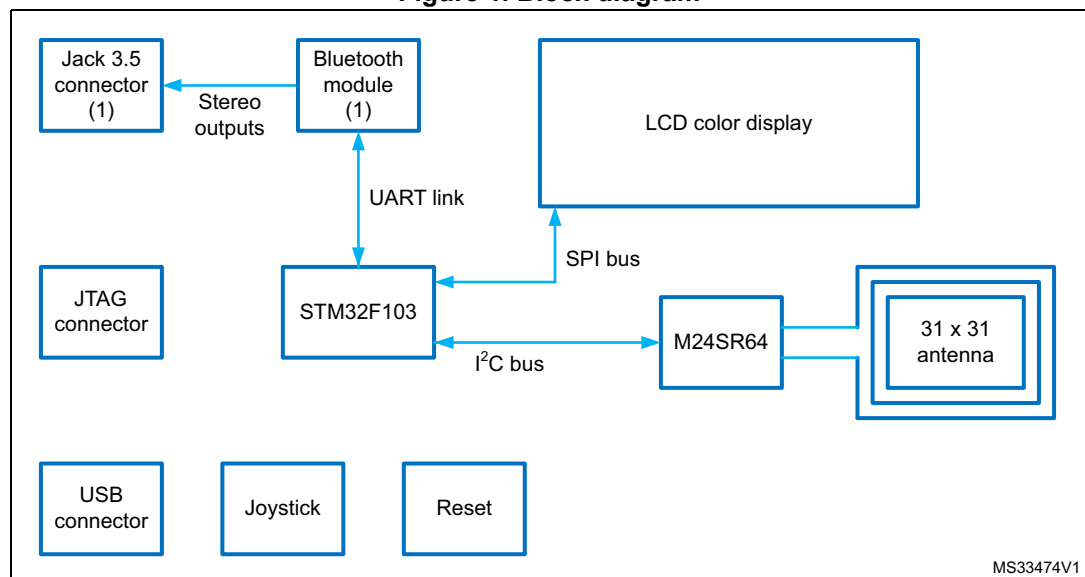
The I<sup>2</sup>C interface uses a two-wire serial interface, consisting of a bidirectional data line and a clock line. It behaves as a slave with respect to the I<sup>2</sup>C protocol.

The RF protocol is compatible with ISO/IEC 14443 Type A and NFC Forum Type 4 Tag.

The board is powered through the USB bus. It also includes a microcontroller STM32F103 to drive the EEPROM via I<sup>2</sup>C and the LCD screen via SPI bus.

The M24SR-DISCOVERY (MB1138) schematics, BOM, gerber files, drivers and firmware can be downloaded from [www.st.com](http://www.st.com).

**Figure 1. Block diagram**



1. Available only on premium edition.

# 1 Revision history

Table 2. Document revision history

Date	Revision	Changes
06-Jan-2014	1	Initial release.
11-Feb-2014	2	Introduced M24SR-DISCO-PREM features with specific bullet in <a href="#">Section : Features</a> .

**Please Read Carefully:**

Information in this document is provided solely in connection with ST products. STMicroelectronics NV and its subsidiaries ("ST") reserve the right to make changes, corrections, modifications or improvements, to this document, and the products and services described herein at any time, without notice.

All ST products are sold pursuant to ST's terms and conditions of sale.

Purchasers are solely responsible for the choice, selection and use of the ST products and services described herein, and ST assumes no liability whatsoever relating to the choice, selection or use of the ST products and services described herein.

No license, express or implied, by estoppel or otherwise, to any intellectual property rights is granted under this document. If any part of this document refers to any third party products or services it shall not be deemed a license grant by ST for the use of such third party products or services, or any intellectual property contained therein or considered as a warranty covering the use in any manner whatsoever of such third party products or services or any intellectual property contained therein.

**UNLESS OTHERWISE SET FORTH IN ST'S TERMS AND CONDITIONS OF SALE ST DISCLAIMS ANY EXPRESS OR IMPLIED WARRANTY WITH RESPECT TO THE USE AND/OR SALE OF ST PRODUCTS INCLUDING WITHOUT LIMITATION IMPLIED WARRANTIES OF MERCHANTABILITY, FITNESS FOR A PARTICULAR PURPOSE (AND THEIR EQUIVALENTS UNDER THE LAWS OF ANY JURISDICTION), OR INFRINGEMENT OF ANY PATENT, COPYRIGHT OR OTHER INTELLECTUAL PROPERTY RIGHT.**

**ST PRODUCTS ARE NOT DESIGNED OR AUTHORIZED FOR USE IN: (A) SAFETY CRITICAL APPLICATIONS SUCH AS LIFE SUPPORTING, ACTIVE IMPLANTED DEVICES OR SYSTEMS WITH PRODUCT FUNCTIONAL SAFETY REQUIREMENTS; (B) AERONAUTIC APPLICATIONS; (C) AUTOMOTIVE APPLICATIONS OR ENVIRONMENTS, AND/OR (D) AEROSPACE APPLICATIONS OR ENVIRONMENTS. WHERE ST PRODUCTS ARE NOT DESIGNED FOR SUCH USE, THE PURCHASER SHALL USE PRODUCTS AT PURCHASER'S SOLE RISK, EVEN IF ST HAS BEEN INFORMED IN WRITING OF SUCH USAGE, UNLESS A PRODUCT IS EXPRESSLY DESIGNATED BY ST AS BEING INTENDED FOR "AUTOMOTIVE, AUTOMOTIVE SAFETY OR MEDICAL" INDUSTRY DOMAINS ACCORDING TO ST PRODUCT DESIGN SPECIFICATIONS. PRODUCTS FORMALLY ESCC, QML OR JAN QUALIFIED ARE DEEMED SUITABLE FOR USE IN AEROSPACE BY THE CORRESPONDING GOVERNMENTAL AGENCY.**

Resale of ST products with provisions different from the statements and/or technical features set forth in this document shall immediately void any warranty granted by ST for the ST product or service described herein and shall not create or extend in any manner whatsoever, any liability of ST.

ST and the ST logo are trademarks or registered trademarks of ST in various countries.

Information in this document supersedes and replaces all information previously supplied.

The ST logo is a registered trademark of STMicroelectronics. All other names are the property of their respective owners.

© 2014 STMicroelectronics - All rights reserved

STMicroelectronics group of companies

Australia - Belgium - Brazil - Canada - China - Czech Republic - Finland - France - Germany - Hong Kong - India - Israel - Italy - Japan - Malaysia - Malta - Morocco - Philippines - Singapore - Spain - Sweden - Switzerland - United Kingdom - United States of America

[www.st.com](http://www.st.com)