

AC Axial Fan & Blower



*All products are **RoHS** compliance.



SUNON®

Contents

Sunon AC Axial Fan & Blower

| | | | Page |
|----------------------------|---------------------------------------|-----------------------|---------|
| Engineering Information | | | page 02 |
| Fan Model Numbering System | | | page 03 |
| AC Fan Series | | | |
| | | Air Flow (CFM) | |
| NEW | 60x60x25mm (MagLev Motor AC Fan) | 17.5~18 | page 04 |
| NEW | 70x70x25mm (MagLev Motor AC Fan) | 28~29 | page 05 |
| NEW | 80x80x25 mm (MagLev Motor AC Fan) | 40~41 | page 06 |
| | 80x80x25mm | 17~22 | page 07 |
| | 80x80x38mm | 23~31 | page 08 |
| NEW | 92x92x25mm (MagLev Motor AC Fan) | 52~54 | page 09 |
| | 92x92x25mm | 21~37 | page 10 |
| | 120x120x25mm (115V) | 46~80 | page 11 |
| | 120x120x25mm (220-240V) | 46~80 | page 12 |
| | 120x120x38mm (115V) | 70~117 | page 13 |
| | 120x120x38mm (220-240V) | 70~117 | page 14 |
| | 120x120x38mm (Plastic Frame) | 85~100 | page 15 |
| | 120x120x38mm (New Type) | 112~114 | page 16 |
| | 120x120x38mm (New Type-High Air Flow) | 95~117 | page 17 |
| | 120x120x38mm (Dual AC Voltage) | 95~115 | page 18 |
| | 120x120x38mm (24V) | 90~98 | page 19 |
| | 120x38mm (Skeleton AC Fan) | 80~110 | page 20 |
| | 171x151x51mm | 180~200 | page 21 |
| | 171x151x51mm (Alveolate Motor) | 203~239 | page 22 |
| | ∅ 171x51mm (Alveolate Motor) | 203~239 | page 23 |
| | 176x176x89mm (Alveolate Motor) | 315~355 | Page 24 |
| NEW | ∅ 254x89mm (Alveolate Motor) | 425~870 | page 25 |
| | 120x120x31mm (Blower) | 20~22 | page 26 |

Certification



Safety

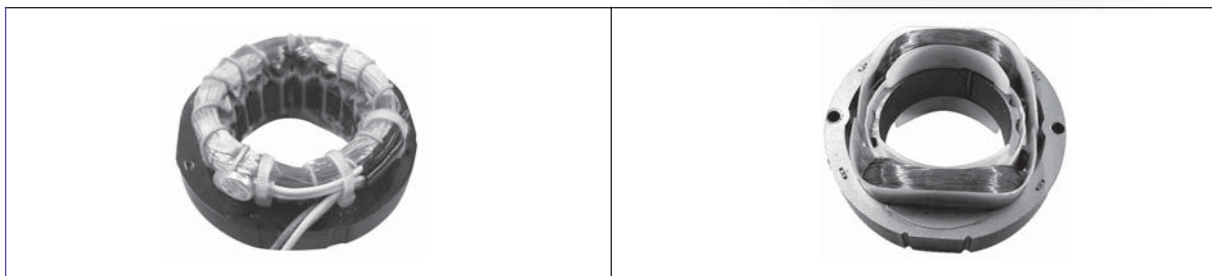


CULUS VDE-Reg-Nr.1350

Alveolate Motor AC fan series with automatic motor-wire wrapping technology ensures stable performance of high wind volume, low acoustic noise, also available with functions of dual spinning rate, and thermal cutout.



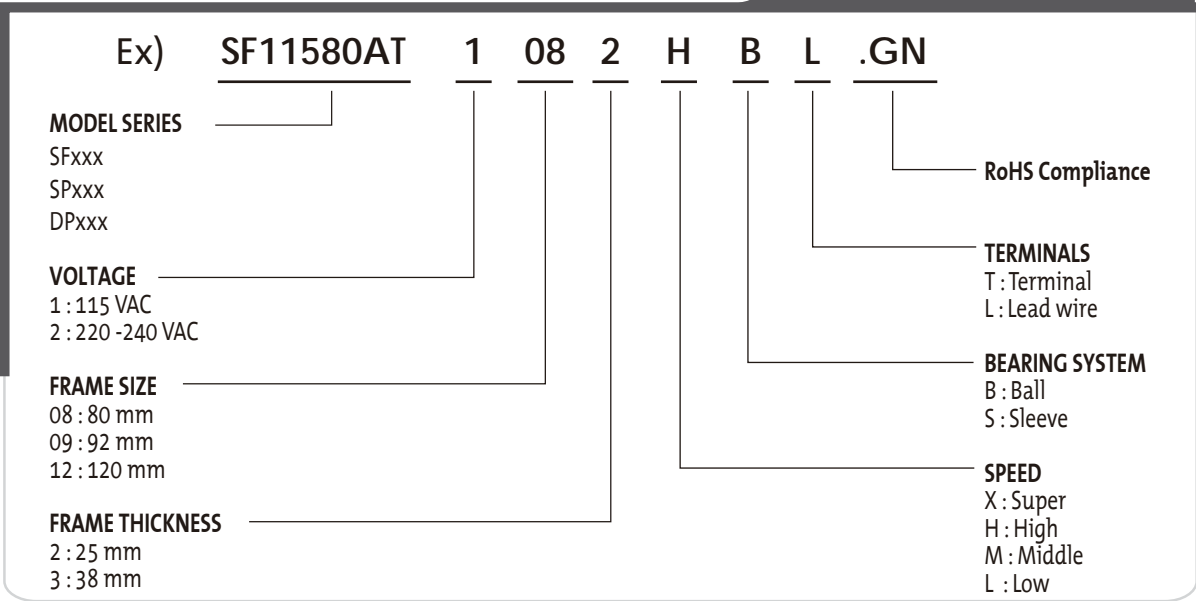
SUNON-Alveolate Motor VS. Traditional Shaded-Pole Motor



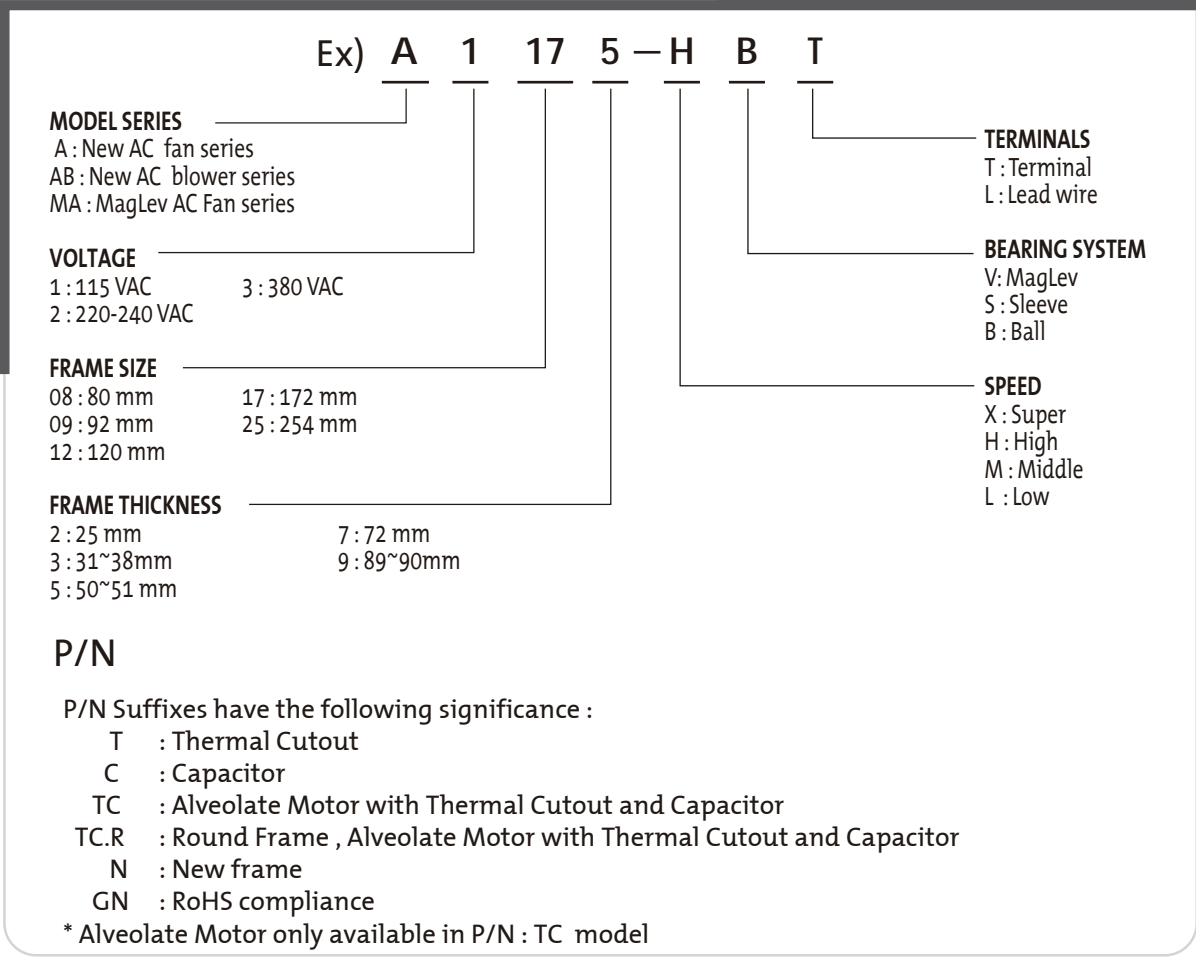
| SUNON-Alveolate Motor | Traditional Shaded-Pole Motor |
|---|--|
| 1. The Alveolate Motor is equipped with starting stator coils and working ones. The starting coils form a low starting voltage with the capacitors. For example, an 115VAC (the fixed voltage) Alveolate Motor can be started with 60VAC. | 1. The Traditional Shaded-Pole Motor, designed with single-wire wrapping, is started by "the starting copper" and cannot be started with low voltage. An 115VAC Traditional Shaded-Pole motor will need more than 80VAC to run, 20VAC more than the Alveolate one. |
| 2. The coils do not produce high temperature and consumes less electricity. The temperature is normally around 50°C. Therefore, the motor is always stable and reliable. | 2. The Traditional Shaded-Pole Motor consumes electricity twice as much as the Alveolate Motor. It is not reliable because the temperature is usually higher than 70°C. |
| 3. The Thermal Cutout can protect the motor. | 3. The Thermal Cutout is an option. |
| 4. The motor has a large torsion to produce high wind pressure and wind volume. | 4. General wind pressure and wind volume. |
| 5. The motor is equipped with the third wire, ready to comply with the customer's systems. | 5. Without the third wire. |

Model Numbering System

General AC Fan



New Type AC Fan



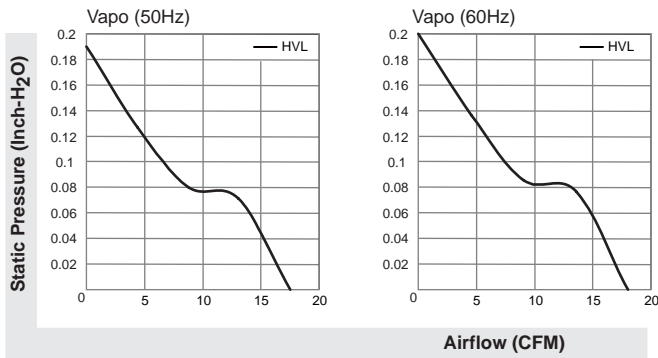
MagLev Motor AC Fan

17.5-18 CFM

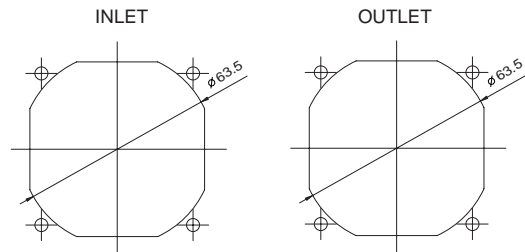
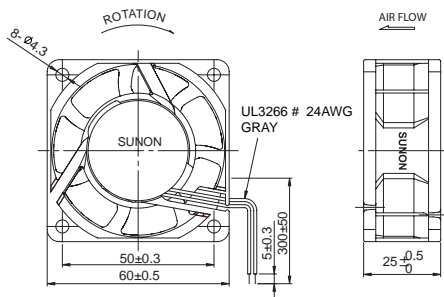


| Model | P/N | Bearing | Rating Voltage (VAC) | Freq. (Hz) | Power Current (AMP) | Power Consumption (WATTS) | Speed (RPM) | Air Flow (CFM) | Static Pressure (Inch-H ₂ O) | Noise (dBA) | Weight (g) |
|------------|-----|------------------------------|----------------------|------------|---------------------|---------------------------|-------------|----------------|---|-------------|------------|
| MA1062-HVL | GN | ● Vapo ○ BALL ◎ Sleeve | 115 | 50/60 | 0.191/0.185 | 3.6/3.6 | 4100/4200 | 17.5/18 | 0.19/0.20 | 30/31 | 81 |
| MA2062-HVL | GN | ● | 220-240 | 50/60 | 0.198/0.211 | 4.1/4.4 | 4100/4200 | 17.5/18 | 0.19/0.20 | 30/31 | 81 |

Frame : PBT Plastic



UNITS:mm



*All model could be customized on voltage or any other requirements to fit your need.

*Specifications subject to change without notice. Please Visit SUNON web site at <http://www.sunon.com> for update information.

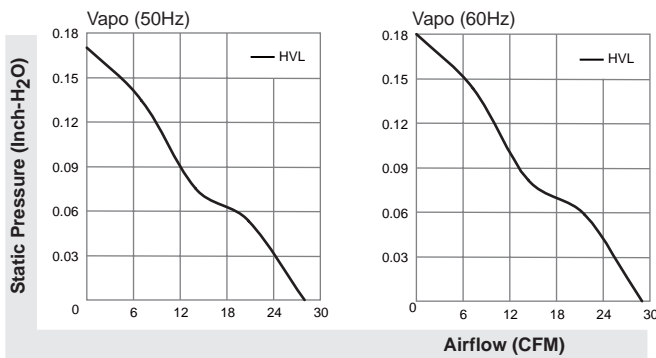
MagLev Motor AC Fan

28-29 CFM

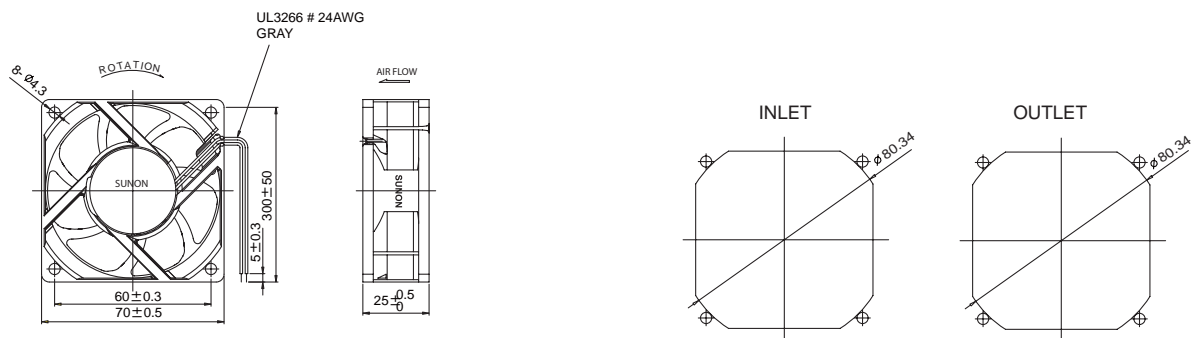


| Model | P/N | Bearing | Rating Voltage (VAC) | Freq. (Hz) | Power Current (AMP) | Power Consumption (WATTS) | Speed (RPM) | Air Flow (CFM) | Static Pressure (Inch-H ₂ O) | Noise (dBA) | Weight (g) |
|------------|-----|------------------------------|----------------------|------------|---------------------|---------------------------|-------------|----------------|---|-------------|------------|
| MA1072-HVL | GN | ● Vapo ○ BALL ◎ Sleeve | 115 | 50/60 | 0.208/0.197 | 3.7/3.7 | 3800/3900 | 28/29 | 0.17/0.18 | 30/31 | 90 |
| MA2072-HVL | GN | ● | 220-240 | 50/60 | 0.207/0.220 | 4.3/4.4 | 3800/3900 | 28/29 | 0.17/0.18 | 30/31 | 90 |

Frame : PBT Plastic



UNITS:mm



*All model could be customized on voltage or any other requirements to fit your need.

*Specifications subject to change without notice. Please Visit SUNON web site at <http://www.sunon.com> for update information.

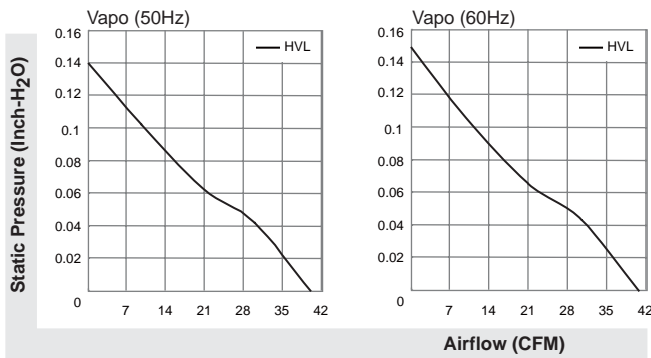
MagLev Motor AC Fan

40-41 CFM

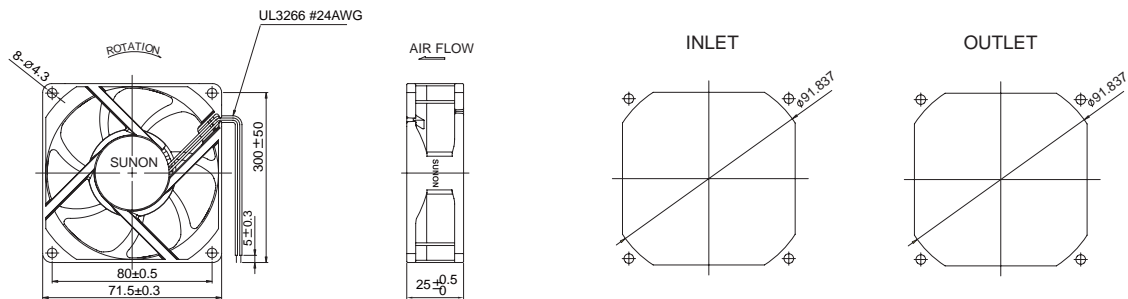


| Model | P/N | Bearing | Rating Voltage (VAC) | Freq. (Hz) | Power Current (AMP) | Power Consumption (WATTS) | Speed (RPM) | Air Flow (CFM) | Static Pressure (Inch-H ₂ O) | Noise (dBA) | Weight (g) |
|------------|-----|------------------------------|----------------------|------------|---------------------|---------------------------|-------------|----------------|---|-------------|------------|
| MA1082-HVL | GN | ● Vapo ○ BALL ◎ Sleeve | 115 | 50/60 | 0.112/0.116 | 3.6/3.6 | 3200/3300 | 40/41 | 0.14/0.15 | 32/33 | 102.2 |
| MA2082-HVL | GN | ● | 220-240 | 50/60 | 0.102/0.101 | 4.6/4.6 | 3200/3300 | 40/41 | 0.14/0.15 | 32/33 | 102.2 |

Frame : PBT Plastic



UNITS:mm



*All model could be customized on voltage or any other requirements to fit your need.

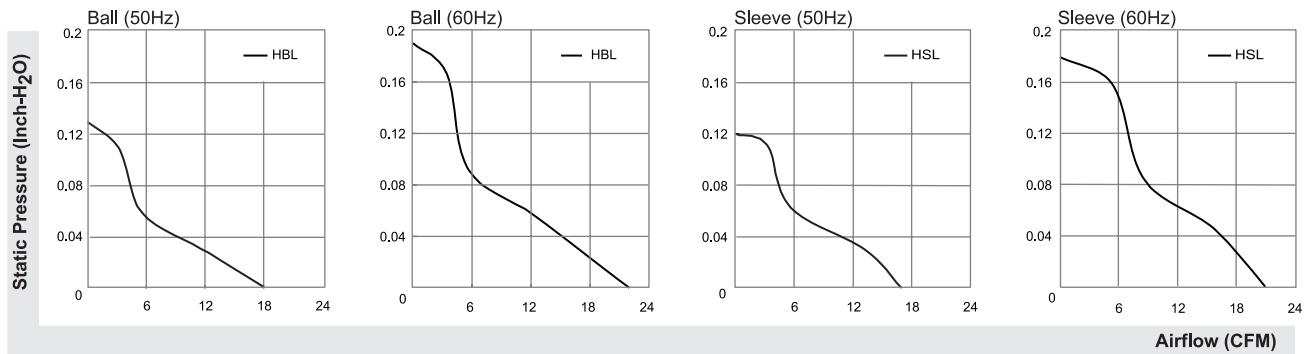
*Specifications subject to change without notice. Please Visit SUNON web site at <http://www.sunon.com> for update information.

17-22 CFM

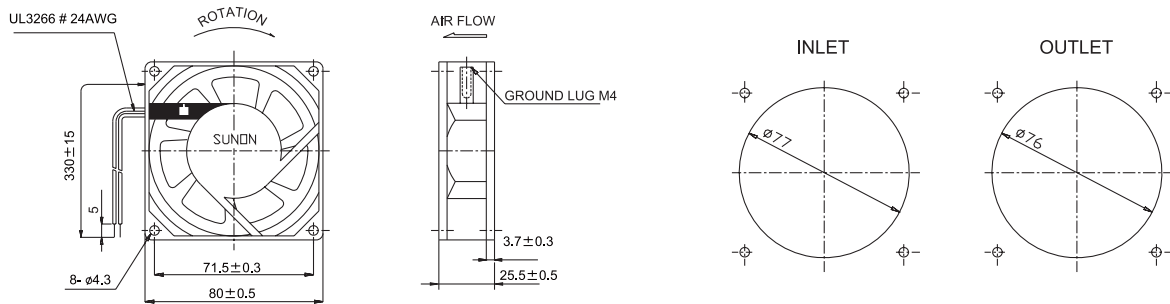


| Model | P/N | Bearing | Rating Voltage (VAC) | Freq. (Hz) | Power Current (AMP) | Power Consumption (WATTS) | Speed (RPM) | Air Flow (CFM) | Static Pressure (Inch-H ₂ O) | Noise (dBA) | Weight (g) |
|-----------|------------|------------------------------|----------------------|------------|---------------------|---------------------------|-------------|----------------|---|-------------|------------|
| SF11580AT | 1082HSL.GN | ● VAPO ○ BALL ◎ Sleeve | 115 | 50/60 | 0.12/0.10 | 12/11 | 2300/2750 | 17/21 | 0.12/0.18 | 29/33 | 260 |
| SF11580AT | 1082HBL.GN | ○ | 115 | 50/60 | 0.12/0.10 | 12/11 | 2450/2900 | 18/22 | 0.13/0.19 | 30/34.5 | 260 |
| SF23080AT | 2082HSL.GN | ◎ | 220-240 | 50/60 | 0.07/0.07 | 14/13.5 | 2300/2750 | 17/21 | 0.12/0.18 | 29/33 | 260 |
| SF23080AT | 2082HBL.GN | ○ | 220-240 | 50/60 | 0.07/0.07 | 14/13.5 | 2450/2900 | 18/22 | 0.13/0.19 | 30/34.5 | 260 |

Frame : Aluminum alloy



UNITS:mm



*All model could be customized on voltage or any other requirements to fit your need.

*Specifications subject to change without notice. Please Visit SUNON web site at <http://www.sunon.com> for update information.

80x80x38 mm

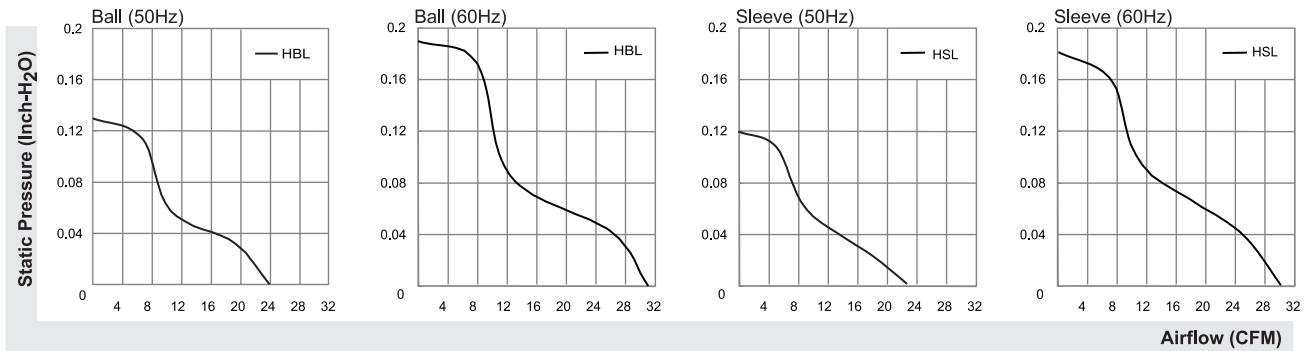
SUNON

23-31 CFM

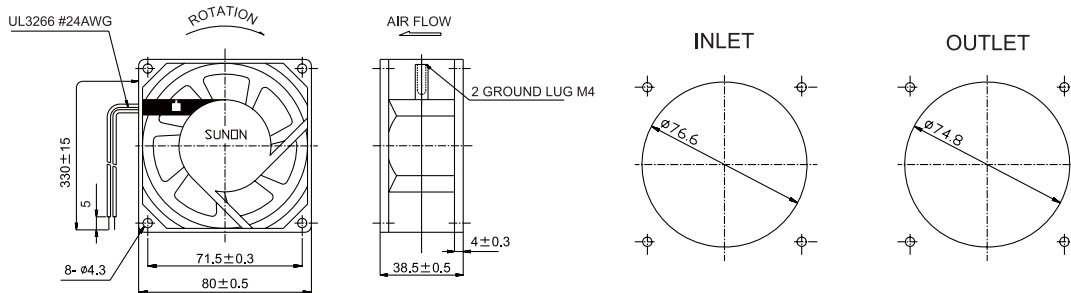


| Model | P/N | Bearing | Rating Voltage (VAC) | Freq. (Hz) | Power Current (AMP) | Power Consumption (WATTS) | Speed (RPM) | Air Flow (CFM) | Static Pressure (Inch-H ₂ O) | Noise (dBA) | Weight (g) |
|----------|------------|------------------------------|----------------------|------------|---------------------|---------------------------|-------------|----------------|---|-------------|------------|
| SF11580A | 1083HSL.GN | ● VAPO ○ BALL ⊙ Sleeve | 115 | 50/60 | 0.15/0.13 | 14/12 | 2300/2750 | 23/30 | 0.12/0.18 | 31/35 | 340 |
| SF11580A | 1083HBL.GN | ○ | 115 | 50/60 | 0.15/0.13 | 14/12 | 2400/2850 | 24/31 | 0.13/0.19 | 32/36.5 | 340 |
| SF23080A | 2083HSL.GN | ⊙ | 220-240 | 50/60 | 0.09/0.08 | 18/16 | 2300/2750 | 23/30 | 0.12/0.18 | 31/35 | 340 |
| SF23080A | 2083HBL.GN | ○ | 220-240 | 50/60 | 0.09/0.08 | 18/16 | 2400/2850 | 24/31 | 0.13/0.19 | 32/36.5 | 340 |

Frame : Aluminum alloy



UNITS:mm



*All model could be customized on voltage or any other requirements to fit your need.

*Specifications subject to change without notice. Please Visit SUNON web site at <http://www.sunon.com> for update information.

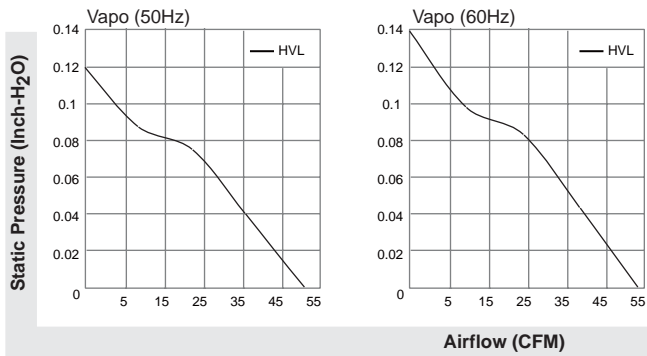
MagLev Motor AC Fan

52-54 CFM

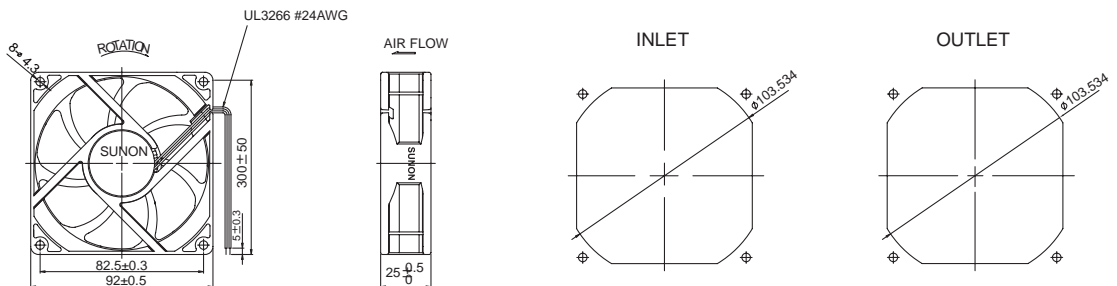


| Model | P/N | Bearing | Rating Voltage (VAC) | Freq. (Hz) | Power Current (AMP) | Power Consumption (WATTS) | Speed (RPM) | Air Flow (CFM) | Static Pressure (Inch-H ₂ O) | Noise (dBA) | Weight (g) |
|------------|-----|------------------------------|----------------------|------------|---------------------|---------------------------|-------------|----------------|---|-------------|------------|
| MA1092-HVL | GN | ● Vapo ○ BALL ○ Sleeve | 115 | 50/60 | 0.114/0.118 | 3.6/3.6 | 2900/3000 | 52/54 | 0.12/0.14 | 31/32 | 119.7 |
| MA2092-HVL | GN | ● | 220-240 | 50/60 | 0.103/0.106 | 4.6/4.6 | 2900/3000 | 52/54 | 0.12/0.14 | 31/32 | 119.7 |

Frame : PBT Plastic



UNITS:mm



*All model could be customized on voltage or any other requirements to fit your need.

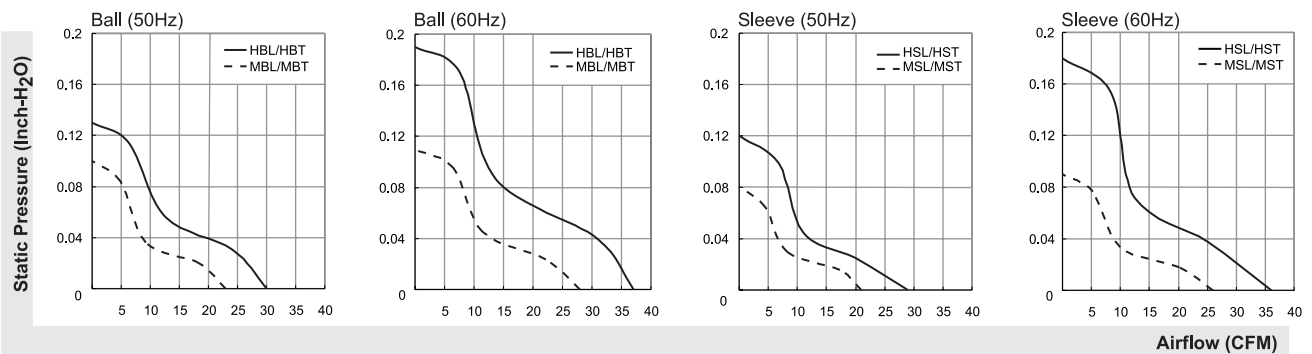
*Specifications subject to change without notice. Please Visit SUNON web site at <http://www.sunon.com> for update information.

21-37 CFM

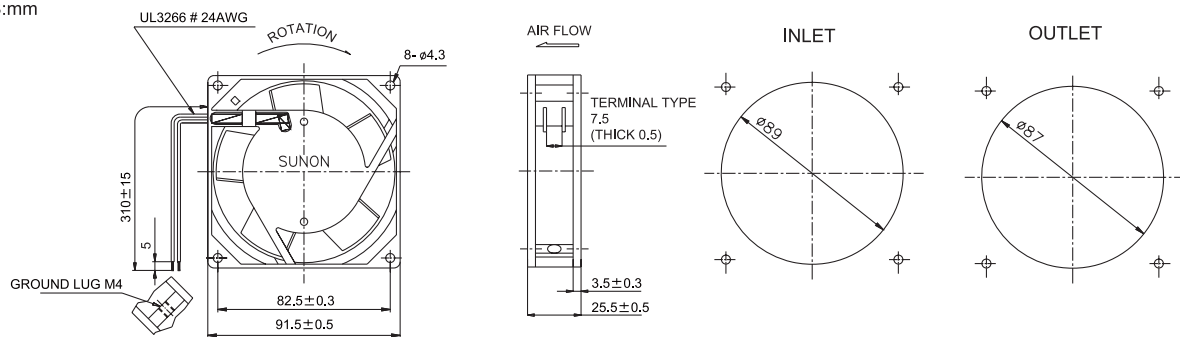


| Model | P/N | Bearing | Rating Voltage (VAC) | Freq. (Hz) | Power Current (AMP) | Power Consumption (WATTS) | Speed (RPM) | Air Flow (CFM) | Static Pressure (Inch-H ₂ O) | Noise (dBA) | Weight (g) |
|----------|------------|----------|----------------------|------------|---------------------|---------------------------|-------------|----------------|---|-------------|------------|
| SF11592A | 1092HSL.GN | ● Vapo | 115 | 50/60 | 0.12/0.11 | 13/12 | 2250/2750 | 29/36 | 0.12/0.18 | 36/39 | 280 |
| SF11592A | 1092HST.GN | ○ Ball | 115 | 50/60 | 0.12/0.11 | 13/12 | 2250/2750 | 29/36 | 0.12/0.18 | 36/39 | 280 |
| SF11592A | 1092MSL.GN | ◎ Sleeve | 115 | 50/60 | 0.06/0.06 | 7/6 | 1550/1700 | 21/26 | 0.08/0.09 | 28/30 | 280 |
| SF11592A | 1092MST.GN | ○ Ball | 115 | 50/60 | 0.06/0.06 | 7/6 | 1550/1700 | 21/26 | 0.08/0.09 | 28/30 | 280 |
| SF11592A | 1092HBL.GN | ○ Ball | 115 | 50/60 | 0.12/0.11 | 13/12 | 2350/2850 | 30/37 | 0.13/0.19 | 37/40 | 280 |
| SF11592A | 1092HBT.GN | ○ Ball | 115 | 50/60 | 0.12/0.11 | 13/12 | 2350/2850 | 30/37 | 0.13/0.19 | 37/40 | 280 |
| SF11592A | 1092MBL.GN | ○ Ball | 115 | 50/60 | 0.07/0.06 | 7/6 | 1800/2100 | 23/28 | 0.10/0.11 | 31/33 | 280 |
| SF11592A | 1092MBT.GN | ○ Ball | 115 | 50/60 | 0.07/0.06 | 7/6 | 1800/2100 | 23/28 | 0.10/0.11 | 31/33 | 280 |
| SF23092A | 2092HSL.GN | ● Vapo | 220-240 | 50/60 | 0.07/0.06 | 14.5/14 | 2250/2750 | 29/36 | 0.12/0.18 | 36/39 | 280 |
| SF23092A | 2092HST.GN | ○ Ball | 220-240 | 50/60 | 0.07/0.06 | 14.5/14 | 2250/2750 | 29/36 | 0.12/0.18 | 36/39 | 280 |
| SF23092A | 2092MSL.GN | ◎ Sleeve | 220-240 | 50/60 | 0.07/0.07 | 15/14 | 2000/2500 | 27/33 | 0.11/0.16 | 32/37 | 280 |
| SF23092A | 2092MST.GN | ○ Ball | 220-240 | 50/60 | 0.07/0.07 | 15/14 | 2000/2500 | 27/33 | 0.11/0.16 | 32/37 | 280 |
| SF23092A | 2092HBL.GN | ○ Ball | 220-240 | 50/60 | 0.07/0.06 | 14.5/14 | 2350/2850 | 30/37 | 0.13/0.19 | 37/40 | 280 |
| SF23092A | 2092HBT.GN | ○ Ball | 220-240 | 50/60 | 0.07/0.06 | 14.5/14 | 2350/2850 | 30/37 | 0.13/0.19 | 37/40 | 280 |
| SF23092A | 2092MBL.GN | ○ Ball | 220-240 | 50/60 | 0.07/0.07 | 15/14 | 2200/2700 | 28/35 | 0.12/0.18 | 35/38 | 280 |
| SF23092A | 2092MBT.GN | ○ Ball | 220-240 | 50/60 | 0.07/0.07 | 15/14 | 2200/2700 | 28/35 | 0.12/0.18 | 35/38 | 280 |

Frame : Aluminum alloy



UNITS:mm



*All model could be customized on voltage or any other requirements to fit your need.

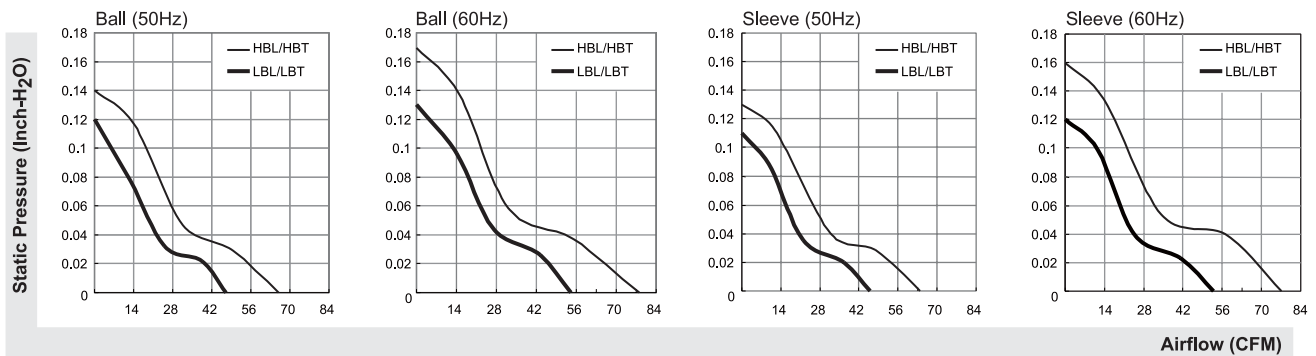
*Specifications subject to change without notice. Please Visit SUNON web site at <http://www.sunon.com> for update information.

46-80 CFM

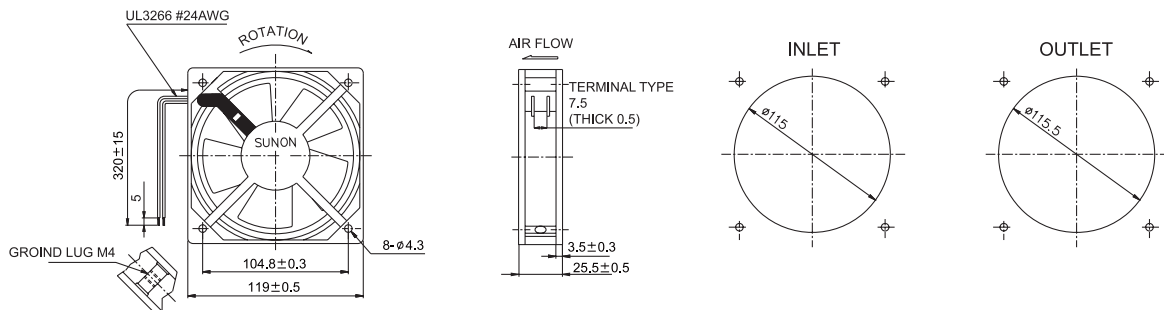


| Model | P/N | Bearing | Rating Voltage (VAC) | Freq. (Hz) | Power Current (AMP) | Power Consumption (WATTS) | Speed (RPM) | Air Flow (CFM) | Static Pressure (Inch-H ₂ O) | Noise (dBA) | Weight (g) |
|---------|------------|----------|----------------------|------------|---------------------|---------------------------|-------------|----------------|---|-------------|------------|
| SP101AT | 1122HSL.GN | ● Vapo | 115 | 50/60 | 0.21/0.19 | 19/18 | 2000/2300 | 64/78 | 0.13/0.16 | 43/46 | 330 |
| SP101AT | 1122HST.GN | ○ BALL | 115 | 50/60 | 0.21/0.19 | 19/18 | 2000/2300 | 64/78 | 0.13/0.16 | 43/46 | 330 |
| SP103AT | 1122LSL.GN | ○ Sleeve | 115 | 50/60 | 0.14/0.13 | 14/13 | 1600/1800 | 46/53 | 0.11/0.12 | 35/38 | 330 |
| SP103AT | 1122LST.GN | ○ Sleeve | 115 | 50/60 | 0.14/0.13 | 14/13 | 1600/1800 | 46/53 | 0.11/0.12 | 35/38 | 330 |
| SP101AT | 1122HBL.GN | ○ | 115 | 50/60 | 0.21/0.19 | 19/18 | 2150/2500 | 66/80 | 0.14/0.17 | 44/48 | 330 |
| SP101AT | 1122HBT.GN | ○ | 115 | 50/60 | 0.21/0.19 | 19/18 | 2150/2500 | 66/80 | 0.14/0.17 | 44/48 | 330 |
| SP103AT | 1122LBL.GN | ○ | 115 | 50/60 | 0.12/0.11 | 12.5/11.5 | 1700/1900 | 47/54 | 0.12/0.13 | 37/40 | 330 |
| SP103AT | 1122LBT.GN | ○ | 115 | 50/60 | 0.12/0.11 | 12.5/11.5 | 1700/1900 | 47/54 | 0.12/0.13 | 37/40 | 330 |

Frame : Aluminum alloy



UNITS:mm



*All model could be customized on voltage or any other requirements to fit your need.

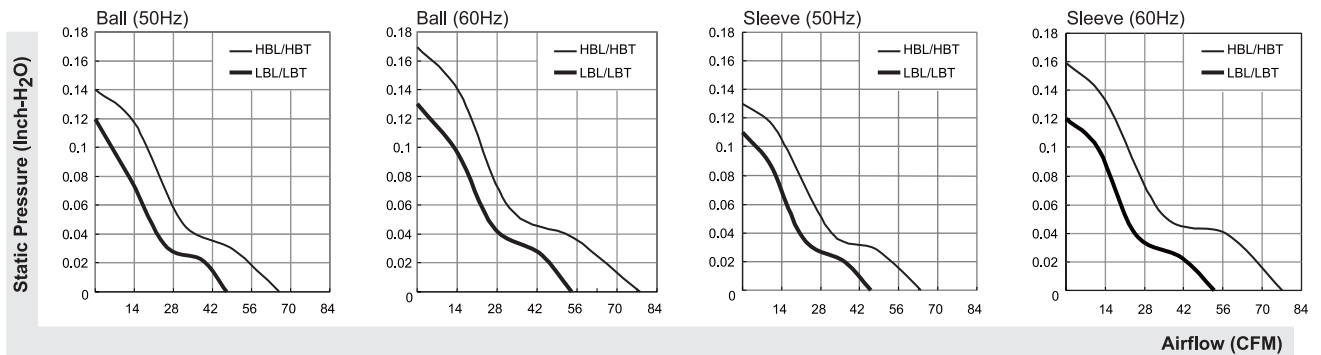
*Specifications subject to change without notice. Please Visit SUNON web site at <http://www.sunon.com> for update information.

46-80 CFM

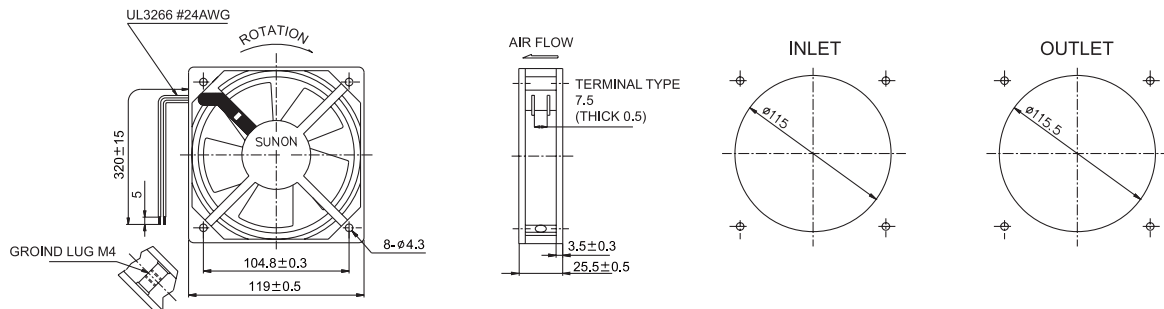


| Model | P/N | Bearing | Rating Voltage (VAC) | Freq. (Hz) | Power Current (AMP) | Power Consumption (WATTS) | Speed (RPM) | Air Flow (CFM) | Static Pressure (Inch-H ₂ O) | Noise (dBA) | Weight (g) |
|---------|------------|-------------------------------|----------------------|------------|---------------------|---------------------------|-------------|----------------|---|-------------|------------|
| DP201AT | 2122HSL.GN | ● VAPOR ○ BALL ◎ Sleeve | 220-240 | 50/60 | 0.10/0.09 | 19/19 | 2000/2300 | 64/78 | 0.13/0.16 | 43/46 | 330 |
| DP201AT | 2122HST.GN | ◎ | 220-240 | 50/60 | 0.10/0.09 | 19/19 | 2000/2300 | 64/78 | 0.13/0.16 | 43/46 | 330 |
| DP203AT | 2122LSL.GN | ◎ | 220-240 | 50/60 | 0.07/0.07 | 14/13 | 1600/1800 | 46/53 | 0.11/0.12 | 35/38 | 330 |
| DP203AT | 2122LST.GN | ◎ | 220-240 | 50/60 | 0.07/0.07 | 14/13 | 1600/1800 | 46/53 | 0.11/0.12 | 35/38 | 330 |
| DP201AT | 2122HBL.GN | ○ | 220-240 | 50/60 | 0.10/0.09 | 19/18 | 2150/2500 | 66/80 | 0.14/0.17 | 44/48 | 330 |
| DP201AT | 2122HBT.GN | ○ | 220-240 | 50/60 | 0.10/0.09 | 19/18 | 2150/2500 | 66/80 | 0.14/0.17 | 44/48 | 330 |
| DP203AT | 2122LBL.GN | ○ | 220-240 | 50/60 | 0.07/0.07 | 14/13 | 1700/1900 | 47/54 | 0.12/0.13 | 37/40 | 330 |
| DP203AT | 2122LBT.GN | ○ | 220-240 | 50/60 | 0.07/0.07 | 14/13 | 1700/1900 | 47/54 | 0.12/0.13 | 37/40 | 330 |

Frame : Aluminum alloy



UNITS:mm



*All model could be customized on voltage or any other requirements to fit your need.

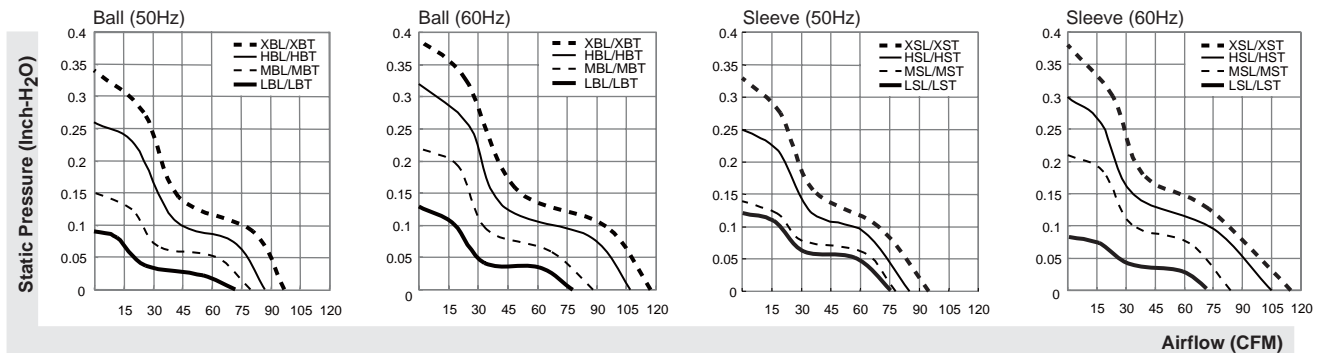
*Specifications subject to change without notice. Please Visit SUNON web site at <http://www.sunon.com> for update information.

70-117 CFM

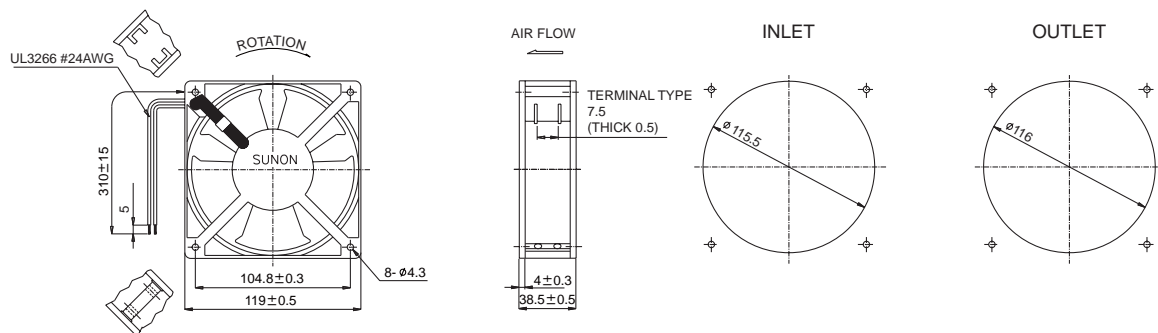


| Model | P/N | Bearing | Rating Voltage (VAC) | Freq. (Hz) | Power Current (AMP) | Power Consumption (WATTS) | Speed (RPM) | Air Flow (CFM) | Static Pressure (Inch-H ₂ O) | Noise (dBA) | Weight (g) |
|--------|------------|-------------------------------|----------------------|------------|---------------------|---------------------------|-------------|----------------|---|-------------|------------|
| SP100A | 1123XSL.GN | ● VAPOR ○ BALL ◎ Sleeve | 115 | 50/60 | 0.26/0.24 | 22/20 | 2700/3100 | 95/115 | 0.33/0.38 | 44/49 | 550 |
| SP100A | 1123XST.GN | ◎ | 115 | 50/60 | 0.26/0.24 | 22/20 | 2700/3100 | 95/115 | 0.33/0.38 | 44/49 | 550 |
| SP101A | 1123HSL.GN | ◎ | 115 | 50/60 | 0.21/0.18 | 20/18 | 2550/2900 | 85/105 | 0.25/0.30 | 43/48 | 550 |
| SP101A | 1123HST.GN | ◎ | 115 | 50/60 | 0.21/0.18 | 20/18 | 2550/2900 | 85/105 | 0.25/0.30 | 43/48 | 550 |
| SP102A | 1123MSL.GN | ◎ | 115 | 50/60 | 0.17/0.16 | 15/15 | 2400/2600 | 78/84 | 0.14/0.21 | 33/38 | 550 |
| SP102A | 1123MST.GN | ◎ | 115 | 50/60 | 0.17/0.16 | 15/15 | 2400/2600 | 78/84 | 0.14/0.21 | 33/38 | 550 |
| SP103A | 1123LSL.GN | ◎ | 115 | 50/60 | 0.11/0.13 | 11/11 | 2200/2000 | 76/70 | 0.12/0.08 | 38/36 | 550 |
| SP103A | 1123LST.GN | ◎ | 115 | 50/60 | 0.11/0.13 | 11/11 | 2200/2000 | 76/70 | 0.12/0.08 | 38/36 | 550 |
| SP100A | 1123XBL.GN | ○ | 115 | 50/60 | 0.26/0.24 | 22/20 | 2850/3150 | 97/117 | 0.34/0.39 | 45/50 | 550 |
| SP100A | 1123XBT.GN | ○ | 115 | 50/60 | 0.26/0.24 | 22/20 | 2850/3150 | 97/117 | 0.34/0.39 | 45/50 | 550 |
| SP101A | 1123HBL.GN | ○ | 115 | 50/60 | 0.21/0.18 | 20/18 | 2750/3050 | 87/107 | 0.26/0.32 | 45/50 | 550 |
| SP101A | 1123HBT.GN | ○ | 115 | 50/60 | 0.21/0.18 | 20/18 | 2750/3050 | 87/107 | 0.26/0.32 | 45/50 | 550 |
| SP102A | 1123MBL.GN | ○ | 115 | 50/60 | 0.17/0.16 | 16/15 | 2500/2700 | 80/88 | 0.15/0.22 | 35/40 | 550 |
| SP102A | 1123MBT.GN | ○ | 115 | 50/60 | 0.17/0.16 | 16/15 | 2500/2700 | 80/88 | 0.15/0.22 | 35/40 | 550 |
| SP103A | 1123LBL.GN | ○ | 115 | 50/60 | 0.13/0.11 | 11/11 | 2150/2300 | 72/78 | 0.09/0.13 | 37/39 | 550 |
| SP103A | 1123LBT.GN | ○ | 115 | 50/60 | 0.13/0.11 | 11/11 | 2150/2300 | 72/78 | 0.09/0.13 | 37/39 | 550 |

Frame : Aluminum alloy



UNITS:mm



*All model could be customized on voltage or any other requirements to fit your need.

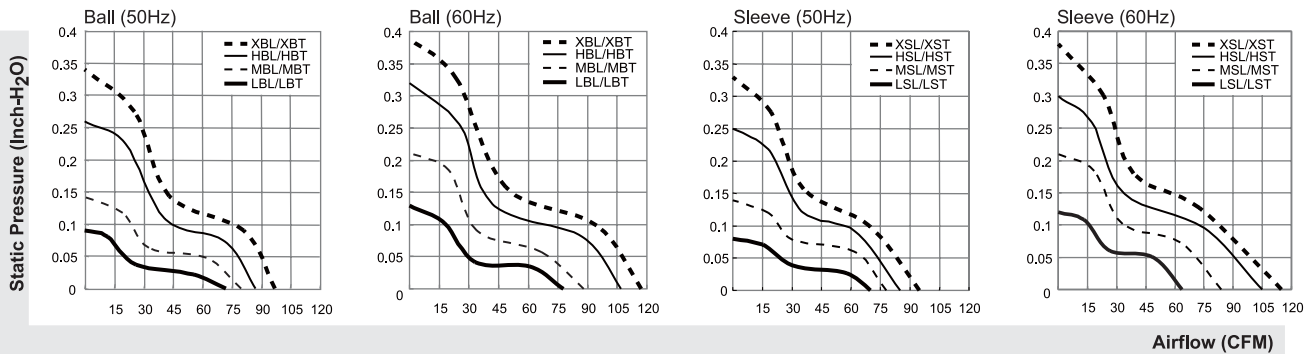
*Specifications subject to change without notice. Please Visit SUNON web site at <http://www.sunon.com> for update information.

70-117 CFM

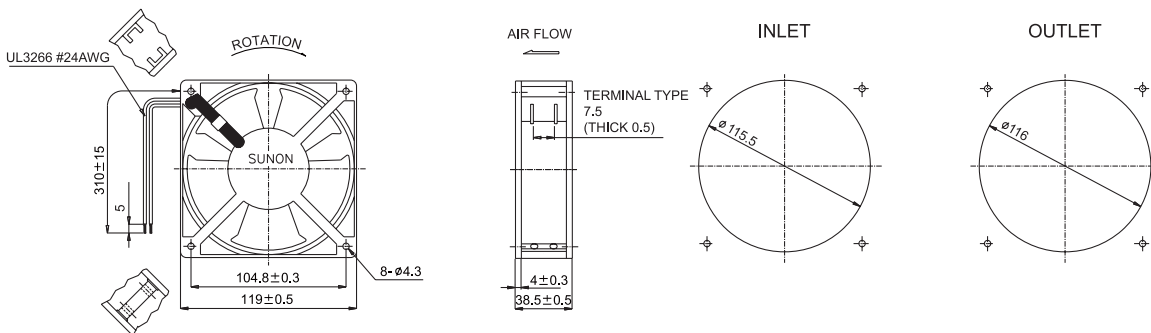


| Model | P/N | Bearing | Rating Voltage (VAC) | Freq. (Hz) | Power Current (AMP) | Power Consumption (WATTS) | Speed (RPM) | Air Flow (CFM) | Static Pressure (Inch-H ₂ O) | Noise (dBA) | Weight (g) |
|--------|------------|---------|----------------------|------------|---------------------|---------------------------|-------------|----------------|---|-------------|------------|
| DP200A | 2123XSL.GN | ● | 220-240 | 50/60 | 0.14/0.12 | 22/21 | 2700/3100 | 95/115 | 0.33/0.38 | 44/49 | 550 |
| DP200A | 2123XST.GN | ○ | 220-240 | 50/60 | 0.14/0.12 | 22/21 | 2700/3100 | 95/115 | 0.33/0.38 | 44/49 | 550 |
| DP201A | 2123HSL.GN | ○ | 220-240 | 50/60 | 0.125/0.11 | 20/19 | 2550/2900 | 85/105 | 0.25/0.30 | 43/48 | 550 |
| DP201A | 2123HST.GN | ○ | 220-240 | 50/60 | 0.125/0.11 | 20/19 | 2550/2900 | 85/105 | 0.25/0.30 | 43/48 | 550 |
| DP202A | 2123MSL.GN | ○ | 220-240 | 50/60 | 0.09/0.08 | 16/15 | 2300/2500 | 78/84 | 0.14/0.21 | 33/38 | 550 |
| DP202A | 2123MST.GN | ○ | 220-240 | 50/60 | 0.09/0.08 | 16/15 | 2300/2500 | 78/84 | 0.14/0.21 | 33/38 | 550 |
| DP203A | 2123LSL.GN | ○ | 220-240 | 50/60 | 0.06/0.05 | 11/10 | 2000/1800 | 70/63 | 0.08/0.07 | 36/32 | 550 |
| DP203A | 2123LST.GN | ○ | 220-240 | 50/60 | 0.06/0.05 | 11/10 | 2000/1800 | 70/63 | 0.08/0.07 | 36/32 | 550 |
| DP200A | 2123XBL.GN | ○ | 220-240 | 50/60 | 0.14/0.12 | 22/21 | 2850/3150 | 97/117 | 0.34/0.39 | 45/50 | 550 |
| DP200A | 2123XBT.GN | ○ | 220-240 | 50/60 | 0.14/0.12 | 22/21 | 2850/3150 | 97/117 | 0.34/0.39 | 45/50 | 550 |
| DP201A | 2123HBL.GN | ○ | 220-240 | 50/60 | 0.125/0.11 | 20/19 | 2750/3050 | 87/107 | 0.26/0.32 | 45/50 | 550 |
| DP201A | 2123HBT.GN | ○ | 220-240 | 50/60 | 0.125/0.11 | 20/19 | 2750/3050 | 87/107 | 0.26/0.32 | 45/50 | 550 |
| DP202A | 2123MBL.GN | ○ | 220-240 | 50/60 | 0.09/0.08 | 16/15 | 2400/2600 | 78/84 | 0.14/0.21 | 34/39 | 550 |
| DP202A | 2123MBT.GN | ○ | 220-240 | 50/60 | 0.09/0.08 | 16/15 | 2400/2600 | 78/84 | 0.14/0.21 | 34/39 | 550 |
| DP203A | 2123LBL.GN | ○ | 220-240 | 50/60 | 0.06/0.05 | 10/10 | 2150/2300 | 72/78 | 0.09/0.13 | 37/39 | 550 |
| DP203A | 2123LBT.GN | ○ | 220-240 | 50/60 | 0.06/0.05 | 10/10 | 2150/2300 | 72/78 | 0.09/0.13 | 37/39 | 550 |

Frame : Aluminum alloy



UNITS:mm



*All model could be customized on voltage or any other requirements to fit your need.

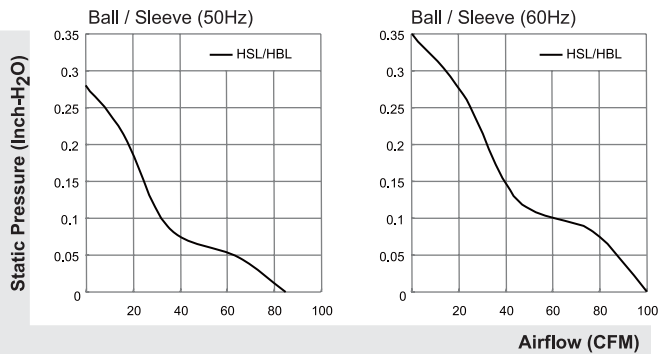
*Specifications subject to change without notice. Please Visit SUNON web site at <http://www.sunon.com> for update information.

85-100 CFM

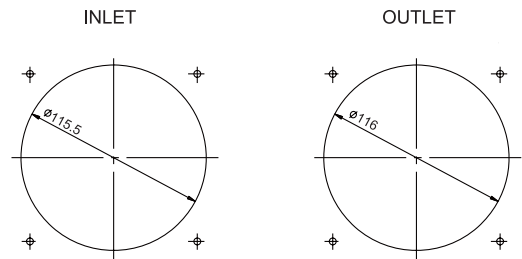
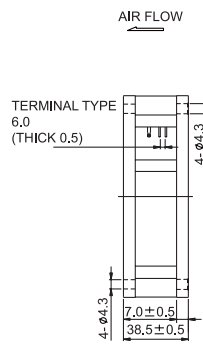
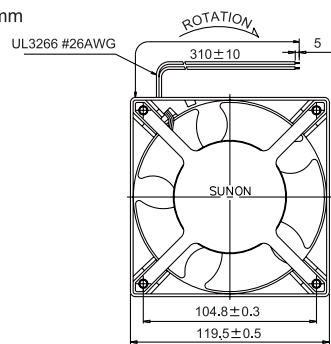


| Model | P/N | Bearing | Rating Voltage (VAC) | Freq. (Hz) | Power Current (AMP) | Power Consumption (WATTS) | Speed (RPM) | Air Flow (CFM) | Static Pressure (Inch-H ₂ O) | Noise (dBA) | Weight (g) |
|---------|------------|----------|----------------------|------------|---------------------|---------------------------|-------------|----------------|---|-------------|------------|
| SP109WR | 1123HST.GN | ● VAPO | 115 | 50/60 | 0.25/0.22 | 22/20 | 2500/2900 | 85/100 | 0.28/0.35 | 41/47 | 465 |
| SP109WR | 1123HSL.GN | ○ BALL | 115 | 50/60 | 0.25/0.22 | 22/20 | 2500/2900 | 85/100 | 0.28/0.35 | 41/47 | 465 |
| SP109WR | 1123HBT.GN | ○ Sleeve | 115 | 50/60 | 0.25/0.22 | 22/20 | 2500/2900 | 85/100 | 0.25/0.30 | 42/48 | 465 |
| SP109WR | 1123HBL.GN | ○ Sleeve | 115 | 50/60 | 0.25/0.22 | 22/20 | 2500/2900 | 85/100 | 0.25/0.30 | 42/48 | 465 |
| DP209WR | 2123HST.GN | ● VAPO | 220-240 | 50/60 | 0.13/0.12 | 22/21 | 2500/2900 | 85/100 | 0.28/0.35 | 41/47 | 465 |
| DP209WR | 2123HSL.GN | ○ BALL | 220-240 | 50/60 | 0.13/0.12 | 22/21 | 2500/2900 | 85/100 | 0.28/0.35 | 41/47 | 465 |
| DP209WR | 2123HBT.GN | ○ Sleeve | 220-240 | 50/60 | 0.13/0.12 | 22/21 | 2500/2900 | 85/100 | 0.25/0.30 | 42/48 | 465 |
| DP209WR | 2123HBL.GN | ○ Sleeve | 220-240 | 50/60 | 0.13/0.12 | 22/21 | 2500/2900 | 85/100 | 0.25/0.30 | 42/48 | 465 |

Frame : PBT Plastic



UNITS:mm



*All model could be customized on voltage or any other requirements to fit your need.

*Specifications subject to change without notice. Please Visit SUNON web site at <http://www.sunon.com> for update information.

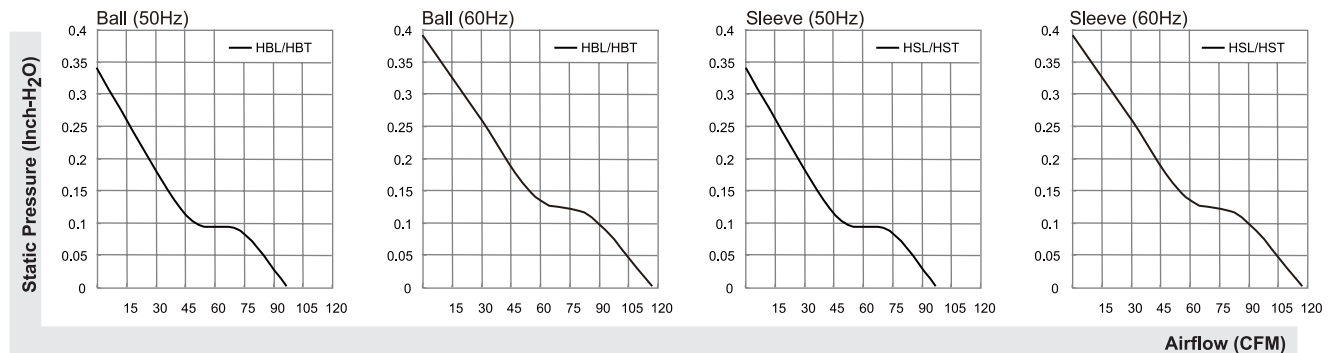
NEW



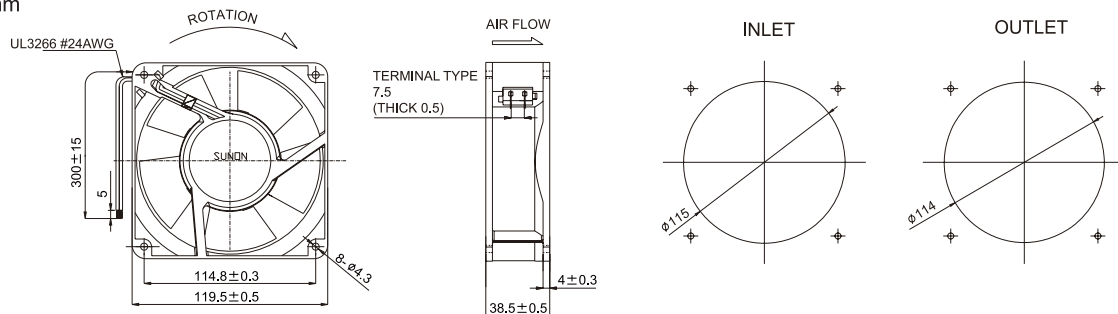
95-117 CFM

| Model | P/N | Bearing | Rating Voltage (VAC) | Freq. (Hz) | Power Current (AMP) | Power Consumption (WATTS) | Speed (RPM) | Air Flow (CFM) | Static Pressure (Inch-H ₂ O) | Noise (dBA) | Weight (g) |
|-----------|-----|---------|----------------------|------------|---------------------|---------------------------|-------------|----------------|---|-------------|------------|
| A1123-HST | GN | ⊙ | 115 | 50/60 | 0.28/0.25 | 23/20 | 2700/3100 | 95/115 | 0.33/0.38 | 44/49 | 525 |
| A1123-HSL | GN | ⊙ | 115 | 50/60 | 0.28/0.25 | 23/20 | 2700/3100 | 95/115 | 0.33/0.38 | 44/49 | 525 |
| A1123-HBT | GN | ○ | 115 | 50/60 | 0.28/0.25 | 23/20 | 2700/3100 | 97/117 | 0.34/0.39 | 45/50 | 525 |
| A1123-HBL | GN | ○ | 115 | 50/60 | 0.28/0.25 | 23/20 | 2700/3100 | 97/117 | 0.34/0.39 | 45/50 | 525 |
| A2123-HST | GN | ⊙ | 220-240 | 50/60 | 0.14/0.12 | 23/20 | 2700/3100 | 95/115 | 0.33/0.38 | 44/49 | 525 |
| A2123-HSL | GN | ⊙ | 220-240 | 50/60 | 0.14/0.12 | 23/20 | 2700/3100 | 95/115 | 0.33/0.38 | 44/49 | 525 |
| A2123-HBT | GN | ○ | 220-240 | 50/60 | 0.14/0.12 | 23/20 | 2700/3100 | 97/117 | 0.34/0.39 | 45/50 | 525 |
| A2123-HBL | GN | ○ | 220-240 | 50/60 | 0.14/0.12 | 23/20 | 2700/3100 | 97/117 | 0.34/0.39 | 45/50 | 525 |

Frame : Aluminum alloy



UNITS:mm



*All model could be customized on voltage or any other requirements to fit your need.

*Specifications subject to change without notice. Please Visit SUNON web site at <http://www.sunon.com> for update information.

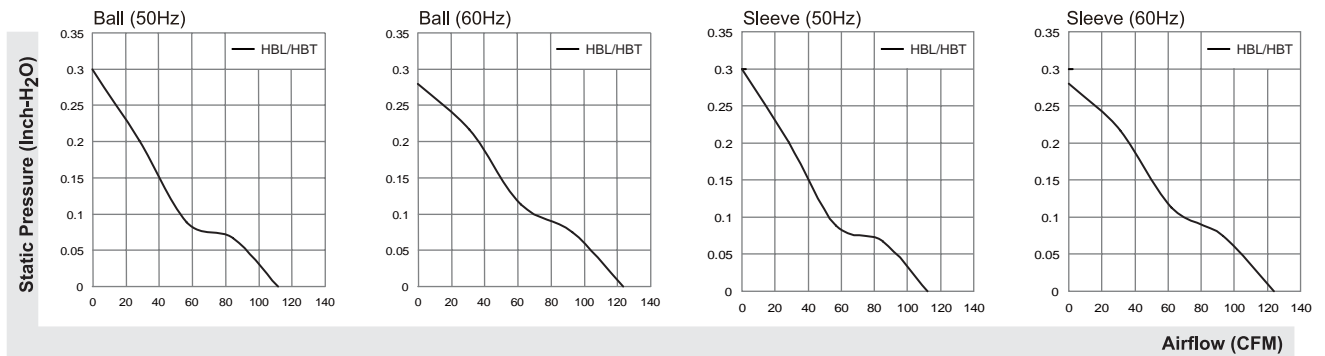
High Air Flow

112-124 CFM

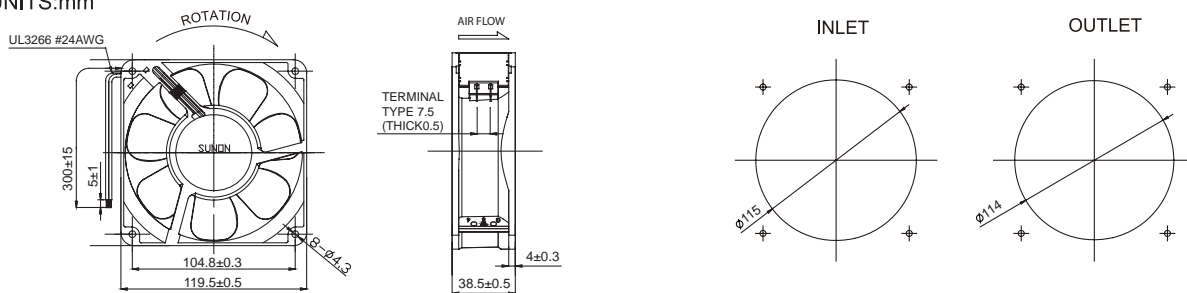


| Model | P/N | Bearing | Rating Voltage (VAC) | Freq. (Hz) | Power Current (AMP) | Power Consumption (WATTS) | Speed (RPM) | Air Flow (CFM) | Static Pressure (Inch-H ₂ O) | Noise (dBA) | Weight (g) |
|-----------|--------|----------|----------------------|------------|---------------------|---------------------------|-------------|----------------|---|-------------|------------|
| A1123-HST | (7).GN | ● VAPO | 115 | 50/60 | 0.28/0.25 | 23/21 | 2500/2750 | 112/124 | 0.30/0.28 | 43/46 | 525 |
| A1123-HSL | (7).GN | ○ BALL | 115 | 50/60 | 0.28/0.25 | 23/21 | 2500/2750 | 112/124 | 0.30/0.28 | 43/46 | 525 |
| A1123-HBT | (7).GN | ⊙ Sleeve | 115 | 50/60 | 0.28/0.25 | 23/21 | 2500/2750 | 112/124 | 0.30/0.28 | 44/47 | 525 |
| A1123-HBL | (7).GN | ○ BALL | 115 | 50/60 | 0.28/0.25 | 23/21 | 2500/2750 | 112/124 | 0.30/0.28 | 44/47 | 525 |
| A2123-HST | (7).GN | ● VAPO | 230 | 50/60 | 0.14/0.12 | 24/22 | 2500/2750 | 112/124 | 0.30/0.28 | 43/46 | 525 |
| A2123-HSL | (7).GN | ○ BALL | 230 | 50/60 | 0.14/0.12 | 24/22 | 2500/2750 | 112/124 | 0.30/0.28 | 43/46 | 525 |
| A2123-HBT | (7).GN | ⊙ Sleeve | 230 | 50/60 | 0.14/0.12 | 24/22 | 2500/2750 | 112/124 | 0.30/0.28 | 44/47 | 525 |
| A2123-HBL | (7).GN | ○ BALL | 230 | 50/60 | 0.14/0.12 | 24/22 | 2500/2750 | 112/124 | 0.30/0.28 | 44/47 | 525 |

Frame : Aluminum alloy



UNITS:mm



*All model could be customized on voltage or any other requirements to fit your need.

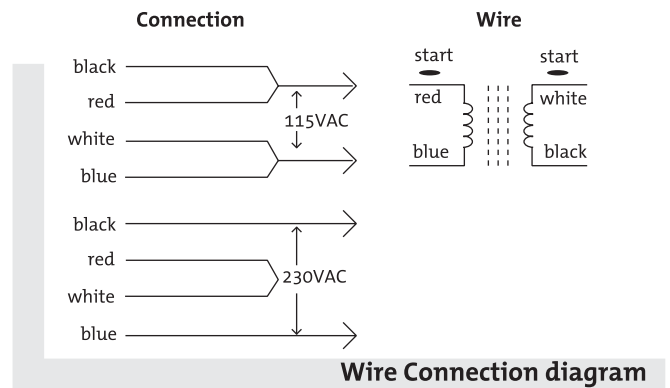
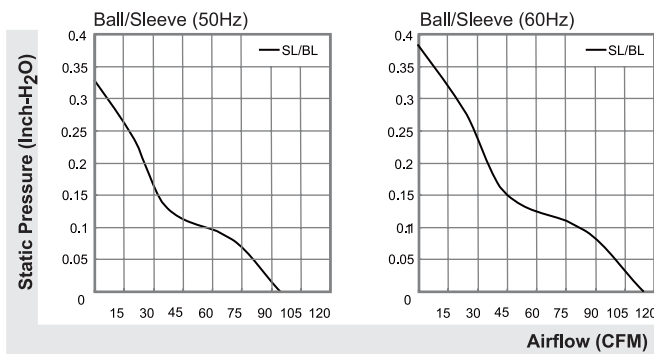
*Specifications subject to change without notice. Please Visit SUNON web site at <http://www.sunon.com> for update information.

Dual AC Voltage 95-115 CFM

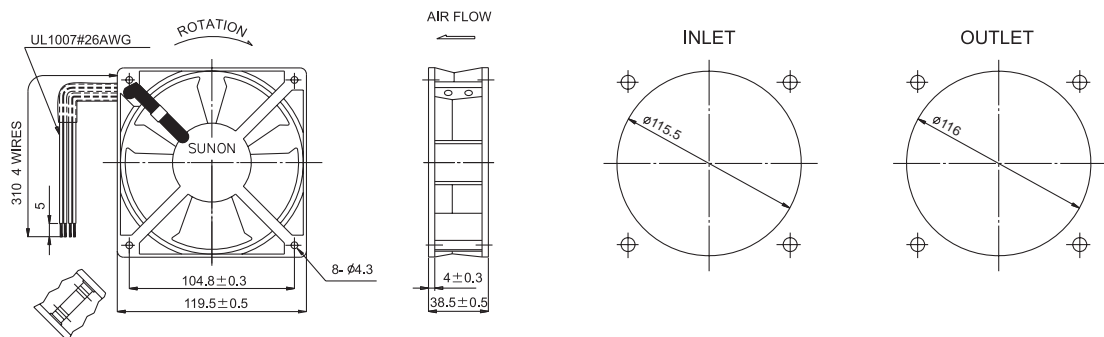


| Model | P/N | Bearing | Rating Voltage (VAC) | Freq. (Hz) | Power Current (AMP) | Power Consumption (WATTS) | Speed (RPM) | Air Flow (CFM) | Static Pressure (Inch-H ₂ O) | Noise (dBA) | Weight (g) |
|----------|-------|----------|----------------------|------------|---------------------|---------------------------|-------------|----------------|---|-------------|------------|
| SF1212AD | SL.GN | ● VAPO | 115 | 50/60 | 0.27/0.24 | 21.5/19 | 2700/3100 | 95/115 | 0.33/0.38 | 44/49 | 550 |
| | | ○ BALL | 220-240 | 50/60 | 0.13/0.12 | 19.5/19 | 2700/3100 | 95/115 | 0.33/0.38 | 44/49 | 550 |
| SF1212AD | BL.GN | ○ BALL | 115 | 50/60 | 0.27/0.24 | 21.5/19 | 2700/3100 | 95/115 | 0.33/0.38 | 44/49 | 550 |
| | | ● Sleeve | 220-240 | 50/60 | 0.13/0.12 | 19.5/19 | 2700/3100 | 95/115 | 0.33/0.38 | 44/49 | 550 |

Frame : Aluminum alloy



UNITS:mm



*All model could be customized on voltage or any other requirements to fit your need.

*Specifications subject to change without notice. Please Visit SUNON web site at <http://www.sunon.com> for update information.

120X120X38 mm

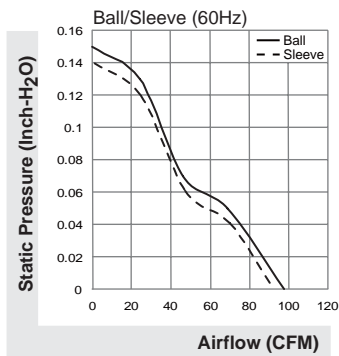
SUNON

90~98CFM

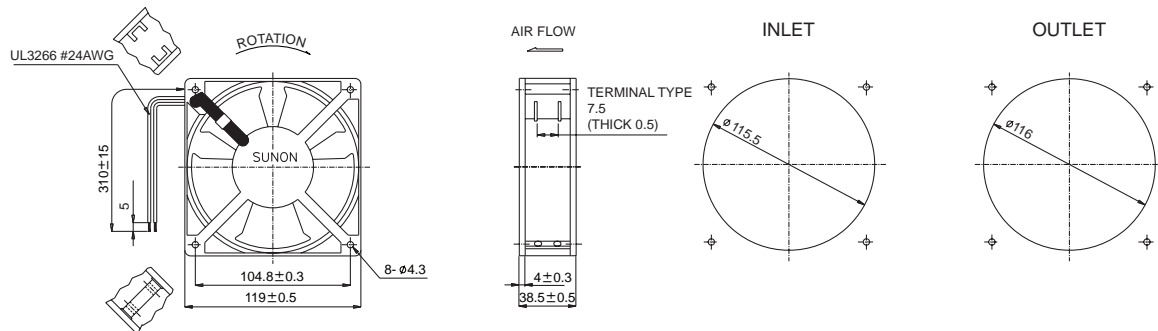


| Model | P/N | Bearing | Rating Voltage (VAC) | Freq. (Hz) | Power Current (AMP) | Power Consumption (WATTS) | Speed (RPM) | Air Flow (CFM) | Static Pressure (Inch-H ₂ O) | Noise (dBA) | Weight (g) |
|----------|-----|------------------------------|----------------------|------------|---------------------|---------------------------|-------------|----------------|---|-------------|------------|
| SF207A/S | GN | ● VAP0 ○ BALL ◎ Sleeve | 24 | 60 | 0.7 | 12 | 2400 | 90 | 0.14 | 43 | 550 |
| SF207A/B | GN | ○ | 24 | 60 | 0.7 | 11 | 2600 | 98 | 0.15 | 47 | 550 |

Frame : Aluminum alloy



UNITS:mm



*All model could be customized on voltage or any other requirements to fit your need.

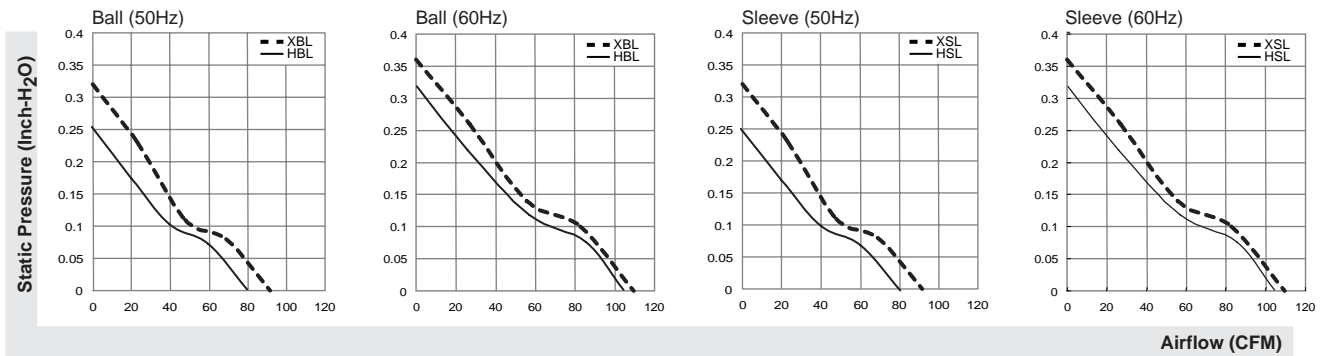
*Specifications subject to change without notice. Please Visit SUNON web site at <http://www.sunon.com> for update information.

Skeleton AC Fan 80~110CFM

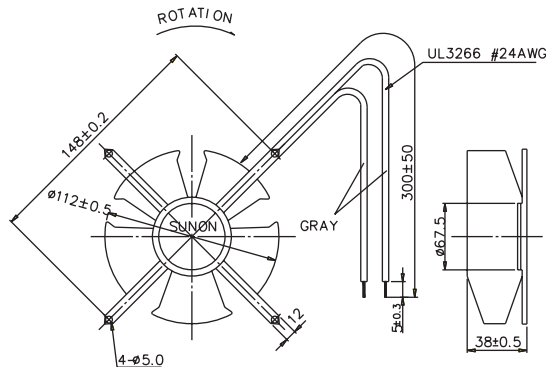


| Model | P/N | Bearing | Rating Voltage (VAC) | Freq. (Hz) | Power Current (AMP) | Power Consumption (WATTS) | Speed (RPM) | Air Flow (CFM) | Static Pressure (Inch-H ₂ O) | Noise (dBA) | Weight (g) |
|----------|------------|----------|----------------------|------------|---------------------|---------------------------|-------------|----------------|---|-------------|------------|
| SP100-4F | 1123XSL.GN | ● VAP0 | 115 | 50/60 | 0.26/0.24 | 22/20 | 2600/3000 | 92/110 | 0.32/0.36 | 43/48 | 435 |
| SP100-4F | 1123XBL.GN | ○ BALL | 115 | 50/60 | 0.26/0.24 | 22/20 | 2600/3000 | 92/110 | 0.32/0.36 | 45/50 | 435 |
| SP101-4F | 1123HSL.GN | ◎ Sleeve | 115 | 50/60 | 0.21/0.18 | 20/18 | 2550/2900 | 80/105 | 0.25/0.32 | 39/45 | 435 |
| SP101-4F | 1123HBL.GN | ○ BALL | 115 | 50/60 | 0.21/0.18 | 20/18 | 2550/2900 | 80/105 | 0.25/0.32 | 41/47 | 435 |
| DP200-4F | 2123XSL.GN | ● VAP0 | 220/240 | 50/60 | 0.14/0.12 | 22/21 | 2600/3000 | 92/110 | 0.32/0.36 | 43/48 | 435 |
| DP200-4F | 2123XBL.GN | ○ BALL | 220/240 | 50/60 | 0.14/0.12 | 22/21 | 2600/3000 | 92/110 | 0.32/0.36 | 45/50 | 435 |
| DP201-4F | 2123HSL.GN | ◎ Sleeve | 220/240 | 50/60 | 0.125/0.11 | 20/19 | 2550/2900 | 80/105 | 0.25/0.32 | 39/45 | 435 |
| DP201-4F | 2123HBL.GN | ○ BALL | 220/240 | 50/60 | 0.125/0.11 | 20/19 | 2550/2900 | 80/105 | 0.25/0.32 | 41/47 | 435 |

Frame : Aluminum alloy



UNITS:mm



*All model could be customized on voltage or any other requirements to fit your need.

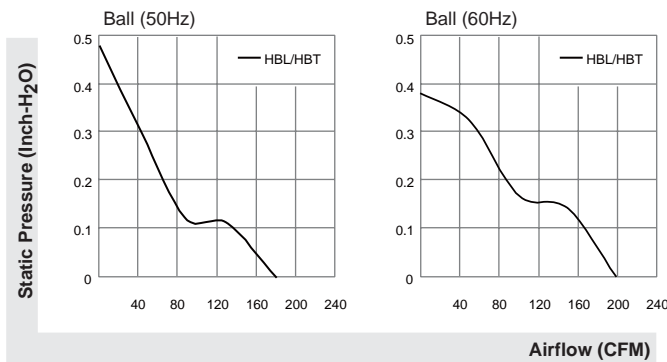
*Specifications subject to change without notice. Please Visit SUNON web site at <http://www.sunon.com> for update information.

180-200 CFM

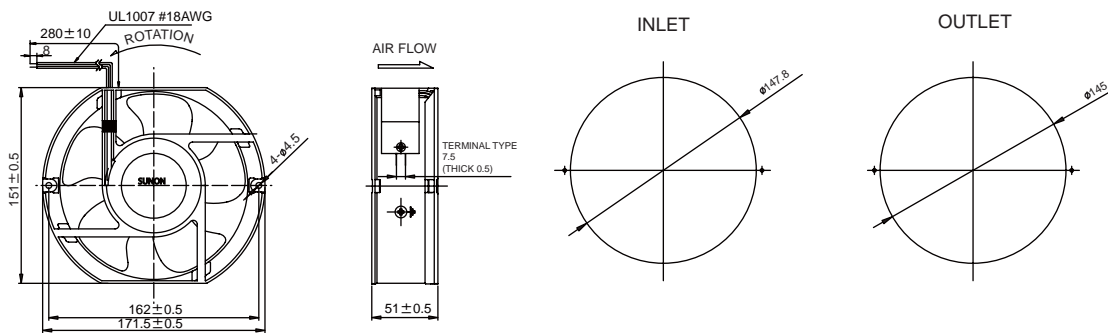


| Model | P/N | Bearing | Rating Voltage (VAC) | Freq. (Hz) | Power Current (AMP) | Power Consumption (WATTS) | Speed (RPM) | Air Flow (CFM) | Static Pressure (Inch-H ₂ O) | Noise (dBA) | Weight (g) |
|-----------|------|---------|----------------------|------------|---------------------|---------------------------|-------------|----------------|---|-------------|------------|
| A1175-HBL | T.GN | ○ | 115 | 50/60 | 0.59/0.48 | 39/36 | 2650/2950 | 180/200 | 0.48/0.38 | 52/55 | 957 |
| A1175-HBT | T.GN | ○ | 115 | 50/60 | 0.59/0.48 | 39/36 | 2650/2950 | 180/200 | 0.48/0.38 | 52/55 | 957 |
| A2175-HBL | T.GN | ○ | 220-240 | 50/60 | 0.28/0.24 | 39/36 | 2650/2950 | 180/200 | 0.48/0.38 | 52/55 | 957 |
| A2175-HBT | T.GN | ○ | 220-240 | 50/60 | 0.28/0.24 | 39/36 | 2650/2950 | 180/200 | 0.48/0.38 | 52/55 | 957 |

Frame : Aluminum alloy



UNITS:mm



*All model could be customized on voltage or any other requirements to fit your need.

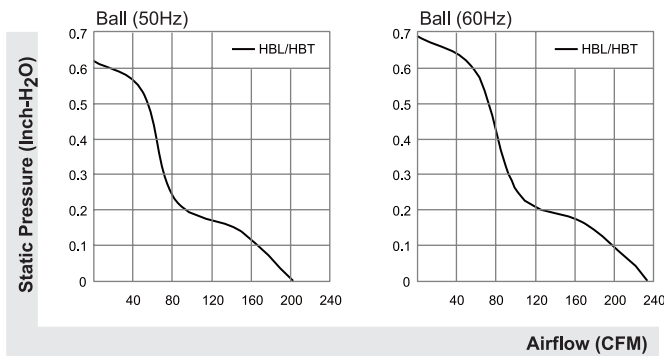
*Specifications subject to change without notice. Please Visit SUNON web site at <http://www.sunon.com> for update information.

Alveolate Motor 203-239 CFM

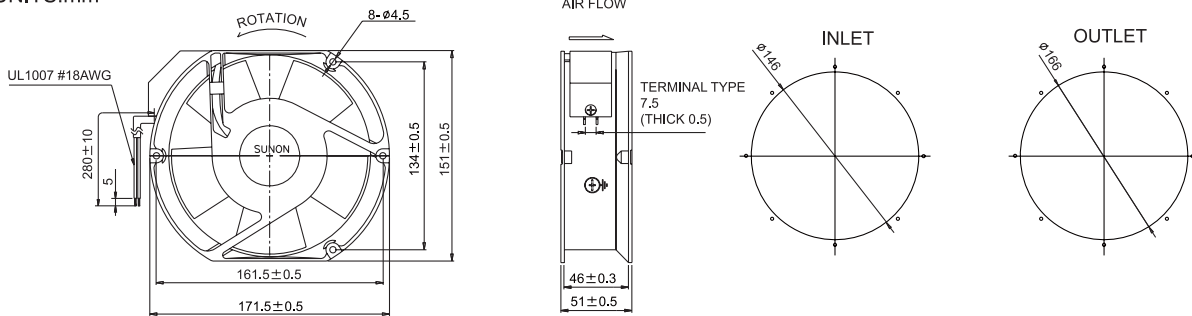


| Model | P/N | Bearing | Rating Voltage (VAC) | Freq. (Hz) | Power Current (AMP) | Power Consumption (WATTS) | Speed (RPM) | Air Flow (CFM) | Static Pressure (Inch-H ₂ O) | Noise (dBA) | Weight (g) |
|-----------|-------|---------|----------------------|------------|---------------------|---------------------------|-------------|----------------|---|-------------|------------|
| A1175-HBL | TC.GN | ○ | 115 | 50/60 | 0.22/0.23 | 25/27 | 2800/3200 | 203/239 | 0.62/0.69 | 51/58 | 908 |
| A1175-HBT | TC.GN | ○ | 115 | 50/60 | 0.22/0.23 | 25/27 | 2800/3200 | 203/239 | 0.62/0.69 | 51/58 | 908 |
| A2175-HBL | TC.GN | ○ | 220-240 | 50/60 | 0.11/0.11 | 25/26 | 2800/3200 | 203/239 | 0.62/0.69 | 51/58 | 908 |
| A2175-HBT | TC.GN | ○ | 220-240 | 50/60 | 0.11/0.11 | 25/26 | 2800/3200 | 203/239 | 0.62/0.69 | 51/58 | 908 |

Frame : Aluminum alloy



UNITS:mm



*All model could be customized on voltage or any other requirements to fit your need.

*Specifications subject to change without notice. Please Visit SUNON web site at <http://www.sunon.com> for update information.

Ø 171X51 mm

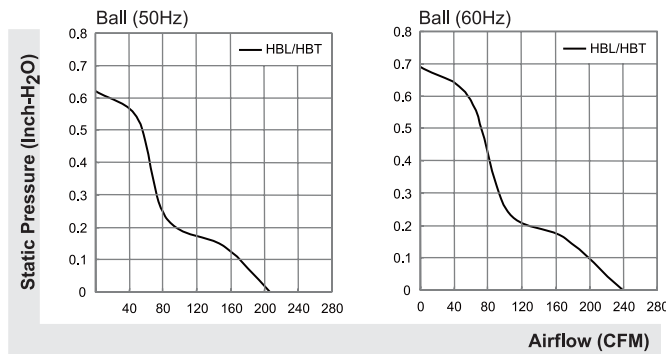
SUNON

Alveolate Motor
203-239 CFM

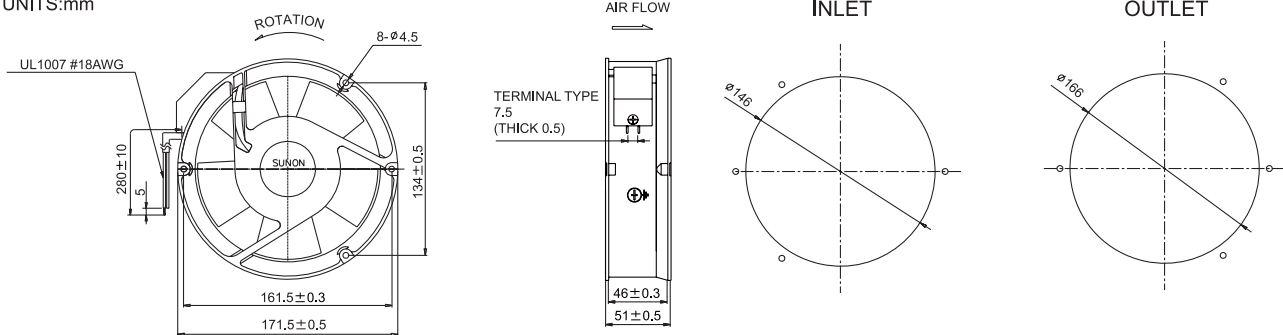


| Model | P/N | Bearing | Rating Voltage (VAC) | Freq. (Hz) | Power Current (AMP) | Power Consumption (WATTS) | Speed (RPM) | Air Flow (CFM) | Static Pressure (Inch-H ₂ O) | Noise (dBA) | Weight (g) |
|-----------|---------|---------|----------------------|------------|---------------------|---------------------------|-------------|----------------|---|-------------|------------|
| A1175-HBL | TC.R.GN | ○ | 115 | 50/60 | 0.22/0.23 | 25/27 | 2800/3200 | 203/239 | 0.62/0.69 | 51/58 | 908 |
| A1175-HBT | TC.R.GN | ○ | 115 | 50/60 | 0.22/0.23 | 25/27 | 2800/3200 | 203/239 | 0.62/0.69 | 51/58 | 908 |
| A2175-HBL | TC.R.GN | ○ | 220-240 | 50/60 | 0.11/0.11 | 25/26 | 2800/3200 | 203/239 | 0.62/0.69 | 51/58 | 908 |
| A2175-HBT | TC.R.GN | ○ | 220-240 | 50/60 | 0.11/0.11 | 25/26 | 2800/3200 | 203/239 | 0.62/0.69 | 51/58 | 908 |

Frame : Aluminum alloy



UNITS:mm



*All model could be customized on voltage or any other requirements to fit your need.

*Specifications subject to change without notice. Please Visit SUNON web site at <http://www.sunon.com> for update information.

176x176x89 mm

SUNON

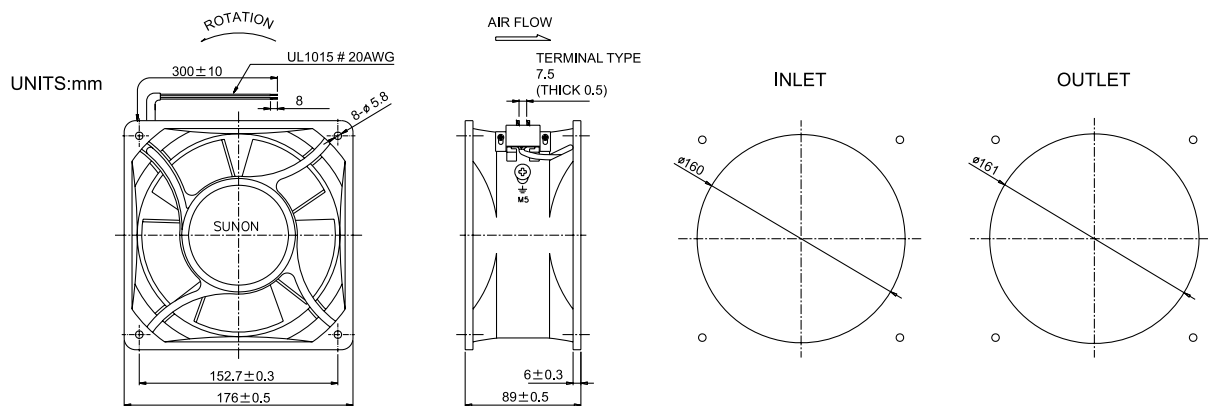
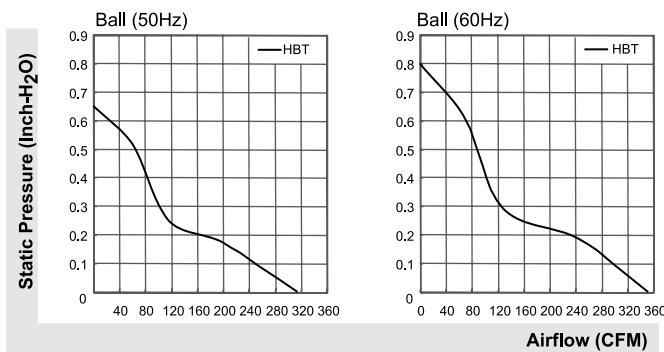
Alveolate Motor

315-335CFM



| Model | P/N | Bearing | Rating Voltage (VAC) | Freq. (Hz) | Power Current (AMP) | Power Consumption (WATTS) | Speed (RPM) | Air Flow (CFM) | Static Pressure (Inch-H ₂ O) | Noise (dBA) | Weight (g) |
|-----------|-------|---------|----------------------|------------|---------------------|---------------------------|-------------|----------------|---|-------------|------------|
| A1179-HBT | TC.GN | ○ | 115 | 50/60 | 0.25/0.27 | 24/30 | 2800/3250 | 315/335 | 0.65/0.8 | 62/66 | 1960 |
| A1179-HBL | TC.GN | ○ | 115 | 50/60 | 0.25/0.27 | 24/30 | 2800/3250 | 315/335 | 0.65/0.8 | 62/66 | 1960 |
| A2179-HBT | TC.GN | ○ | 220-240 | 50/60 | 0.11/0.15 | 23/30 | 2800/3250 | 315/335 | 0.65/0.8 | 62/66 | 1960 |
| A2179-HBL | TC.GN | ○ | 220-240 | 50/60 | 0.11/0.15 | 23/30 | 2800/3250 | 315/335 | 0.65/0.8 | 62/66 | 1960 |

Frame : Aluminum alloy



*All model could be customized on voltage or any other requirements to fit your need.

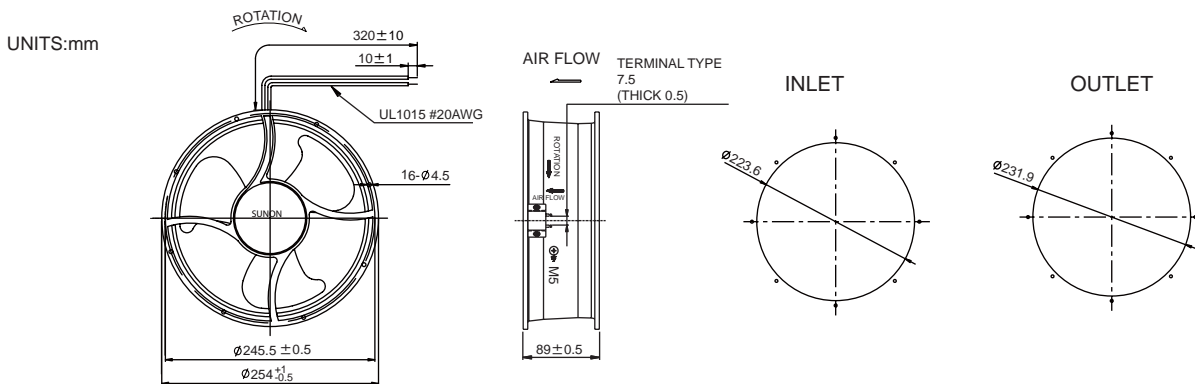
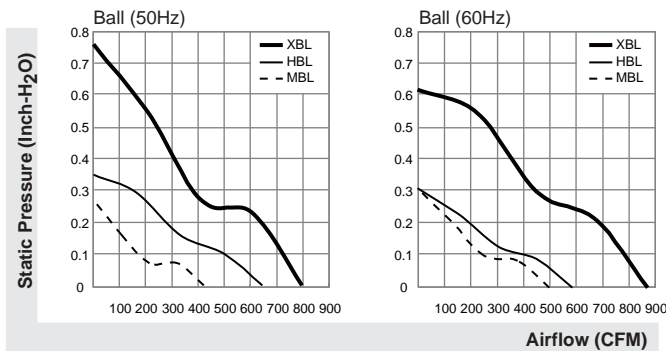
*Specifications subject to change without notice. Please Visit SUNON web site at <http://www.sunon.com> for update information.

Alveolate Motor 425-870 CFM



| Model | P/N | Bearing | Rating Voltage (VAC) | Freq. (Hz) | Power Current (AMP) | Power Consumption (WATTS) | Speed (RPM) | Air Flow (CFM) | Static Pressure (Inch-H ₂ O) | Noise (dBA) | Weight (g) |
|-----------|---------|---------|----------------------|------------|---------------------|---------------------------|-------------|----------------|---|-------------|------------|
| A1259-MBL | TC.N.GN | ○ | 115 | 50/60 | 0.23/0.23 | 20/23 | 1400/1600 | 425/500 | 0.27/0.31 | 54/57 | 2300 |
| A1259-MBT | TC.N.GN | ○ | 115 | 50/60 | 0.23/0.23 | 20/23 | 1400/1600 | 425/500 | 0.27/0.31 | 54/57 | 2300 |
| A1259-HBL | TC.N.GN | ○ | 115 | 50/60 | 0.60/0.65 | 63/72 | 2100/1900 | 650/585 | 0.35/0.31 | 62/60 | 2300 |
| A1259-HBT | TC.N.GN | ○ | 115 | 50/60 | 0.60/0.65 | 63/72 | 2100/1900 | 650/585 | 0.35/0.31 | 62/60 | 2300 |
| A1259-XBL | TC.N.GN | ○ | 115 | 50/60 | 0.83/1.10 | 88/120 | 2600/2900 | 800/870 | 0.76/0.62 | 68/70 | 2400 |
| A1259-XBT | TC.N.GN | ○ | 115 | 50/60 | 0.83/1.10 | 88/120 | 2600/2900 | 800/870 | 0.76/0.62 | 68/70 | 2400 |
| A2259-MBL | TC.N.GN | ○ | 220-240 | 50/60 | 0.15/0.13 | 23/30 | 1400/1600 | 425/500 | 0.27/0.31 | 54/57 | 2300 |
| A2259-MBT | TC.N.GN | ○ | 220-240 | 50/60 | 0.15/0.13 | 23/30 | 1400/1600 | 425/500 | 0.27/0.31 | 54/57 | 2300 |
| A2259-HBL | TC.N.GN | ○ | 220-240 | 50/60 | 0.24/0.27 | 56/60 | 2100/1900 | 650/585 | 0.35/0.31 | 62/60 | 2300 |
| A2259-HBT | TC.N.GN | ○ | 220-240 | 50/60 | 0.24/0.27 | 56/60 | 2100/1900 | 650/585 | 0.35/0.31 | 62/60 | 2300 |

Frame : Aluminum alloy



*All model could be customized on voltage or any other requirements to fit your need.

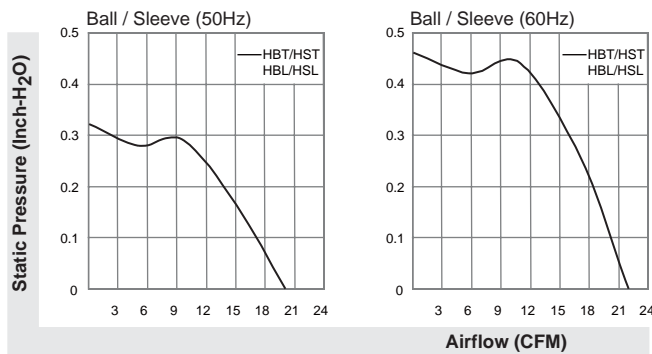
*Specifications subject to change without notice. Please Visit SUNON web site at <http://www.sunon.com> for update information.

20-22 CFM

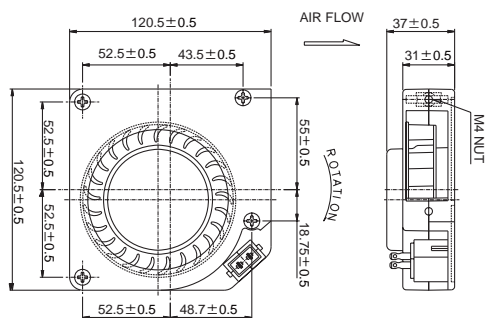


| Model | P/N | Bearing ● VAPO ○ BALL ⊙ Sleeve | Rating Voltage (VAC) | Freq. (Hz) | Power Current (AMP) | Power Consumption (WATTS) | Speed (RPM) | Air Flow (CFM) | Static Pressure (Inch-H ₂ O) | Noise (dBA) | Weight (g) |
|------------|-----|---|----------------------------|---------------|---------------------------|---------------------------------|----------------|----------------------|---|----------------|---------------|
| | | | | | | | | | | | |
| AB1123-HST | GN | ⊙ | 115 | 50/60 | 0.25/0.21 | 20/18 | 2600/2900 | 20/22 | 0.32/0.46 | 48/50 | 678 |
| AB1123-HSL | GN | ⊙ | 115 | 50/60 | 0.25/0.21 | 20/18 | 2600/2900 | 20/22 | 0.32/0.46 | 48/50 | 678 |
| AB1123-HBT | GN | ○ | 115 | 50/60 | 0.25/0.21 | 20/18 | 2600/2900 | 20/22 | 0.32/0.46 | 48/50 | 678 |
| AB1123-HBL | GN | ○ | 115 | 50/60 | 0.25/0.21 | 20/18 | 2600/2900 | 20/22 | 0.32/0.46 | 48/50 | 678 |
| AB2123-HST | GN | ⊙ | 220-240 | 50/60 | 0.14/0.11 | 20/18 | 2600/2900 | 20/22 | 0.32/0.46 | 48/50 | 678 |
| AB2123-HSL | GN | ⊙ | 220-240 | 50/60 | 0.14/0.11 | 20/18 | 2600/2900 | 20/22 | 0.32/0.46 | 48/50 | 678 |
| AB2123-HBT | GN | ○ | 220-240 | 50/60 | 0.14/0.11 | 20/18 | 2600/2900 | 20/22 | 0.32/0.46 | 48/50 | 678 |
| AB2123-HBL | GN | ○ | 220-240 | 50/60 | 0.14/0.11 | 20/18 | 2600/2900 | 20/22 | 0.32/0.46 | 48/50 | 678 |

Frame : Aluminum alloy



UNITS:mm



*All model could be customized on voltage or any other requirements to fit your need.

*Specifications subject to change without notice. Please Visit SUNON web site at <http://www.sunon.com> for update information.

Headquarters:

Sunonwealth Electric Machine Industry Co., Ltd.

No. 30, Lane 296, Hsin Ya Road, Chien-Chen District, Kaohsiung, Taiwan

TEL : +886-7-8135888

FAX : +886-7-8230505/8230606/8231010

URL: <http://www.sunon.com>

E-mail: sunon@email.sunon.com.tw

Sunon Inc. (U.S.A.)

1075 West Lambert Road Suite A, Brea, California 92821, U.S.A

TEL : +1-714-255-0208

FAX : +1-714-255-0802

URL: <http://www.sunonusa.com>

E-mail : info@sunon.com

Sunon SAS (Europe)

Parc Medicis, 66, Ave Des Pepinieres 94832, Fresnes Cedex-France

TEL : +33-1-46154515

FAX : +33-1-46154510

URL: <http://www.sunoneurope.com>

E-mail : info@sunoneurope.com

Sunon Corporation (Japan)

Stork Minami Otsuka 4Fl.33-1, 2 Chome,

Minami Otsuka Toshimaku, Tokyo, Japan 170-0005

TEL : +81-3-5395-3069

FAX: +81-3-5395-3080

URL: <http://www.sunon.co.jp>

E-mail : info@sunon.co.jp

Sunon Technologies Pte Ltd. (Singapore)

10 Toh Guan Road, #03-08 TT International Tradepark, Singapore 608838

TEL : +65-6795-0300

FAX : +65-6795-0600

E-mail : info@sunon.com.sg

Sunonwealth Electric Machine Industry (HK) Ltd. (Hong Kong)

1210 Grand City Plaza, 1 Sai Lau Kok Road, Tsuen Wan, Hong Kong, China

TEL : + 852-24-111-388

FAX : + 852-24-050-707

E-mail : info@sunon.com.hk

Sunon Shanghai Office (Shanghai, China)

TEL : +86-021-54070116

FAX : +86-021-54070116

URL: <http://www.sunon.com.cn>

Sunon Shen Zhen Office (Shen Zhen, China)

TEL : +86-755-26880688

FAX : +86-755-26880288

E-mail : info@sunon.com.cn

Sunon Guangzhou Office (Guangzhou, China)

TEL : +86-20-87788928

FAX : +86-20-87786786