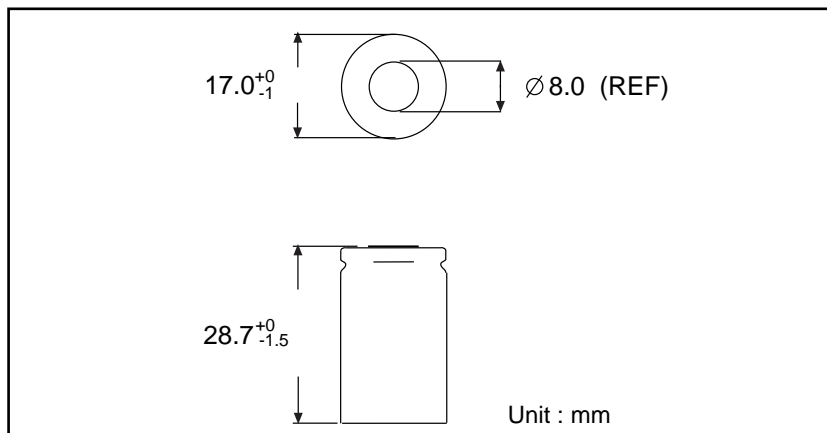


GP Batteries

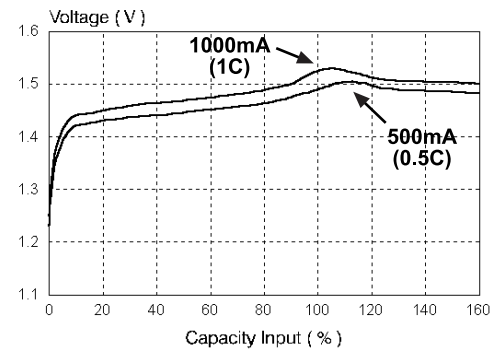
Data Sheet

Model No.: GP100AFH

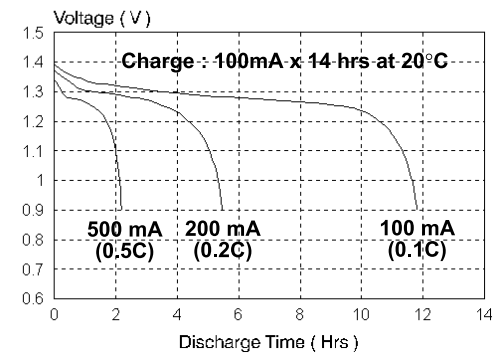
Type	: Rechargeable Nickel Metal Hydride Cylindrical Cell
Nominal Dimension (with Sleeve)	: $\Phi = 17.0^{+0}_{-1}$ mm H = $28.7^{+0}_{-1.5}$ mm
Applications	: Recommended discharge current 100 to 3000mA
Nominal Voltage	: 1.2V
Nominal Capacity	: 1000 mAh when discharge at 200 mA to 1.0V at 20°C
Charging Condition	: 110mA for 14 hrs at 20°C
Fast Charge	: 500 mA to 1000 mA (0.5C to 1C) with charge termination control Recommended control parameters: - ΔV : 0 - 5 mV dT/dt : 0.8°C/min (0.5C to 0.9C) : 0.8 - 1°C/min (1C) TCO : 45 - 50°C Timer : 105% nominal input
Service Life	: >500 cycles (IEC standard)
Continuous Overcharge	: 100 mA maximum permissible current No conspicuous deformation and/or leakage
Weight	: 22.0 g
Internal Resistance	: Average 33 m Ω upon fully charged range 29 - 39 m Ω at 1000 Hz
Max. Charging Voltage	: 1.5V at 100 mA charging
Ambient Temperature Range	: Standard Charging : 0°C to 45°C Fast Charging : 10°C to 45°C Discharging : -20°C to 50°C Storage : -20°C to 35°C



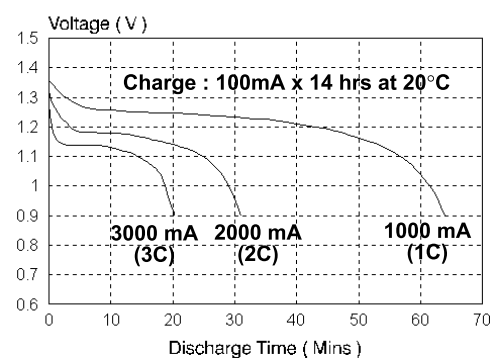
Fast Charge (Charge control required)



Low Rate Discharge



High Rate Discharge



* The information (subject to change without prior notice) contained in this document is for reference only and should not be used as a basis for product guarantee or warranty. For applications other than those described here, please consult your nearest GP Sales and Marketing Office or Distributors.