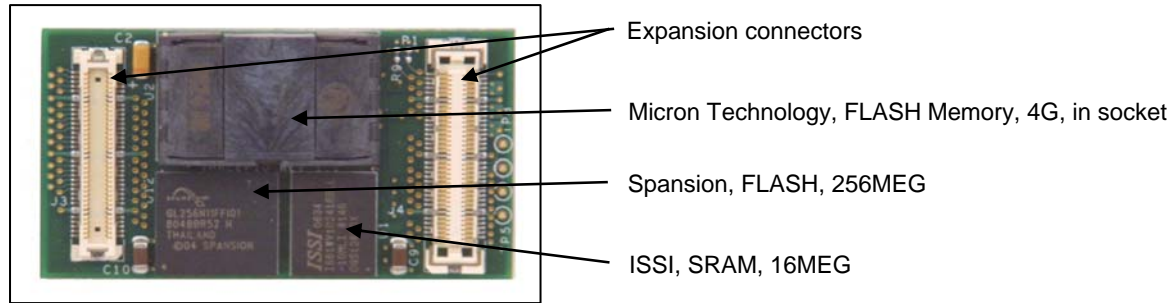


3.3V Memory Card



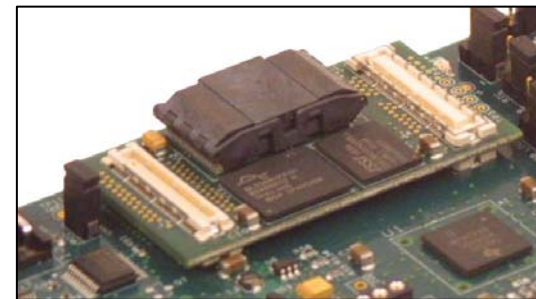
Top View 3.3V Memory Card

Compatibility: C5505 EVM

TI Part #: TMDSMCD5505

TI Price: \$ 149.00 USD

Size: 1.99 x 1.07" (50.55 x 27.18mm)



3.3V Memory Card Mounted on C5505 EVM

TI Third Party Network
Member

