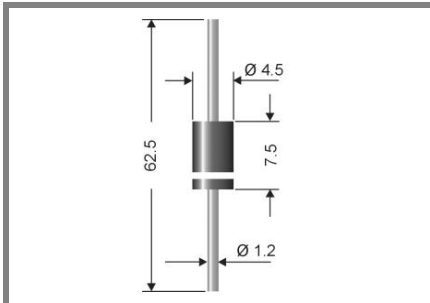


1N 5400...1N 5408



Axial lead diode

Standard silicon rectifier diodes

1N 5400...1N 5408

Forward Current: 3 A

Reverse Voltage: 50 to 1000 V

Features

- Max. solder temperature: 260°C
- Plastic material has UL classification 94V-0

Mechanical Data

- Plastic case DO-201
- Weight approx.: 1 g
- Terminals: plated terminals solderable per MIL-STD-750
- Mounting position: any
- Standard packaging: 1700 pieces per ammo

1) Valid, if leads are kept at ambient temperature at a distance of 10 mm from case

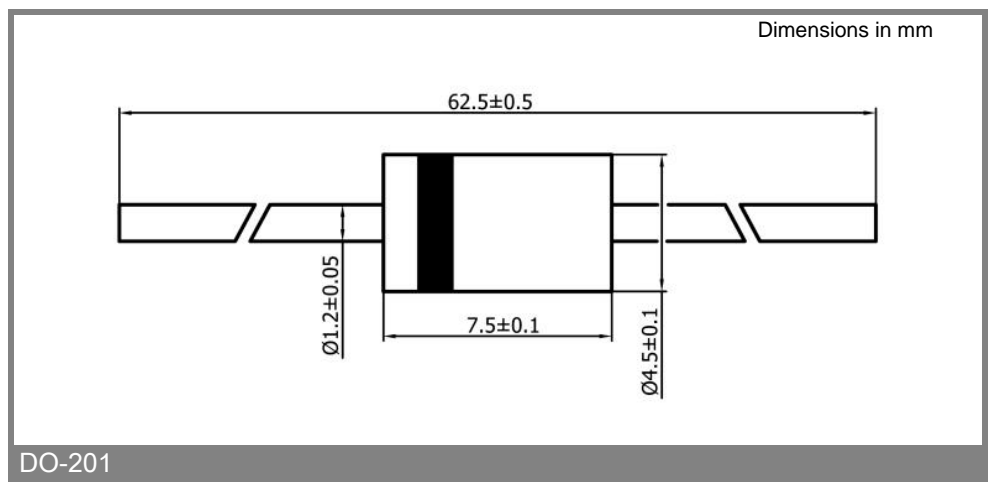
2) $I_F = 3A$, $T_J = 25^\circ C$

3) $T_A = 25^\circ C$

Type	Repetitive peak reverse voltage V_{RRM} V	Surge peak reverse voltage V_{RSM} V	Max. reverse recovery time $I_F = -A$ $I_R = -A$ $I_{RR} = -A$ t_{rr} ns	Max. forward voltage $V_F^{(2)}$
1N 5400	50	50	-	1,2
1N 5401	100	100	-	1,2
1N 5402	200	200	-	1,2
1N 5403	300	300	-	1,2
1N 5404	400	400	-	1,2
1N 5405	500	500	-	1,2
1N 5406	600	600	-	1,2
1N 5407	800	800	-	1,2
1N 5408	1000	1000	-	1,2

Absolute Maximum Ratings		$T_c = 25^\circ C$, unless otherwise specified	
Symbol	Conditions	Values	Units
I_{FAV}	Max. averaged fwd. current, R-load, $T_A = 50^\circ C$ ¹⁾	3	A
I_{FRM}	Repetitive peak forward current $f > 15 Hz$ ¹⁾	30	A
I_{FSM}	Peak forward surge current 50 Hz half sinus-wave ³⁾	100	A
i^2t	Rating for fusing, $t < 10 ms$ ³⁾	50	A ² s
R_{thA}	Max. thermal resistance junction to ambient ¹⁾	25	K/W
R_{thT}	Max. thermal resistance junction to terminals ¹⁾	-	K/W
T_j	Operating junction temperature	-50...+175	°C
T_s	Storage temperature	-50...+175	°C

Characteristics		$T_c = 25^\circ C$, unless otherwise specified	
Symbol	Conditions	Values	Units
I_R	Maximum leakage current, $T_j = 25^\circ C$; $V_R = V_{RRM}$	<10	μA
	$T_j = ^\circ C$; $V_R = V_{RRM}$		
C_j	Typical junction capacitance (at MHz and applied reverse voltage of V)	-	pF
Q_{rr}	Reverse recovery charge ($U_R = V$; $I_F = A$; $di_F/dt = A/ms$)	-	μC
E_{RSM}	Non repetitive peak reverse avalanche energy ($I_R = mA$; $T_j = ^\circ C$; inductive load switched off)	-	mJ



DO-201

