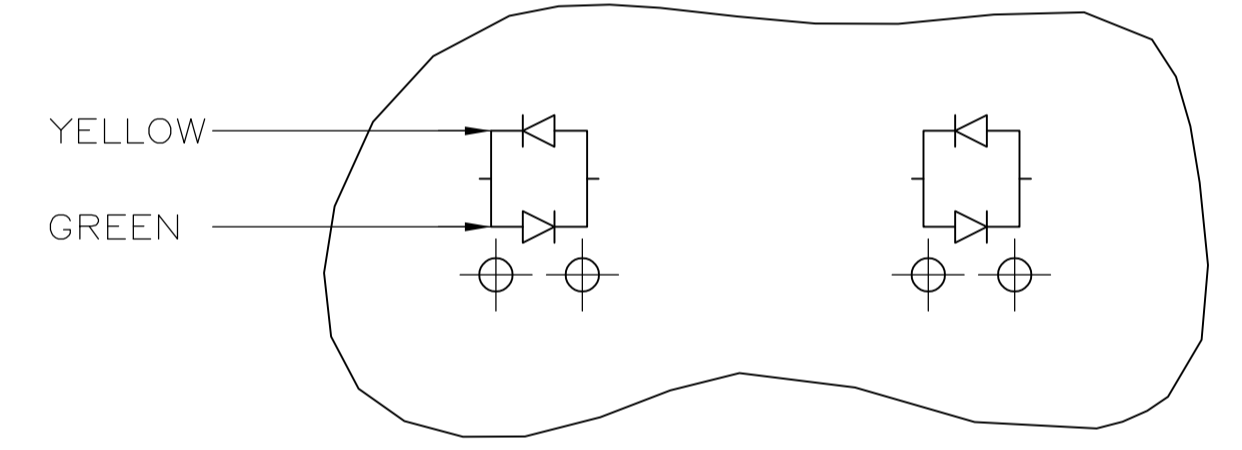
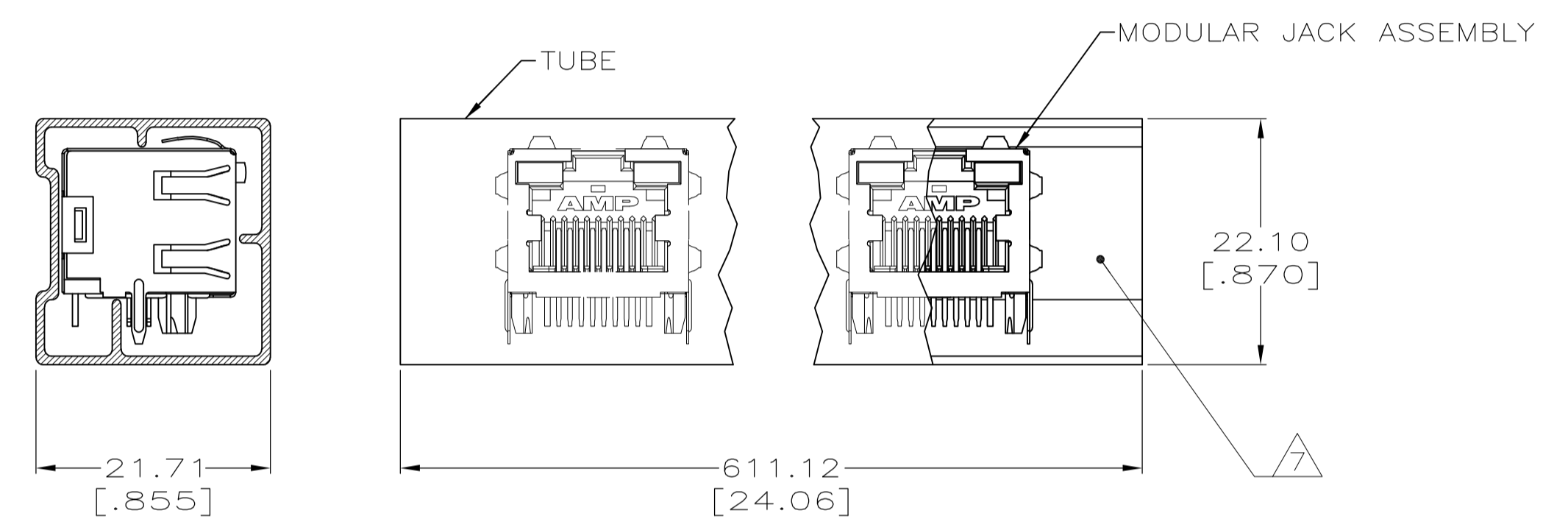
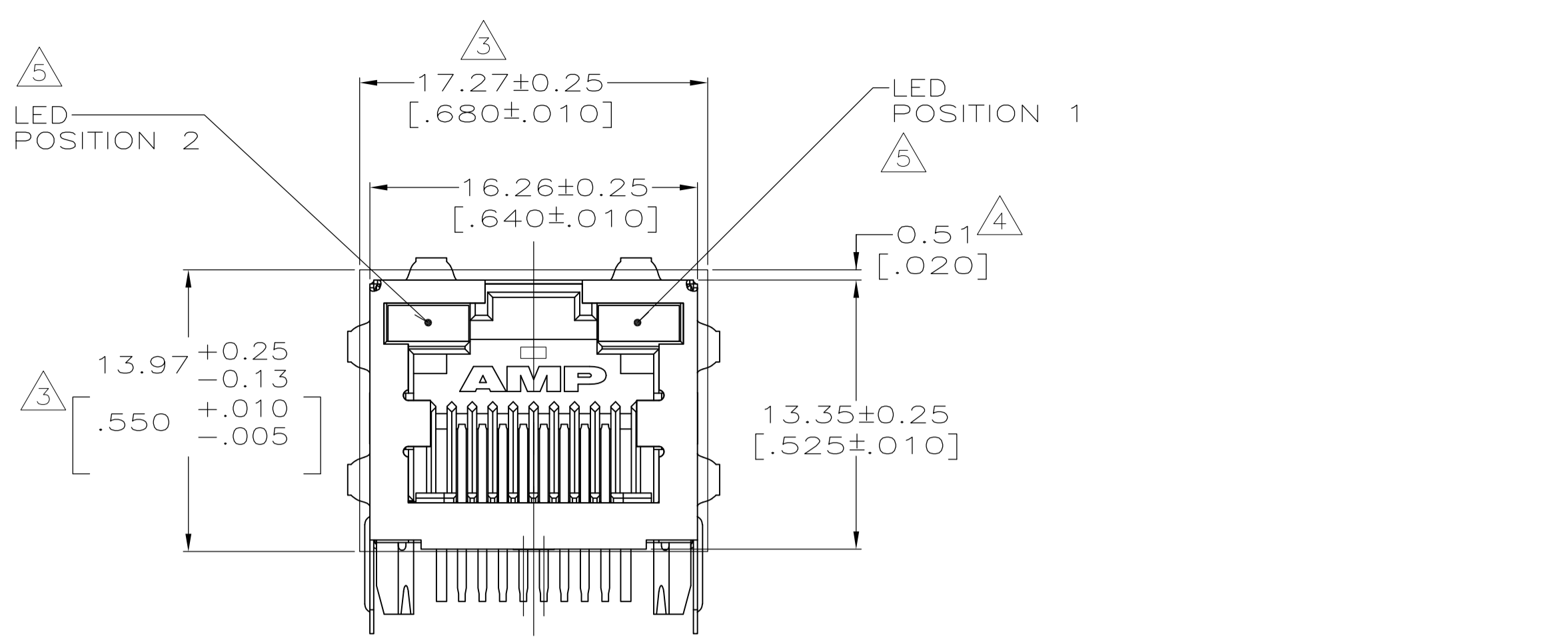
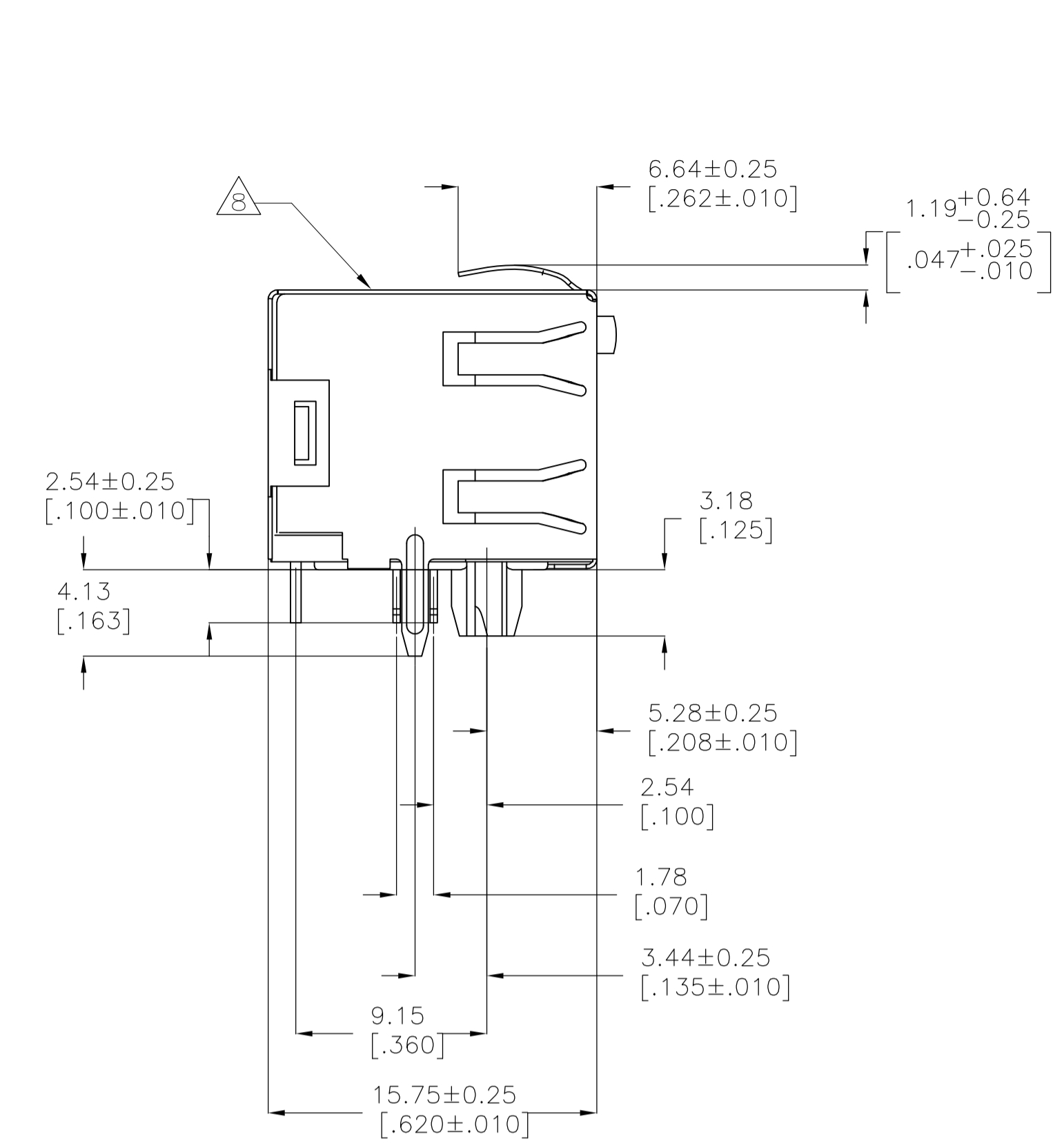
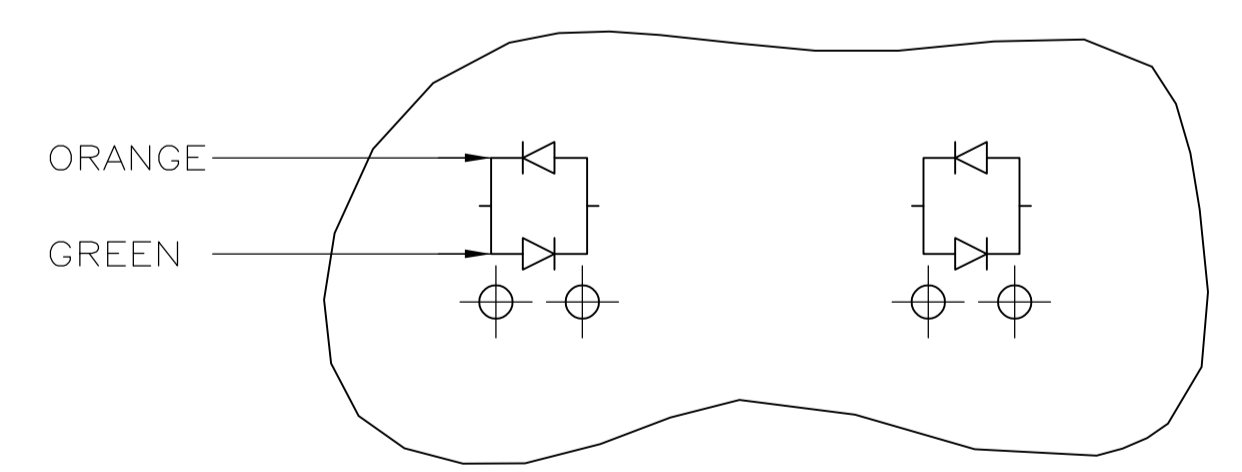


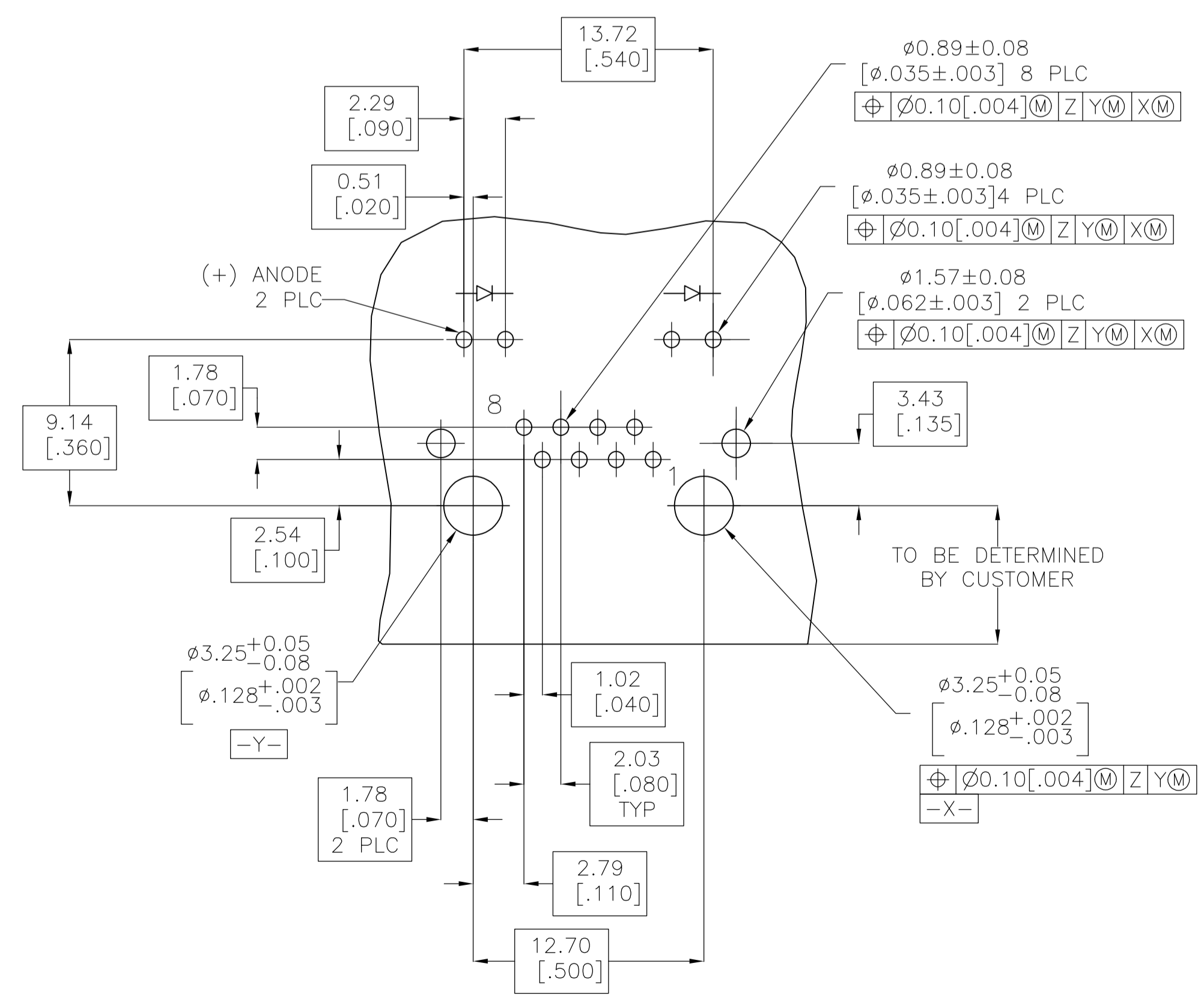
LOC		DIST		REVISIONS			
AA	00	REV	DESCRIPTION	DATE	BY	CHK	APPV
		R5	REVISED ECR-09-012920	06JUN2009	TY	SY	
		R6	REVISED PER ECO-09-021826	12SEP09	KK	AEG	



LED CURRENT DIAGRAM
 406549-8, 2-406549-8
 (R5)



LED CURRENT DIAGRAM
 2-406549-7 ONLY
 (R5)



RECOMMENDED PRINTED CIRCUIT BOARD LAYOUT
 (COMPONENT SIDE)

- 1 MATERIAL: HOUSING - HIGH TEMPERATURE THERMOPLASTIC, BLACK, UL94V-0. TERMINALS - 0.36[.014] THICK PHOS BRONZE PLATED WITH 3.81µm[.000150] MINIMUM THICK (SEE P/N TABLE) IN SOLDER AREA. 1.27µm[.000050] MINIMUM GOLD IN LOCALIZED PLATE AREA. ENTIRE TERMINAL PLATED WITH 1.27µm[.000050] MINIMUM THICK NICKEL. SHIELD - 0.196[.0077] THICK COPPER ZINC ALLOY PREPLATED WITH 1.27µm[.000050] MINIMUM SATIN NICKEL WITH 2.03µm[.000080] MINIMUM TIN POST DIPPED ON PCB GROUND TABS. LIGHT EMITTING DIODE (LED) - DIFFUSED EPOXY LENS, 0.51 x 0.51[.020 x .020] CARBON STEEL WIREFRAME LEADS PLATED WITH 8.89µm[.000350] TIN/COPPER OVER 2.03[.000080] SILVER OVER 1.02µm[.000040] NICKEL UNDERPLATE OVER 1.02µm[.000040] COPPER UNDERPLATE.
- 2. JACK CAVITY CONFORMS TO FCC RULES AND REGULATIONS PART 68, SUBPART F.
- 3 SUGGESTED PANEL OPENING DIMENSIONS.
- 4 SUGGESTED CLEARANCE BETWEEN TOP OF CONNECTOR AND TOP PANEL OPENING.
- 5 SEE TABLE FOR COLOR OF LEDS AND NUMBER REQUIRED.
- 6. THIS MODULAR JACK WITH INTEGRATED LED IS NOT IR REFLOW SOLDERING PROCESS COMPATIBLE.
- 7 PACKAGED 30 PIECES PER TUBE, SEE DETAIL "A".
- 8 MANUFACTURING DATE CODE: LOCATED APPROX. AS SHOWN. FIRST 2 DIGITS = LAST 2 DIGITS OF YEAR. NEXT 2 DIGITS = MANUFACTURING WORK WEEK. LAST DIGIT = DAY OF WEEK WITH SUNDAY = 1.
- 9 THE PART IS PRELIMINARY.
- 10 OBSOLETE PARTS: OBSOLETE CIS STREAMLINING PER D.RENAUD/D.SINISI

	MATTE TIN	TRAY	INDICATOR COLOR	PART NUMBER
	MATTE TIN	TRAY	GREEN/RED	3-406549-3
	MATTE TIN	TRAY	RED	3-406549-2
	MATTE TIN	TUBE	YELLOW	3-406549-1
	MATTE TIN	TRAY	ORANGE/GREEN	3-406549-0
	MATTE TIN	TRAY	ORANGE/GREEN	2-406549-9
	MATTE TIN	TRAY	YELLOW/GREEN	2-406549-8
	MATTE TIN	TRAY	ORANGE/GREEN	2-406549-7
	MATTE TIN	TRAY	YELLOW	2-406549-6
	MATTE TIN	TRAY	GREEN	2-406549-5
	MATTE TIN	TRAY	GREEN	2-406549-4
	MATTE TIN	TRAY	YELLOW	2-406549-3
	MATTE TIN	TRAY	GREEN	2-406549-2
	MATTE TIN	TRAY	YELLOW	2-406549-1
	TIN-LEAD	TRAY	YELLOW/GREEN	406549-8
	TIN-LEAD	TRAY	YELLOW	406549-6
	TIN-LEAD	TRAY	GREEN	406549-5
	TIN-LEAD	TRAY	GREEN	406549-4
	TIN-LEAD	TRAY	YELLOW	406549-3
	TIN-LEAD	TRAY	GREEN	406549-2
	TIN-LEAD	TRAY	YELLOW	406549-1
	TERMINAL LEAD PLATING	PACKAGING	POSITION 2 POSITION 1	
			INDICATOR COLOR	

THIS DRAWING IS A CONTROLLED DOCUMENT. DIMENSIONS: mm [INCHES]. TOLERANCES UNLESS OTHERWISE SPECIFIED: 0 PLC ± -, 1 PLC ± -, 2 PLC ± 0.25[.01], 3 PLC ± 0.13[.005], 4 PLC ± -, ANGLES ± -.

APPROVED: G. GARRETT 17-SEP-97. NAME: M. DERSTINE 17-SEP-97. PRODUCT SPEC: 108-1163-4. APPLICATION SPEC: 114-2154. SIZE: A1. CAGE CODE: 00779. DRAWING NO: 406549. RESTRICTED TO: CUSTOMER DRAWING. SCALE: 4:1. SHEET: 1 of 1. REV: R6.

Tyco Electronics Corporation, Harrisburg, Pa 17105-3608.

INVERTED MODULAR JACK ASSEMBLY, 1X1, SHIELDED, PANEL GROUND, LED