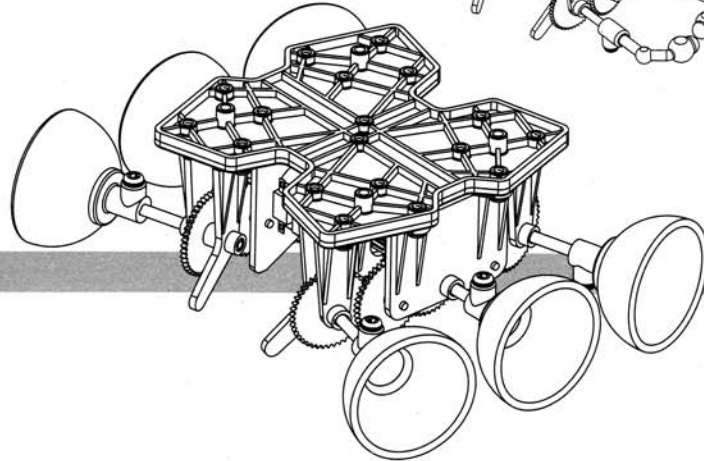
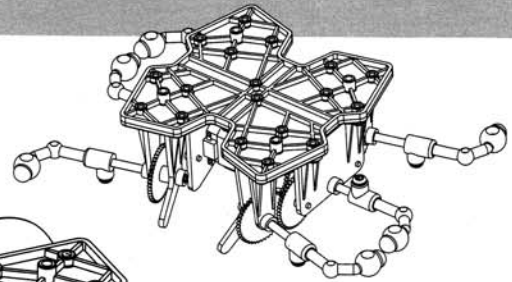


SIX-LEG WALKING TYPE GEARBOX KIT

1. Product Introduction:

- This gearbox works with 2 types of feet.
Try the different feet and enjoy the fun they will bring you
- This set contains 2 motors, gears, and all necessary parts.
- Output speed: 200 RPM
- Easy to assembly.



2. Tools You May Need:


Long Nose Pliers




Screwdriver





3. Mechanical Part List:


P1	Motor	Qty
		2 pcs


P6	Eyelet	Qty
		6 pcs


P11	Gear 44/18T	Qty
		4 pcs (Blue)


P2	Motor Holder	Qty
		2 pcs


P7	Gear(44T+0) with Shaft	Qty
		2 pcs (Green)

P12	Clear Tube	Qty
		2 pcs


P3	Screw	Qty
		4 pcs (2x10mm)

P8	Gear(44T+0) with Shaft	Qty
		4 pcs (Orange)

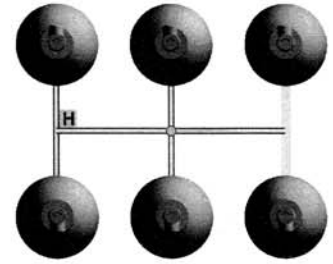
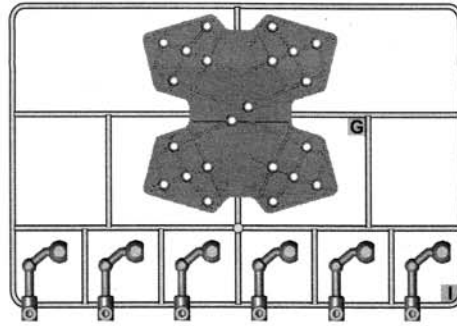
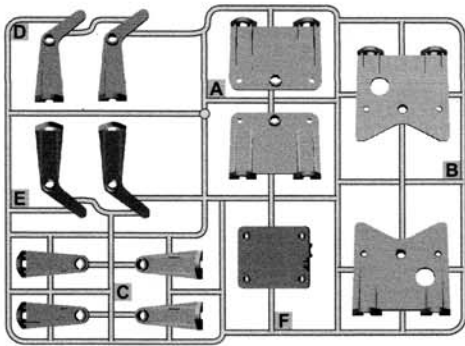
P13	Rubber Feet	Qty
		6 pcs

P4	Nut	Qty
		4 pcs (M2)

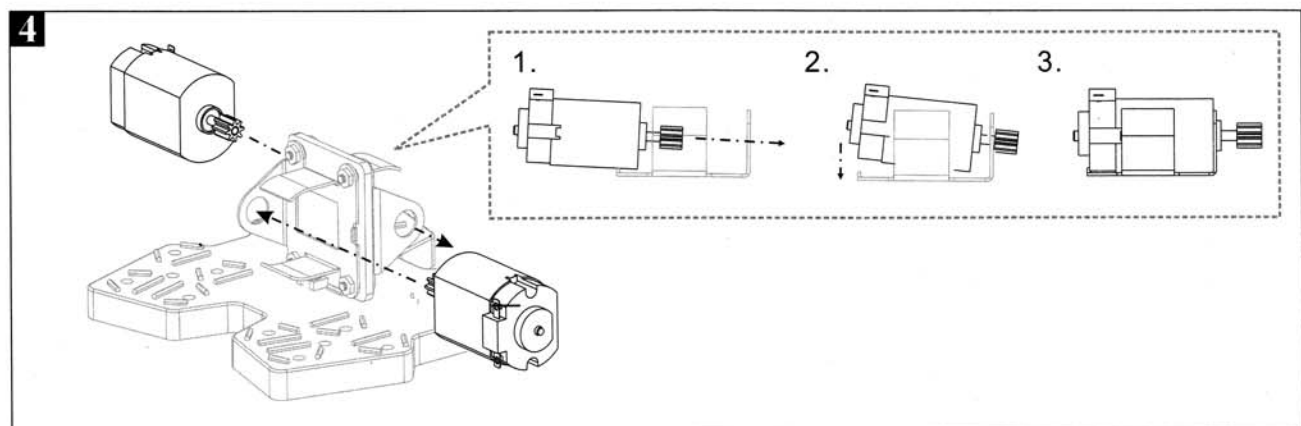
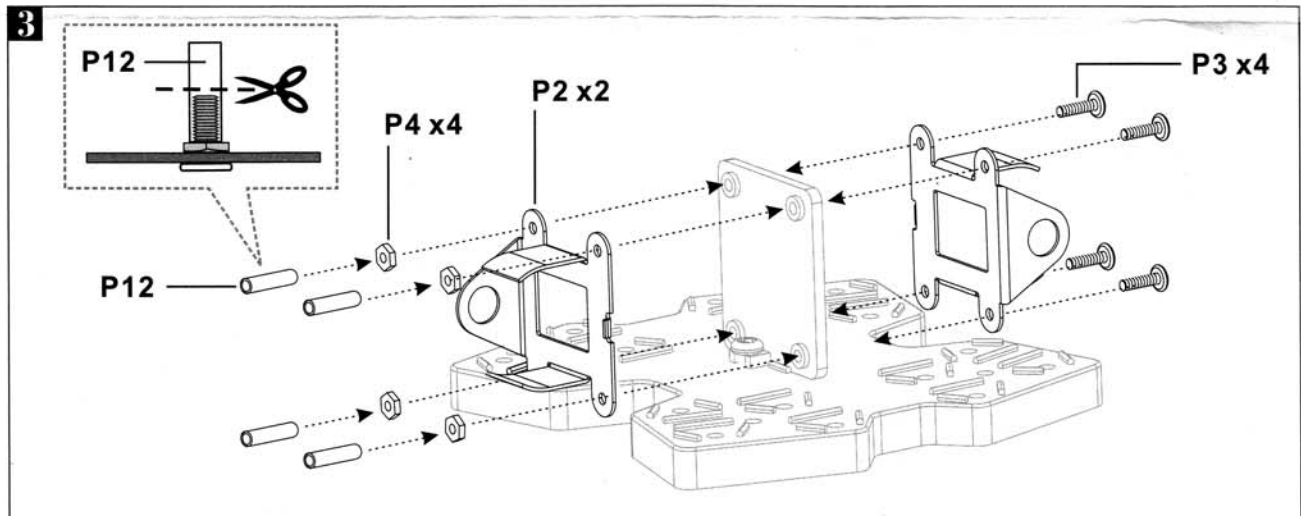
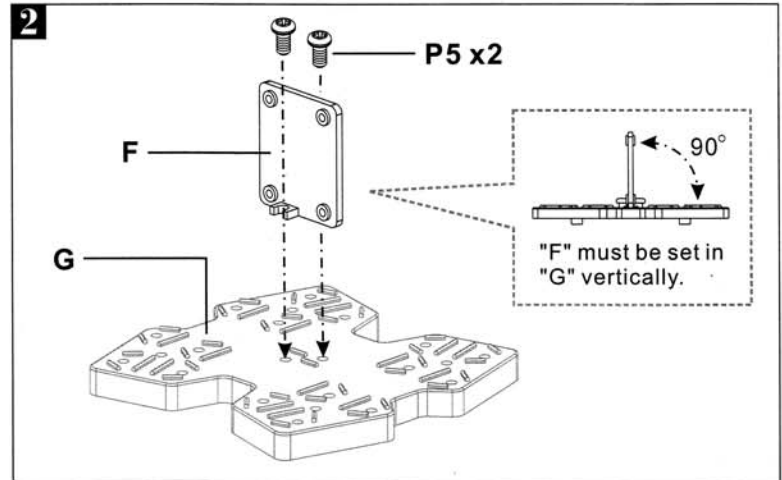
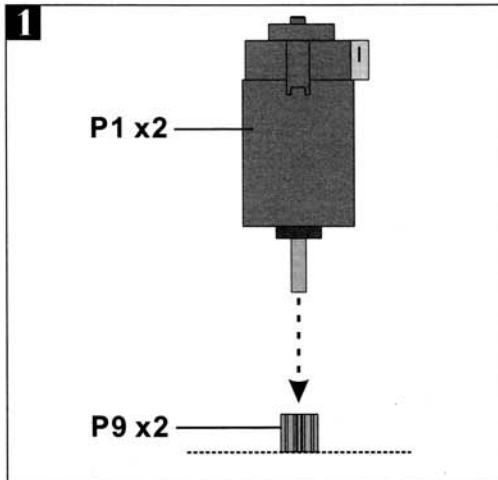
P9	Pinion gear 8T	Qty
		2 pcs (White)

P5	Tapping Screw	Qty
		34 pcs (3x7mm)

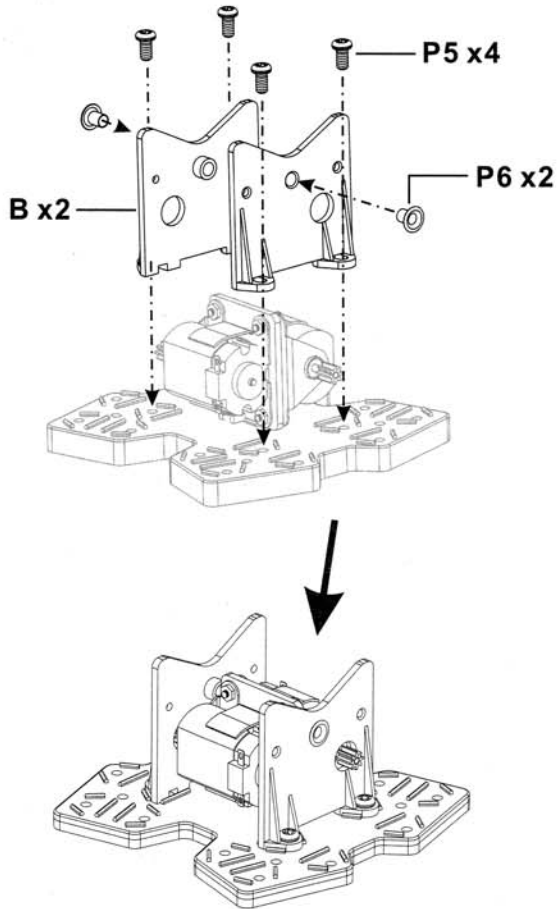
P10	Gear 48/18T	Qty
		2 pcs (White)



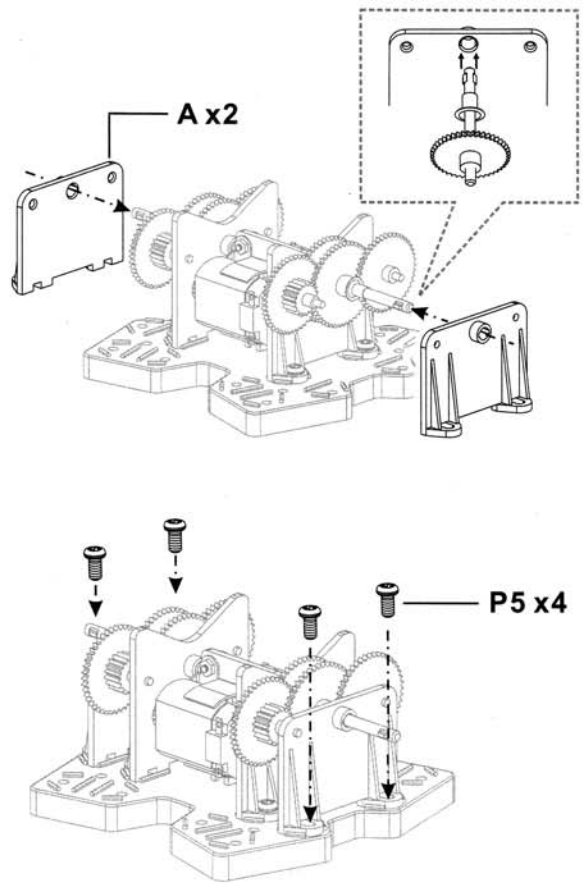
4. Mechanical Assembly:



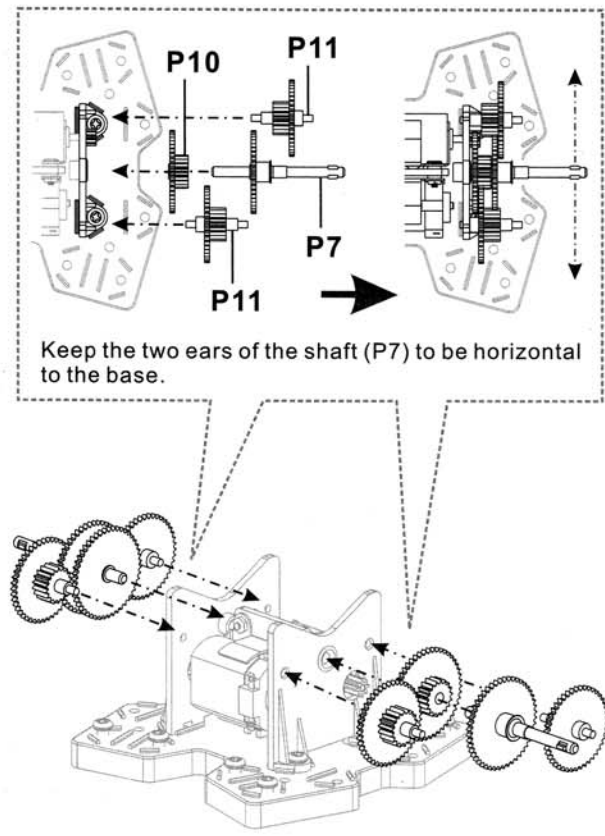
5



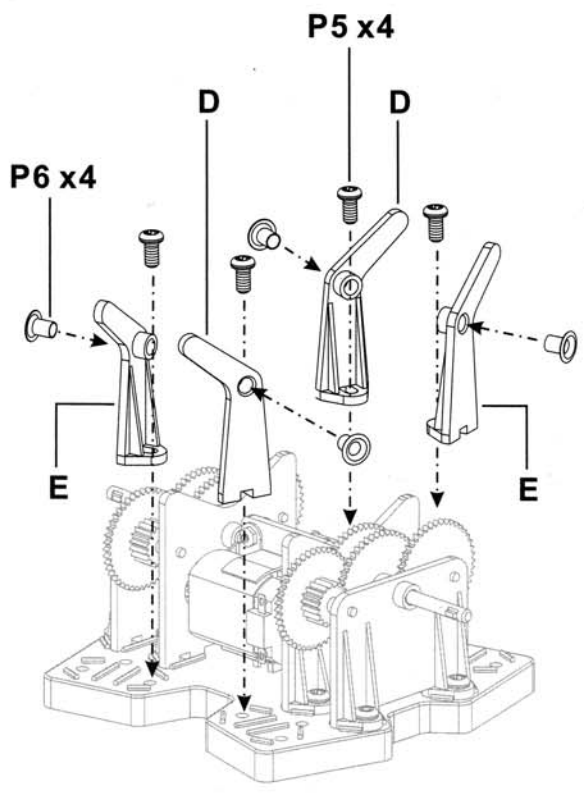
7



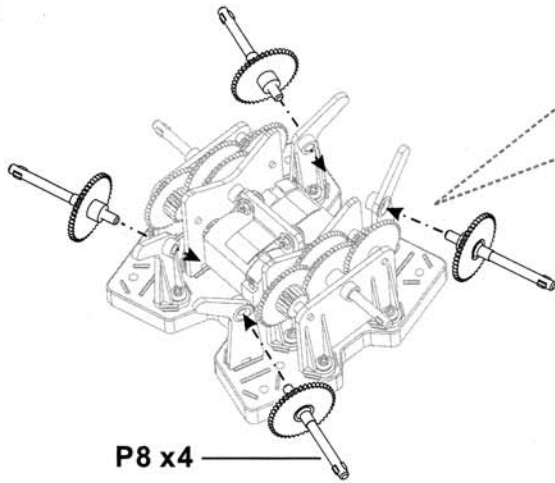
6



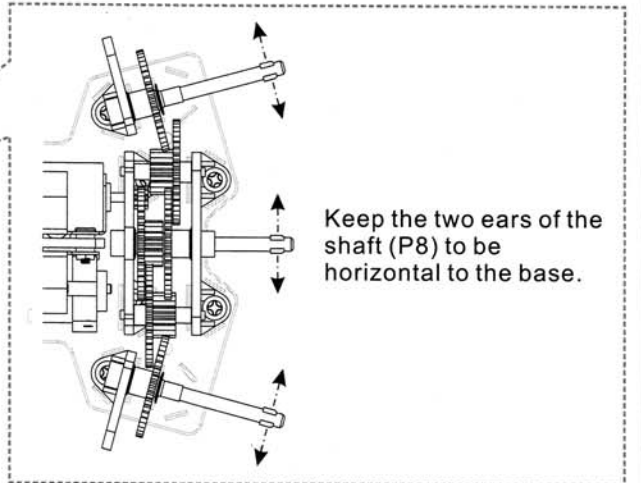
8



9

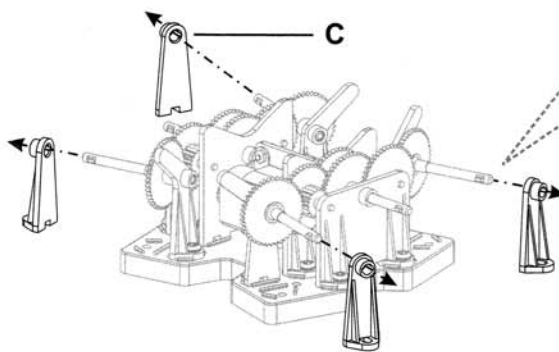


P8 x4

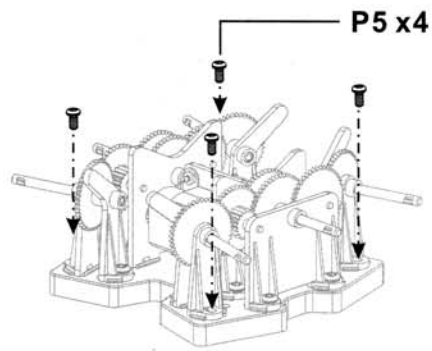
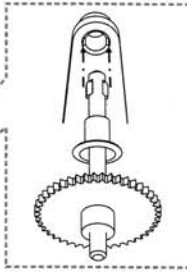


Keep the two ears of the shaft (P8) to be horizontal to the base.

10

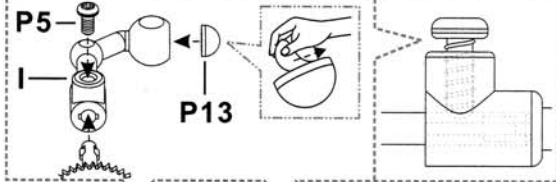


C



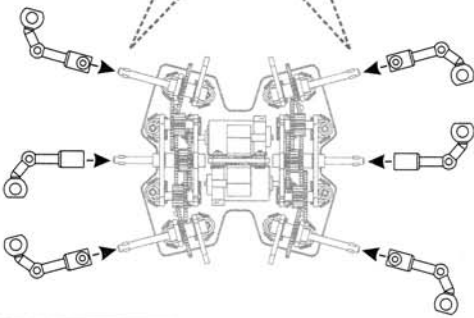
P5 x4

11-1

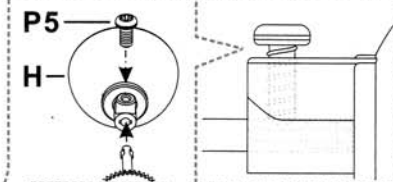


P5

P13

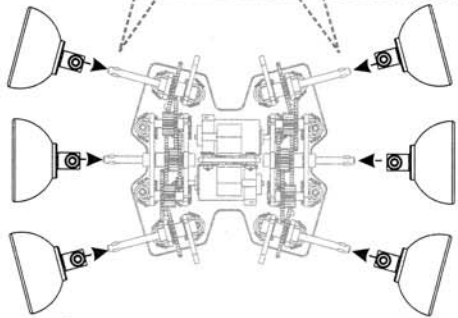


11-2



P5

H



12 Finished Product

