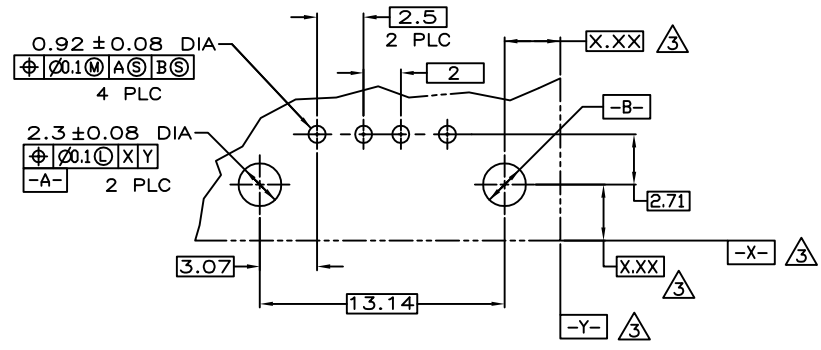
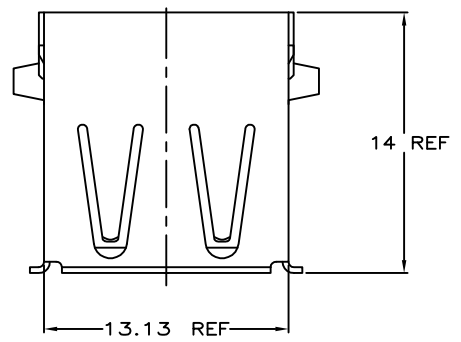
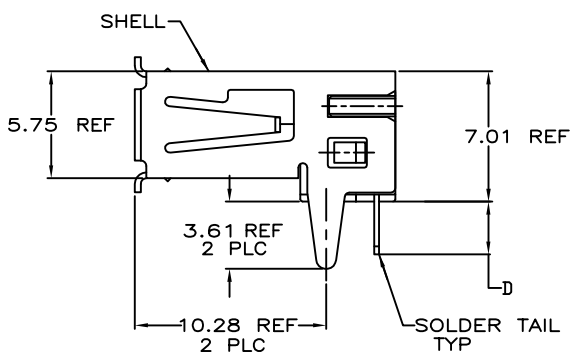
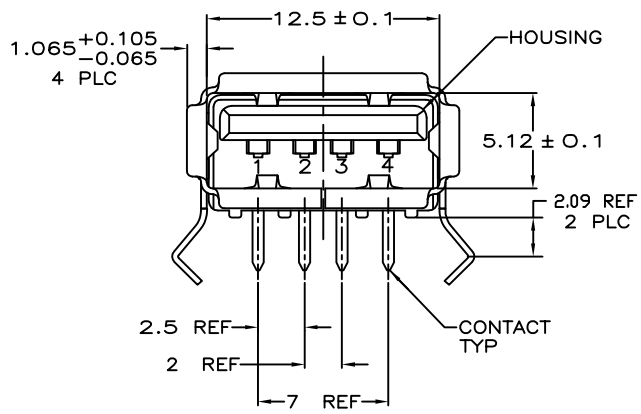


REVISIONS				
P	LR	DESCRIPTION	DATE	DRN APVD
ES	00	RELEASED PER ECR-12-002448	13FEB12	J.H.S.Y.



PC BOARD MOUNTING DIMENSIONS Δ



- Δ MATERIAL:
SHELL & CONTACTS- COPPER ALLOY.
HOUSING: UL 94V-0 RATED, THERMOPLASTIC, COLOR SEE TABLE.
- Δ PLATING:
CONTACTS: 0.076 μ m MINIMUM GOLD OVER 0.76 μ m MINIMUM PALLADIUM-NICKEL ON MATING AREA.
3.8 μ m MINIMUM MATTE TIN ON SOLDER TAILS.
BOTH OVER 1.27 μ m MINIMUM NICKEL.
CONTACT ALTERNATE PLATING: 0.76 μ m MIN GOLD ON MATING AREA, 3.80 μ m MIN MATTE TIN ON SOLDER TAILS, BOTH OVER 1.27 μ m MIN NICKEL.
SHELL: 2~5 μ m MINIMUM BRIGHT TIN
- Δ DATUM AND BASIC DIMENSIONS ESTABLISHED BY CUSTOMER.
- Δ RECOMMENDED PC BOARD THICKNESS OF 1.57.

YES	2.29	BLACK	1-292303-9 $\text{\textcircled{B}}$
NO	3.81	BLACK	1-292303-5
NO	3.56	BLACK	1-292303-4
NO	3.20	BLACK	1-292303-3
YES	3.30	BLACK	1-292303-2
YES	2.29	BLACK	292303-6
YES	2.84	NATURAL	292303-5
YES	2.84	BLACK	292303-4
NO	2.84	NATURAL	292303-3
NO	2.29	BLACK	292303-2
NO	2.84	BLACK	292303-1
HIGH TEMPERATURE COMPATIBLE		D	HOUSING COLOR
			PART NUMBER

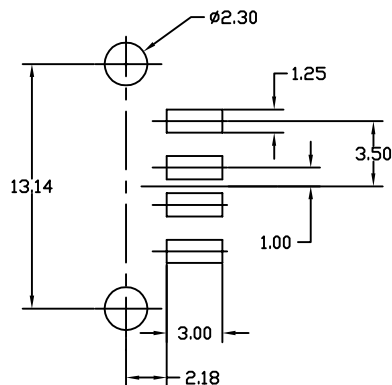
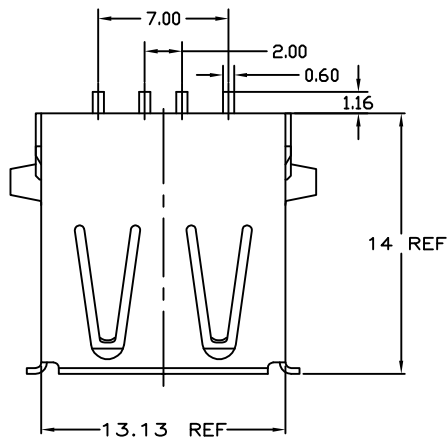
THIS DRAWING IS A CONTROLLED DOCUMENT.

DRN	J.JIANG	19FEB04
CHK	S.YAO	19FEB04
APVD	T.SASAKI	19FEB04
NAME	TE Connectivity	
PRODUCT SPEC	108-60034	
APPLICATION SPEC	RECEPTACLE ASSEMBLY RIGHT ANGLE, 4 POSITION, T/H & SMT USB, LEAD FREE VERSION	
SIZE	A2	00779
CAGE CODE	C=292303	
DRAWING NO	SCALE 5:1	
RESTRICTED TO	SHEET 1 of 4	
REV	E8	

MATERIAL Δ FINISH Δ

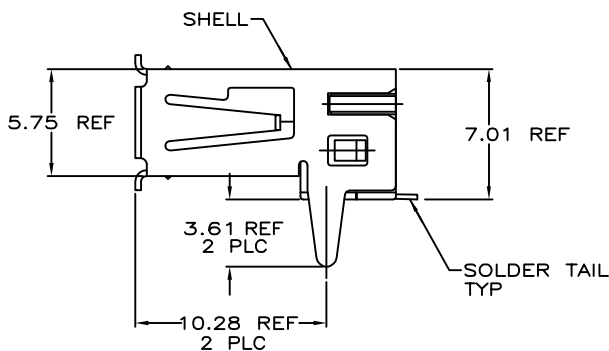
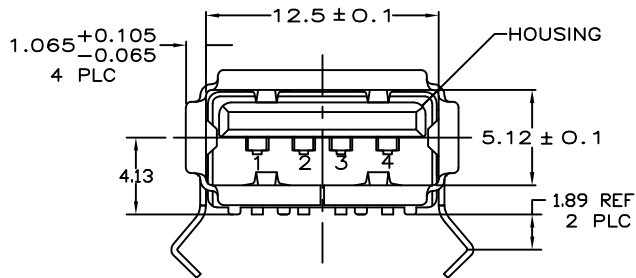
THIS DRAWING IS UNPUBLISHED. RELEASED FOR PUBLICATION
 © COPYRIGHT - By - ALL RIGHTS RESERVED.

LOC	DIST	REVISIONS			
P	LTR	DESCRIPTION	DATE	DRN	APVD
ES	00	SEE SHEET 1	-	-	-



RECOMMENDED PC BOARD MOUNTING LAYOUT Δ
 (TOLERANCE= ± 0.05)

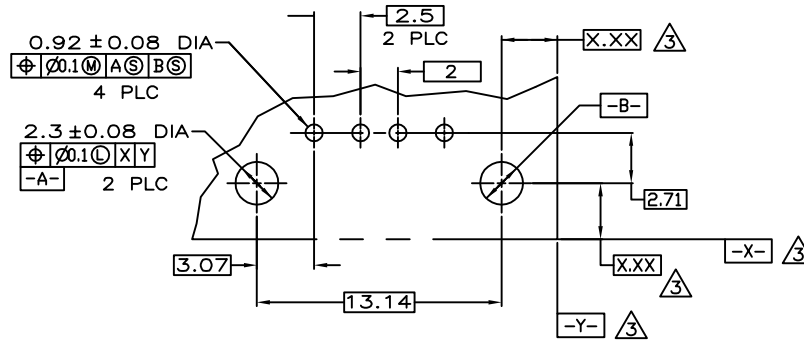
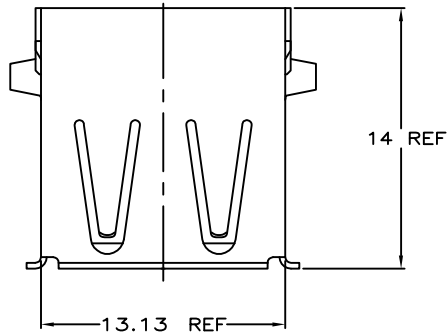
- Δ MATERIAL:
SHELL & CONTACTS- COPPER ALLOY.
HOUSING: UL 94V-0 RATED, THERMOPLASTIC, COLOR SEE TABLE.
- Δ PLATING:
CONTACTS: 0.076 μm MINIMUM GOLD OVER 0.76 μm MINIMUM PALLADIUM-NICKEL ON MATING AREA.
3.8 μm MINIMUM MATTE TIN ON SOLDER TAILS.
BOTH OVER 1.27 μm MINIMUM NICKEL.
CONTACT ALTERNATE PLATING: 0.76 μm MIN GOLD ON MATING AREA, 3.80 μm MIN MATTE TIN ON SOLDER TAILS, BOTH OVER 1.27 μm MIN NICKEL.
SHELL: 2~5 μm MINIMUM BRIGHT TIN
- Δ RECOMMENDED PC BOARD THICKNESS OF 1.42.



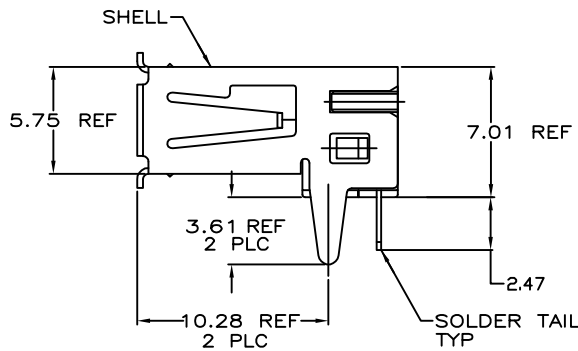
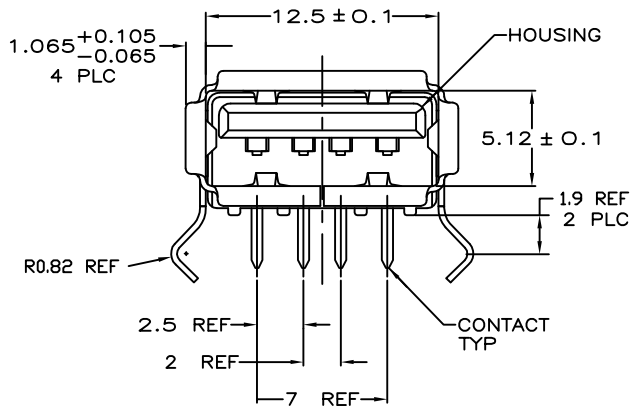
YES	BLACK	1-292303-1
YES	NATURAL	292303-7
HIGH TEMPERATURE COMPATIBLE	HOUSING COLOR	PART NUMBER

THIS DRAWING IS A CONTROLLED DOCUMENT.		DRN L. JIANG 19FEB04	TE Connectivity																		
DIMENSIONS: mm		CHK S. YAO 19FEB04	NAME																		
TOLERANCES UNLESS OTHERWISE SPECIFIED:		APVD T. SASAKI 19FEB04	PRODUCT SPEC 108-60034																		
<table border="1"> <tr><td>0 PLC</td><td>\pm</td><td>-</td></tr> <tr><td>1 PLC</td><td>\pm</td><td>-</td></tr> <tr><td>2 PLC</td><td>\pm</td><td>0.25</td></tr> <tr><td>3 PLC</td><td>\pm</td><td>-</td></tr> <tr><td>4 PLC</td><td>\pm</td><td>-</td></tr> <tr><td>ANGLES</td><td>\pm</td><td>-</td></tr> </table>		0 PLC	\pm	-	1 PLC	\pm	-	2 PLC	\pm	0.25	3 PLC	\pm	-	4 PLC	\pm	-	ANGLES	\pm	-	APPLICATION SPEC	
0 PLC	\pm	-																			
1 PLC	\pm	-																			
2 PLC	\pm	0.25																			
3 PLC	\pm	-																			
4 PLC	\pm	-																			
ANGLES	\pm	-																			
MATERIAL	FINISH	SIZE	CAGE CODE	DRAWING NO																	
Δ 1	Δ 2	A2	00779	C=292303																	
CUSTOMER DRAWING		RESTRICTED TO	SCALE	SHEET																	
		-	5:1	2 of 4																	
				REV E8																	

LOC		DIST		REVISIONS			
P	LR	DESCRIPTION	DATE	DRN	APVD		
-	-	SEE SHEET 1	-	-	-	-	-



PC BOARD MOUNTING DIMENSIONS $\triangle 4$



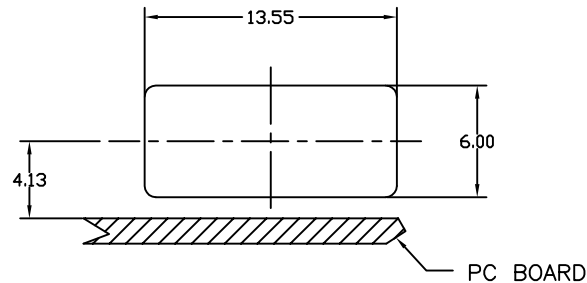
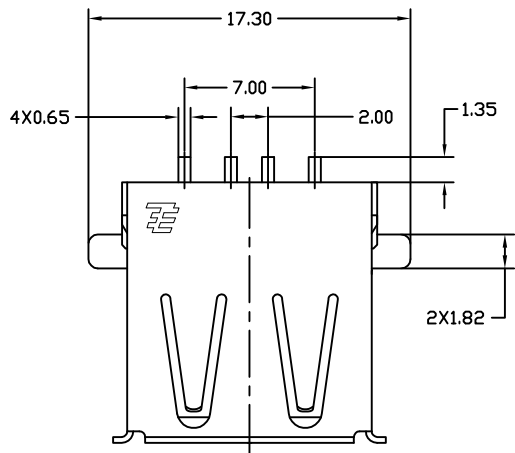
- $\triangle 1$ MATERIAL:
SHELL & CONTACTS- COPPER ALLOY.
HOUSING: UL 94V-0 RATED, THERMOPLASTIC, COLOR SEE TABLE.
- $\triangle 2$ PLATING:
CONTACTS: 0.076 μ m MINIMUM GOLD OVER 0.76 μ m MINIMUM PALLADIUM-NICKEL ON MATING AREA.
3.8 μ m MINIMUM MATTE TIN ON SOLDER TAILS.
BOTH OVER 1.27 μ m MINIMUM NICKEL.
CONTACT ALTERNATE PLATING: 0.76 μ m MIN GOLD ON MATING AREA, 3.80 μ m MIN MATTE TIN ON SOLDER TAILS, BOTH OVER 1.27 μ m MIN NICKEL.
SHELL: 2~5 μ m MINIMUM BRIGHT TIN
- $\triangle 3$ DATUM AND BASIC DIMENSIONS ESTABLISHED BY CUSTOMER.
- $\triangle 4$ RECOMMENDED PC BOARD THICKNESS OF 1.2.

NO	NATURAL	292303-8
HIGH TEMPERATURE COMPATIBLE	HOUSING COLOR	PART NUMBER

THIS DRAWING IS A CONTROLLED DOCUMENT.		DRN	J.JIANG	19FEB04		TE Connectivity
DIMENSIONS: mm		CHK	S.YAO	19FEB04		
TOLERANCES UNLESS OTHERWISE SPECIFIED:		APVD	T.SASAKI	19FEB04	NAME	RECEPTACLE ASSEMBLY RIGHT
0 PLC	± -	PRODUCT SPEC	108-60034			ANGLE, 4 POSITION, T/H & SMT
1 PLC	± -	APPLICATION SPEC				USB, LEAD FREE VERSION
2 PLC	± 0.25	SIZE	A2	CAGE CODE	00779	DRAWING NO
3 PLC	± -	WEIGHT		SCALE	5:1	RESTRICTED TO
4 PLC	± -	CUSTOMER DRAWING		SHEET	3 of 4	REV
ANGLES	± -			REV	E8	
FINISH						

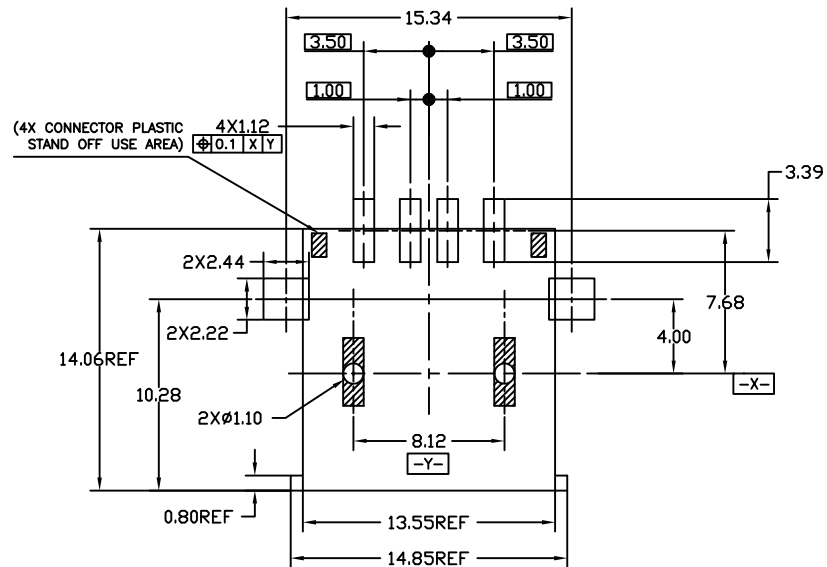
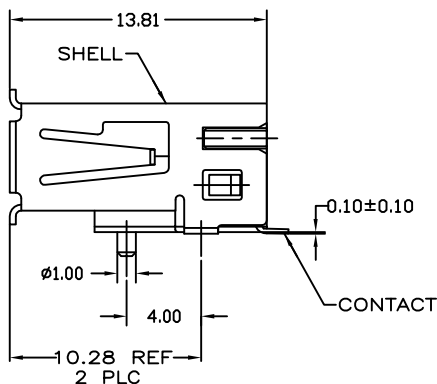
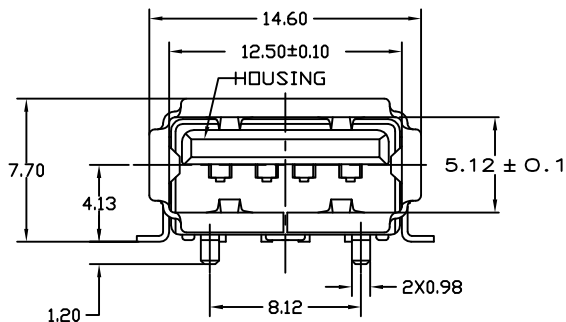
THIS DRAWING IS UNPUBLISHED. RELEASED FOR PUBLICATION
 © COPYRIGHT - By - ALL RIGHTS RESERVED.

REVISIONS							
LOC	DIST	P	LTR	DESCRIPTION	DATE	DRN	APVD
ES	00	-	-	SEE SHEET 1	-	-	-



RECOMMENDED MOUNTING PANEL CUTOUT

- ⚠ MATERIAL:
SHELL & CONTACTS- COPPER ALLOY.
HOUSING: UL 94V-0 RATED, THERMOPLASTIC, COLOR SEE TABLE.
- ⚠ PLATING:
CONTACTS: 0.076 μm MINIMUM GOLD OVER 0.76 μm MINIMUM PALLADIUM-NICKEL ON MATING AREA.
3.8 μm MINIMUM MATTE TIN ON SOLDER TAILS.
BOTH OVER 1.27 μm MINIMUM NICKEL.
CONTACT ALTERNATE PLATING: 0.76 μm MIN GOLD ON MATING AREA, 3.80 μm MIN MATTE TIN ON SOLDER TAILS, BOTH OVER 1.27 μm MIN NICKEL.
SHELL: 2~5 μm MINIMUM BRIGHT TIN
- ⚠ PANEL IS NEEDED FOR CUSTOMER.
- ⚠ THIS P/N IS PRELIMINARY.



RECOMMENDED PC BOARD MOUNTING LAYOUT (TOLERANCE=±0.05)

YES	BLACK	1-292303-6
YES	NATURAL	292303-9
HIGH TEMPERATURE COMPATIBLE	HOUSING COLOR	PART NUMBER

THIS DRAWING IS A CONTROLLED DOCUMENT.		DRN L. JIANG 19FEB04	TE Connectivity	
DIMENSIONS: mm		CHK S. YAO 19FEB04	APVD T. SASAKI 19FEB04	
TOLERANCES UNLESS OTHERWISE SPECIFIED:		NAME RECEPTACLE ASSEMBLY RIGHT ANGLE, 4 POSITION, T/H & SMT USB, LEAD FREE VERSION		
0 PLC ± -		PRODUCT SPEC 108-60034		
1 PLC ± 0.25		APPLICATION SPEC		
2 PLC ± -		SIZE CASE CODE DRAWING NO RESTRICTED TO		
3 PLC ± -		A2 00779 C=292303		
4 PLC ± -		WEIGHT		
ANGLES ± -		CUSTOMER DRAWING		
FINISH		SCALE 5:1 SHEET 4 of 4 REV E8		