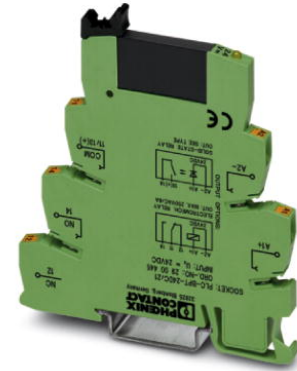


PLC-OPT- 24DC/ 48DC/100

Order No.: 2900352



<http://eshop.phoenixcontact.de/phoenix/treeViewClick.do?UID=2900352>

PLC-INTERFACE, consisting of PLC-BPT basic terminal block with Push-in connection and plug-in miniature solid-state relay, for mounting on NS 35/7,5 DIN rail, input: 24 V DC, output: 3 - 48 V DC/100 mA



| Commercial data | |
|--------------------------|-------------------|
| GTIN (EAN) | 4 046356 508636 |
| sales group | G246 |
| Pack | 10 pcs. |
| Customs tariff | 85364190 |
| Catalog page information | Page 84 (IF-2011) |

Product notes

WEEE/RoHS-compliant since:
05/05/2009



<http://www.download.phoenixcontact.com>
Please note that the data given here has been taken from the online catalog. For comprehensive information and data, please refer to the user documentation. The General Terms and Conditions of Use apply to Internet downloads.

Technical data

| Input data | |
|--|-------------|
| Nominal input voltage U_N | 24 V DC |
| Input voltage range in reference to U_N | 0.8 ... 1.2 |
| Switching threshold "0" signal in reference to U_N | ≤ 0.4 |

| | |
|--|--------------------------------------|
| Switching threshold "1" signal in reference to U_N | ≥ 0.8 |
| Typical input current at U_N | 8.5 mA |
| Typical response time | 20 μ s (at U_N) |
| Typical turn-off time | 300 μ s (at U_N) |
| Operating voltage display | Yellow LED |
| Type of protection | Protection against polarity reversal |
| | Free-wheeling diode |
| Protective circuit/component | Polarity protection diode |
| | Damping diode |
| Transmission frequency | 300 Hz |

Output data

| | |
|--|--------------------------------------|
| Output nominal voltage range | 3 V DC ... 48 V DC |
| Limiting continuous current | 100 mA |
| Voltage drop at max. limiting continuous current | ≤ 1 V |
| Output circuit | 2-wire, floating |
| Type of protection | Protection against polarity reversal |
| | Surge protection |
| Protective circuit/component | Polarity protection diode |

Connection data

| | |
|--|----------------------|
| Connection method | Push-in connection |
| Stripping length | 8 mm |
| Conductor cross section solid min. | 0.14 mm ² |
| Conductor cross section solid max. | 2.5 mm ² |
| Conductor cross section stranded min. | 0.14 mm ² |
| Conductor cross section stranded max. | 2.5 mm ² |
| Conductor cross section AWG/kcmil min. | 26 |
| Conductor cross section AWG/kcmil max | 14 |

General data

| | |
|---|------------------------|
| Width | 6.2 mm |
| Height | 80 mm |
| Depth | 94 mm |
| Test voltage input/output | 2.5 kV (50 Hz, 1 min.) |
| Ambient temperature (operation) | -25 °C ... 60 °C |
| Ambient temperature (storage/transport) | -25 °C ... 70 °C |

| | |
|---|---------------------------|
| Mounting position | Any |
| Assembly instructions | In rows with zero spacing |
| Operating mode | 100% operating factor |
| Inflammability class according to UL 94 | V0 |
| Pollution degree | 2 |
| Surge voltage category | III |

Certificates / Approvals



Certification CUL, CUL Listed, GL, UL, UL Listed

Accessories

| Item | Designation | Description |
|-----------------|------------------------------|--|
| Assembly | | |
| 0801762 | NS 35/ 7,5 CU UNPERF 2000MM | DIN rail, material: Copper, unperforated, height 7.5 mm, width 35 mm, length: 2 m |
| 0801733 | NS 35/ 7,5 PERF 2000MM | DIN rail, material: steel galvanized and passivated with a thick layer, perforated, height 7.5 mm, width 35 mm, length: 2000 mm |
| 0801681 | NS 35/ 7,5 UNPERF 2000MM | DIN rail, material: Steel, unperforated, height 7.5 mm, width 35 mm, length: 2 m |
| 0801377 | NS 35/ 7,5 V2A UNPERF 2000MM | DIN rail, Width: 35 mm, Height: 7.5 mm, Length: 2000 mm, Color: silver |
| 1201756 | NS 35/15 AL UNPERF 2000MM | DIN rail, deep drawn, high profile, unperforated, 1.5 mm thick, material: aluminum, height 15 mm, width 35 mm, length 2000 mm |
| 1201895 | NS 35/15 CU UNPERF 2000MM | DIN rail, material: Copper, unperforated, 1.5 mm thick, height 15 mm, width 35 mm, length: 2 m |
| 1201730 | NS 35/15 PERF 2000MM | DIN rail, material: steel galvanized and passivated with a thick layer, perforated, height 15 mm, width 35 mm, length: 2000 mm |
| 1201714 | NS 35/15 UNPERF 2000MM | DIN rail, material: Steel, unperforated, height 15 mm, width 35 mm, length: 2 m |
| 1201798 | NS 35/15-2,3 UNPERF 2000MM | DIN rail, material: Steel, unperforated, 2.3 mm thick, height 15 mm, width 35 mm, length: 2 m |
| 2966841 | PLC-ATP BK | Separating plate, 2 mm thick, required at the start and end of a PLC terminal strip. Furthermore, it is used for: visual separation of groups, safe isolation of different voltages of neighboring PLC relays in acc. with DIN VDE 0106-101, isolation |

Bridges

| | | |
|---------|-----------------|--|
| 2966812 | FBST 6-PLC BU | Single plug-in bridge, Length: 6 mm, Number of positions: 2, Color: blue |
| 2966825 | FBST 6-PLC GY | Single plug-in bridge, Length: 6 mm, Number of positions: 2, Color: gray |
| 2966236 | FBST 6-PLC RD | Single plug-in bridge, Length: 6 mm, Number of positions: 2, Color: red |
| 2967688 | FBST 8-PLC GY | Single plug-in bridge, Length: 8 mm, Number of positions: 2, Color: gray |
| 2966692 | FBST 500-PLC BU | Continuous plug-in bridge, Length: 500 mm, Color: blue |
| 2966838 | FBST 500-PLC GY | Continuous plug-in bridge, Length: 500 mm, Color: gray |
| 2966786 | FBST 500-PLC RD | Continuous plug-in bridge, Length: 500 mm, Color: red |

General

| | | |
|---------|--------------------|---|
| 2966618 | OPT-24DC/ 48DC/100 | Plug-in miniature solid-state relay, input solid-state relay, input: 24 V DC, output: 3 - 48 V DC/100 mA |
| 2966508 | PLC-ESK GY | Power terminal block, for the input of up to four potentials, for mounting on NS 35/7.5 |
| 2296087 | PLC-V8/D15B/IN | V8-INPUT adapter for eight 6.2 mm PLC interfaces (1 PDT, etc./ see "Additional Products"). 15-pin D-SUB female connector, control logic: Positive switching |
| 2296061 | PLC-V8/D15B/OUT | V8-OUTPUT adapter for eight 6.2 mm PLC interfaces (1 PDT, etc./see "Additional Products"). 15-pin D-SUB female connector, control logic: Positive switching |
| 2296074 | PLC-V8/D15S/IN | V8-INPUT adapter for eight 6.2 mm PLC interfaces (1 PDT, etc./ see "Additional Products"). 15-pin D-SUB male connector, control logic: Positive switching |
| 2296058 | PLC-V8/D15S/OUT | V8-OUTPUT adapter for eight 6.2 mm PLC interfaces (1 PDT, etc./see "Additional Products"). 15-pin D-SUB male connector, control logic: Positive switching |
| 2296553 | PLC-V8/FLK14/IN | V8L-INPUT adapter for eight 6.2 mm PLC interfaces (1 PDT, etc./see "Supplementary Products"). 14-pos. flat-ribbon cable connection for the PLC system cabling, control logic: Plus switching |
| 2304115 | PLC-V8/FLK14/IN/M | V8L-INPUT adapter for eight 6.2 mm PLC interfaces (1 PDT, etc./see "Supplementary Products"). 14-pos. flat-ribbon cable connection for the PLC system cabling, control logic: Minus switching |
| 2295554 | PLC-V8/FLK14/OUT | V8-OUTPUT adapter for eight 6.2 mm PLC interfaces (1 PDT, etc./see "Supplementary Products"). 14-pos. flat-ribbon cable connection for the PLC system cabling, control logic: Plus switching |
| 2304102 | PLC-V8/FLK14/OUT/M | V8-OUTPUT adapter for eight 6.2 mm PLC interfaces (1 PDT, etc./see "Supplementary Products"). 14-pos. flat-ribbon cable connection for the PLC system cabling, control logic: Minus switching |

Marking

| | | |
|---------|-----------------------|---|
| 1051016 | ZB 6,LGS:FORTL.ZAHLEN | Zack marker strip, Strip, white, Labeled, Can be labeled with: Plotter, Printed horizontally: Consecutive numbers 1 - 10, 11 - 20, etc. up to 491 - 500, Mounting type: Snap into tall marker groove, For terminal block width: 6.2 mm, Lettering field: 6.15 x 10.5 mm |
| 1051003 | ZB 6:UNBEDRUCKT | Zack marker strip, Strip, white, Unlabeled, Can be labeled with: Plotter, Mounting type: Snap into tall marker groove, For terminal block width: 6.2 mm, Lettering field: 6.15 x 10.5 mm |

Relay base

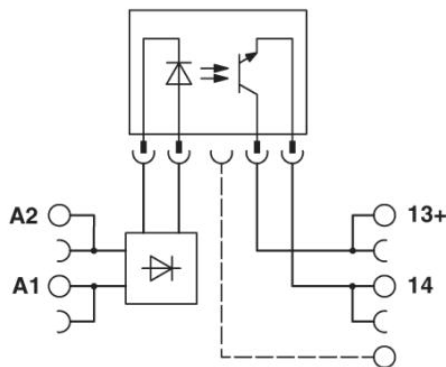
| | | |
|---------|------------------|--|
| 2900445 | PLC-BPT- 24DC/21 | 6.2 mm PLC basic terminal blocks with Push-in connection, 24 V DC input voltage (without relay or optocoupler) |
|---------|------------------|--|

Tools

| | | |
|---------|---------------|---|
| 1204517 | SZF 1-0,6X3,5 | Actuation tool, for ST terminal blocks, also suitable for use as a bladed screwdriver, size: 0.6 x 3.5 x 100 mm, 2-component grip, with non-slip grip |
|---------|---------------|---|

Diagrams/Drawings

Circuit diagram



Address

PHOENIX CONTACT Inc., USA
586 Fulling Mill Road
Middletown, PA 17057, USA
Phone (800) 888-7388
Fax (717) 944-1625
<http://www.phoenixcon.com>



© 2012 Phoenix Contact
Technical modifications reserved;