

5,08MM PLUG-IN LOCKING CONNECTORS WITH CAGE CLAMP SERIES 2ESD

PHYSICAL PROPERTIES

Housing:

HOUSING MATERIAL: Thermoplastic

FLAMMABILITY: UL94V-0

COLORS: Green or Black

Terminal:

CONTACTS: Bright acid-tin plated copper alloy

CAGE CLAMP: Zinc plated steel with yellow chromate coating M2.5

Mechanical:

RECOMMENDED TIGHTENING TORQUE: 4.5 in. lb.

ELECTRICAL PROPERTIES

RATING: 10 Amps, 300 volts/15 amps, 150 volts (limited ratings)

WIRE RANGE: 14-28 AWG (solid)
14-30 AWG (stranded)

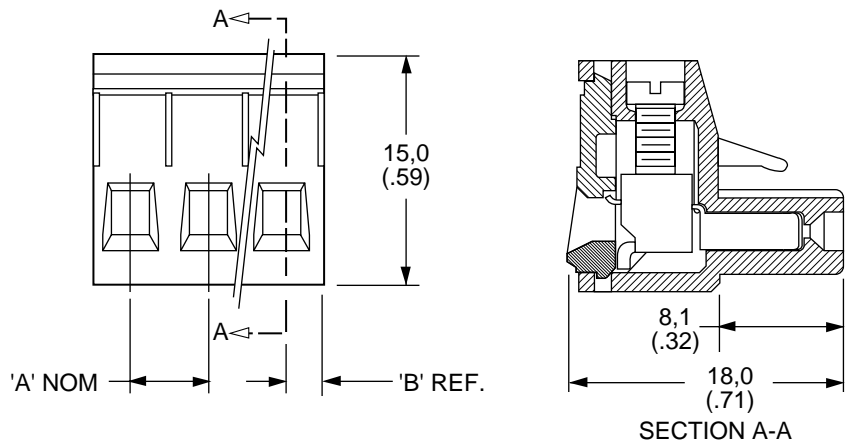
ENVIRONMENTAL PROPERTIES

MAX. OPERATING TEMPERATURE: 105° C .



5,08mm and 10,16mm Pitch

2ESDV (vertical mounting)



Ordering Information

# OF TERMINALS	5,08MM VERTICAL GREEN	5,08MM VERTICAL BLACK
2	2ESDV-02	2ESDV-02-1
3	2ESDV-03	2ESDV-03-1
4	2ESDV-04	2ESDV-04-1
5	2ESDV-05	2ESDV-05-1
6	2ESDV-06	2ESDV-06-1
7	2ESDV-07	2ESDV-07-1
8	2ESDV-08	2ESDV-08-1
9	2ESDV-09	2ESDV-09-1
10	2ESDV-10	2ESDV-10-1
11	2ESDV-11	2ESDV-11-1
12	2ESDV-12	2ESDV-12-1

A	B
5,08 (.200")	2,54 (.100")

NOTE: For 13-24 positions molded to length, minimum order is 2500 pieces

5,08MM HEADERS (FOR SERIES 2ESD CONNECTORS) SERIES 2EHD

PHYSICAL PROPERTIES

Housing:

HOUSING MATERIAL: Thermoplastic
FLAMMABILITY: UL94V-0
COLORS: Green or Black

Terminal:

CONTACTS: Bright acid-tin plated copper alloy
SOLDERABILITY: MIL STD 202, Method 208

Mechanical:

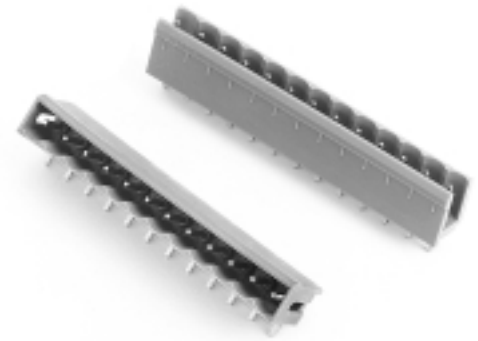
PITCH (TERMINAL LENGTH): 5,08mm
RECOMMENDED PCB HOLE DIA.: .067" diameter

ELECTRICAL PROPERTIES

RATING: 10 Amps, 300 volts/15 amps, 150 volts
(limited ratings)

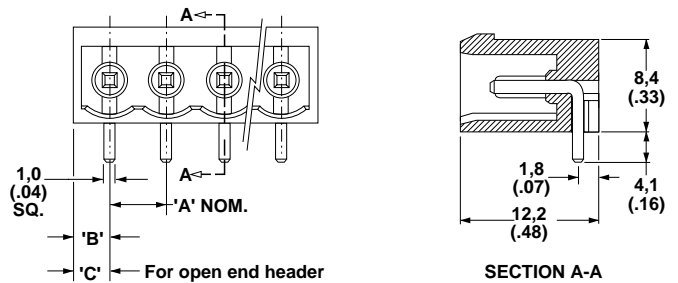
ENVIRONMENTAL PROPERTIES

MAX. OPERATING TEMPERATURE: 105° C.



5,08mm Pitch

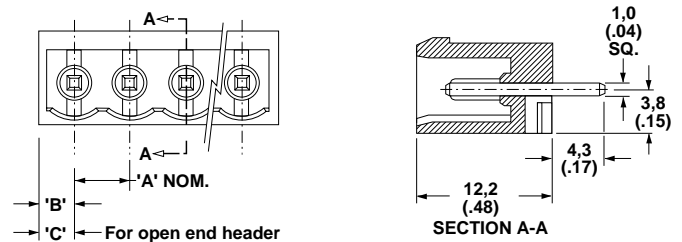
2EHDR (right angle solder pins)



Ordering Information

# OF TERMINALS	5,08MM VERTICAL CLOSED END	5,08MM RIGHT ANGLE CLOSED END
2	2EHDV-02	2EHDR-02
3	2EHDV-03	2EHDR-03
4	2EHDV-04	2EHDR-04
5	2EHDV-05	2EHDR-05
6	2EHDV-06	2EHDR-06
7	2EHDV-07	2EHDR-07
8	2EHDV-08	2EHDR-08
9	2EHDV-09	2EHDR-09
10	2EHDV-10	2EHDR-10
11	2EHDV-11	2EHDR-11
12	2EHDV-12	2EHDR-12

2EHDV (vertical solder pins)



A	B	C
5,08 (.200")	3,1 (.12")	2,54 (.100)

NOTE: For 13-24 positions molded to length, min. order is 2500 pieces

NOTE: For open ended headers, consult factory. Min. order is 2500 pieces

NOTE: Add "-1" for molding color black