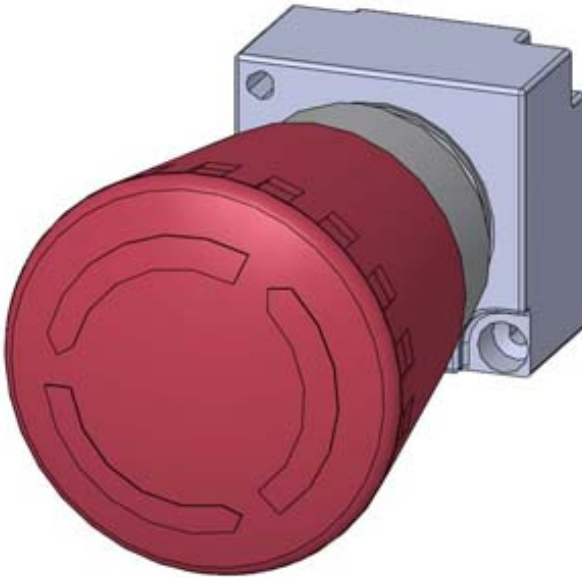


22MM METAL ROUND ACTUATOR: EMERGEN.-STOP
MUSHR.PUSHB. 40MM LATCH.W. ROT.-TO-UNLATCH MECH.
WITH HOLDER RED



Design of the product	Single device round with positive latching in accordance with ISO 13850
Enclosure:	
Number of command points	1
Actuator:	
Design of the operating mechanism	Emergency stop mushroom pushbutton
Manner of function of the actuating element	Latching
Product extension optional Light source	No
Color	
• of the actuating element	Red
Material of the actuating element	plastic
Outer diameter of the actuating element	40 mm
Type of unlocking device	rotate-to-unlatch mechanism
Number of switching positions	2
Front ring:	
Product component front ring	No
Holder:	
Material of the holder	Metal

General technical data:

Product function	
• EMERGENCY OFF function	Yes
• EMERGENCY STOP function	Yes
Protection class IP	IP67
Vibration resistance	
• acc. to IEC 60068-2-6	20 ... 200 Hz: 5g
Operating frequency maximum	1 000 1/h
Mechanical service life (switching cycles)	
• typical	300 000
Equipment marking	
• acc. to DIN 40719 extended according to IEC 204-2 acc. to IEC 750	S
• acc. to DIN EN 61346-2	S
• acc. to DIN EN 81346-2	S

Connections/ Terminals:

Tightening torque of the screws in the bracket	1 N·m
---	-------

Safety related data:

B10 value	
• with high demand rate acc. to SN 31920	100 000
Proportion of dangerous failures	
• with low demand rate acc. to SN 31920	20 %
• with high demand rate acc. to SN 31920	20 %
Failure rate [FIT]	
• with low demand rate acc. to SN 31920	100 FIT
T1 value for proof test interval or service life acc. to IEC 61508	20 y

Ambient conditions:

Ambient temperature	
• during operation	-25 ... +70 °C
• during storage	-40 ... +80 °C
Environmental category during operation acc. to IEC 60721	3K6

Installation/ mounting/ dimensions:

Mounting type	front mounting
Shape of the installation opening	round
Mounting diameter	22 mm

Certificates/approvals

General Product Approval	Functional Safety/Safety of Machinery	Declaration of Conformity	Test Certificates	Shipping Approval
--------------------------	---------------------------------------	---------------------------	-------------------	-------------------



[spezielle Prüfbescheinigungen](#)
[n](#)



Shipping Approval	other
-------------------	-------



[sonstig](#)

[Bestätigungen](#)

other

[Umweltbestätigung](#)

Further information

Information- and Downloadcenter (Catalogs, Brochures,...)

<http://www.siemens.com/industrial-controls/catalogs>

Industry Mall (Online ordering system)

<https://mall.industry.siemens.com/mall/en/en/Catalog/product?mlfb=3SB35001HA20>

Cax online generator

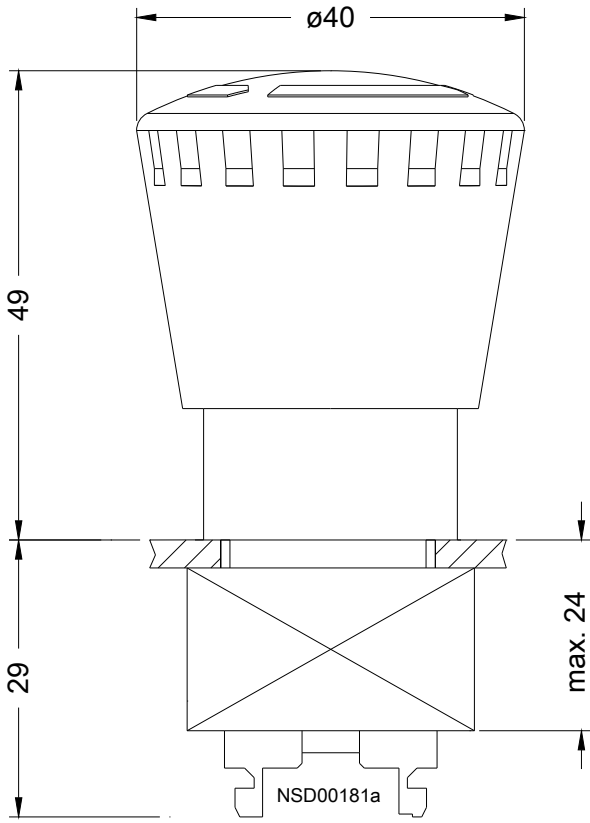
<http://support.automation.siemens.com/WW/CAXorder/default.aspx?lang=en&mlfb=3SB35001HA20>

Service&Support (Manuals, Certificates, Characteristics, FAQs,...)

<https://support.industry.siemens.com/cs/ww/en/ps/3SB35001HA20>

Image database (product images, 2D dimension drawings, 3D models, device circuit diagrams, EPLAN macros, ...)

http://www.automation.siemens.com/bilddb/cax_de.aspx?mlfb=3SB35001HA20&lang=en



last modified:

09.06.2016