

# Sensor Switch User Manual

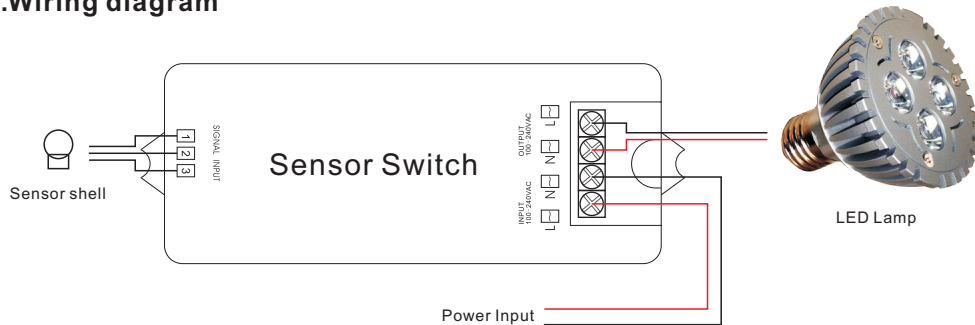
## 1. Product introduction

Sensor Switch is electronic switch that applied in switching on/off for lighting and other devices. At Present, Our sensor dimmers are mainly IR sensor switch(SR-8001A, SR-8001B), LED Touched Sensor Switch (SR-8002), Microwave-Sensor Switch(SR-8003), PIR Sensor Switch (SR-8004), Insulated-Touch Switch( SR-8005).

## 2. Performance Parameter

SR-8001A/8001B/8002/8003/8004/8005 Constant Voltage Sensor Switch  
 Input Voltage: 100-240VAC  
 Load current: 1\*5A  
 Max. Load Power: 1\*500W  
 Working temperature: -20-+50°C  
 Load Type: HV-Halogen lamps, LED Lamps, Electronic ballast

## 3. Wiring diagram



## 4. Feature

Part No.	Feature	Remarks	Photos
SR-8001A	1).8001A,Reflection within detection range cause Switch on, a new motion is detected cause switch off. 2).8001B, Reflection within detection range Cause Switch off, no reflection cause switch on.	Shake hand to turn on/off	
SR-8001B	3).Detection range:1-6cm 4).Dia.of Driling hole:⊙10 mm. 5).Two Sensor Shell can be chosen	No Reflection to Turn on	

SR-8002	Transparent Touch LED indicates the operating status of ON/OFF, switch is to be changed between ON and OFF by touching LED	Detect touch to turn on/off	
SR-8003	1).Detection range:3-20m (depends on installation) 2).Time Display: 1s-10min 3).Time Delay will re-start to work when a new motion is detected 4).To dectect motion to turn on/off	Detect human movement to turn on/off	
SR-8004	1). Rated power: max.250W 2).Detection range:≥3m 3).Power on when person/objects come up sensor switch area, off when person/objects moves away	Detect human movement to turnon/off	
SR-8005	1) Rated Power: max.500W. 2).Sensor line to the maximum length: Max.>200CM. 3).Power on when press the LED light one time and power off when press the LED light again 4). Two sensor shell can be chosen.	Detect touch to turnon/off	