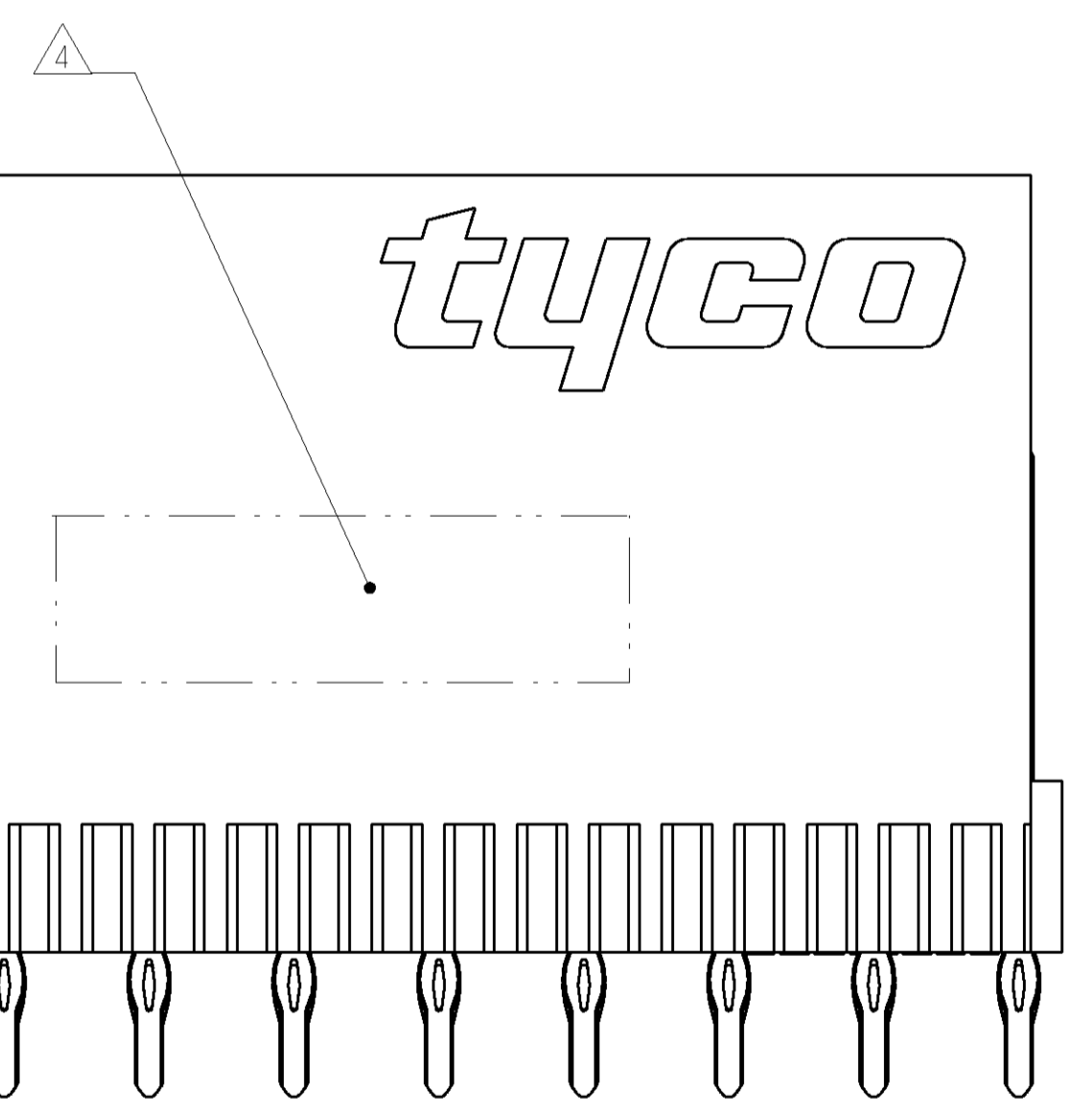
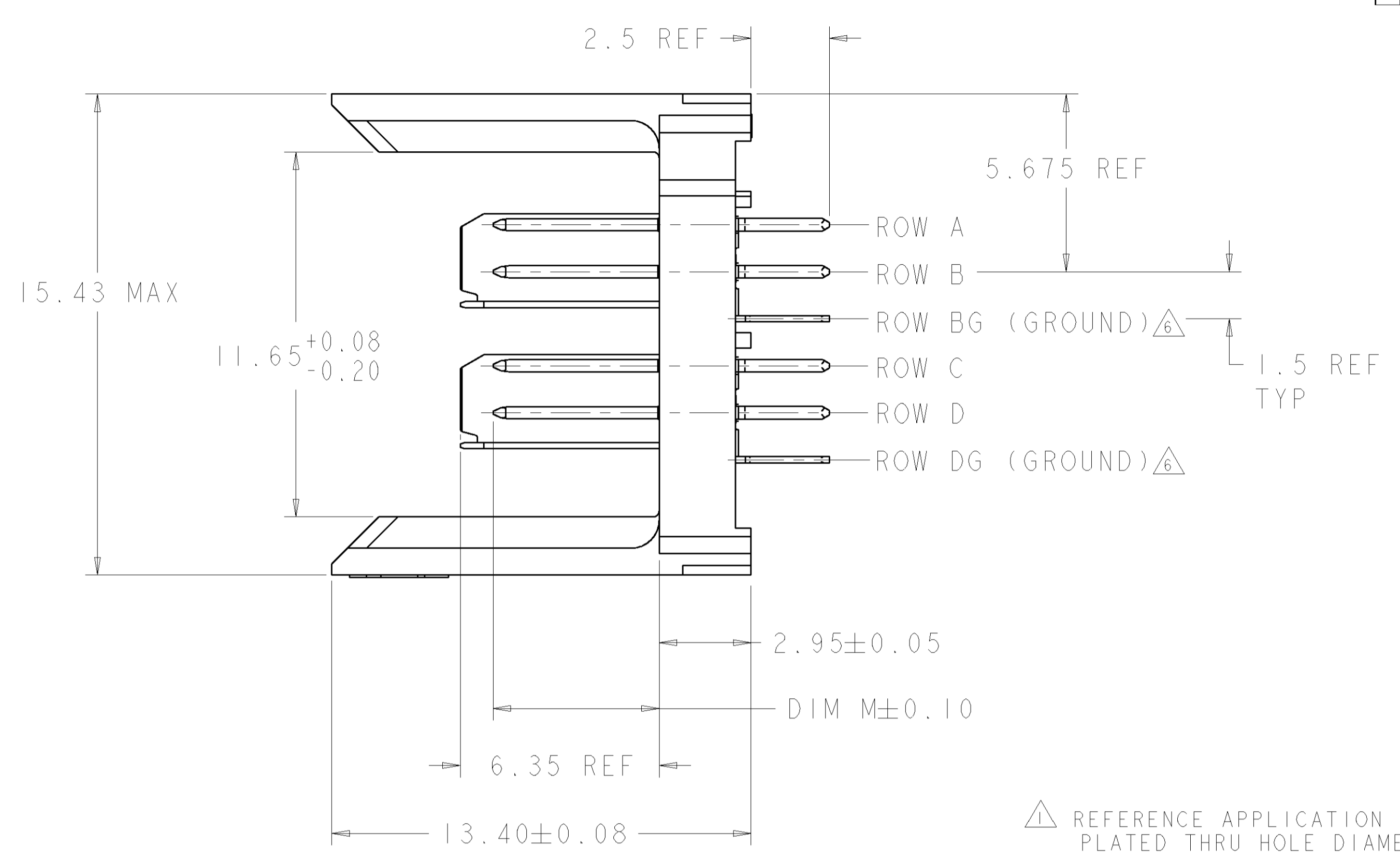
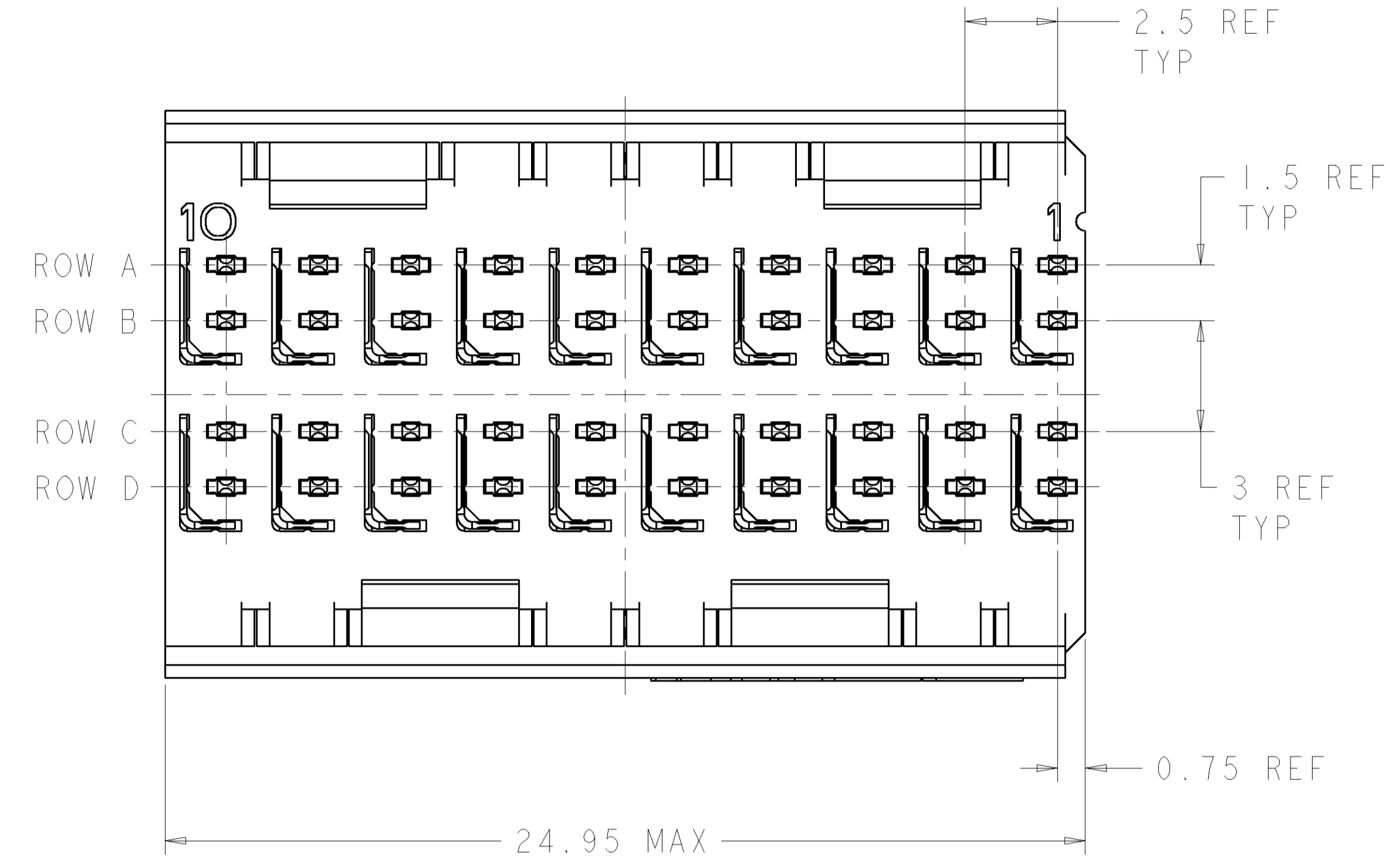
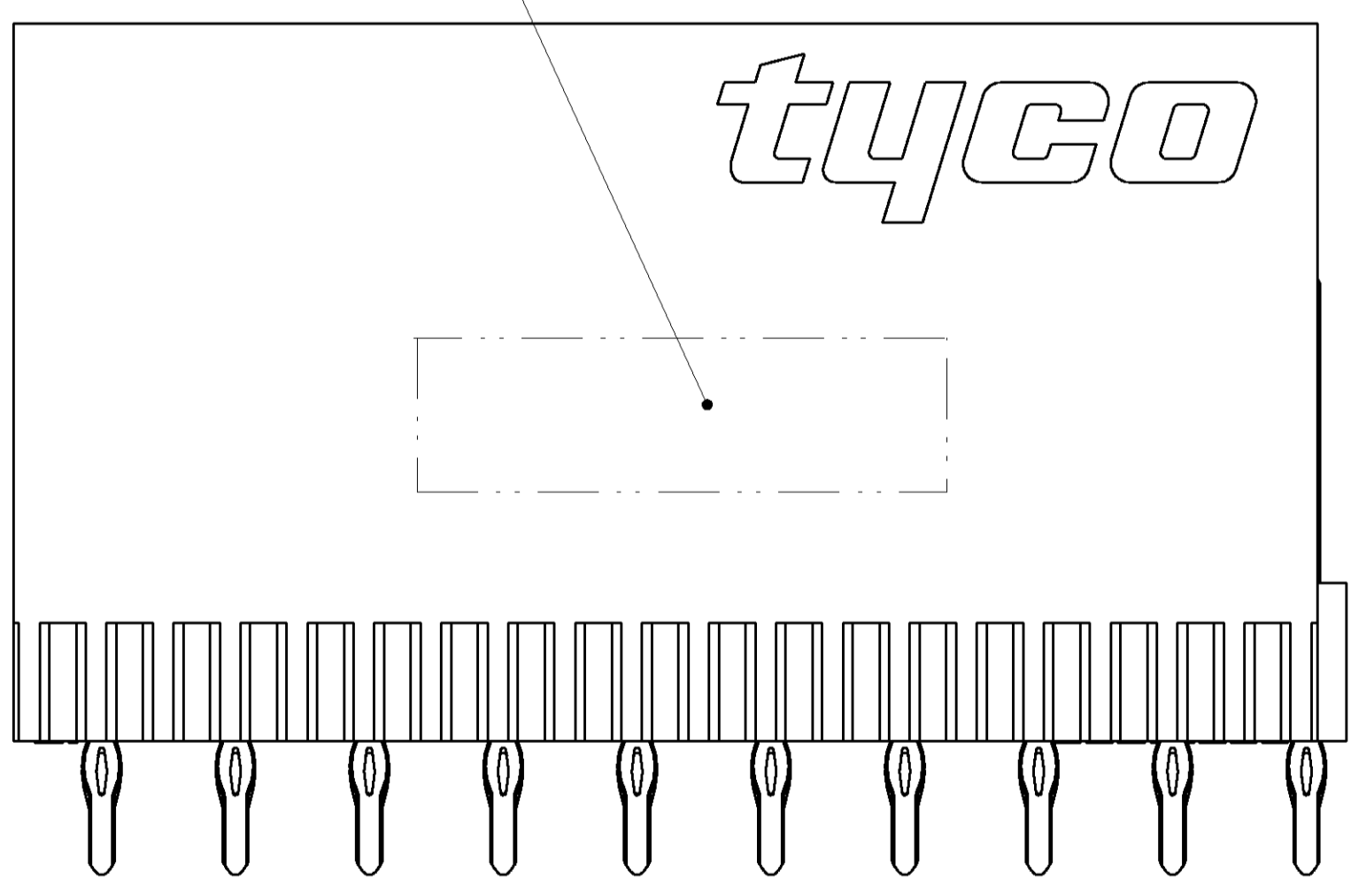


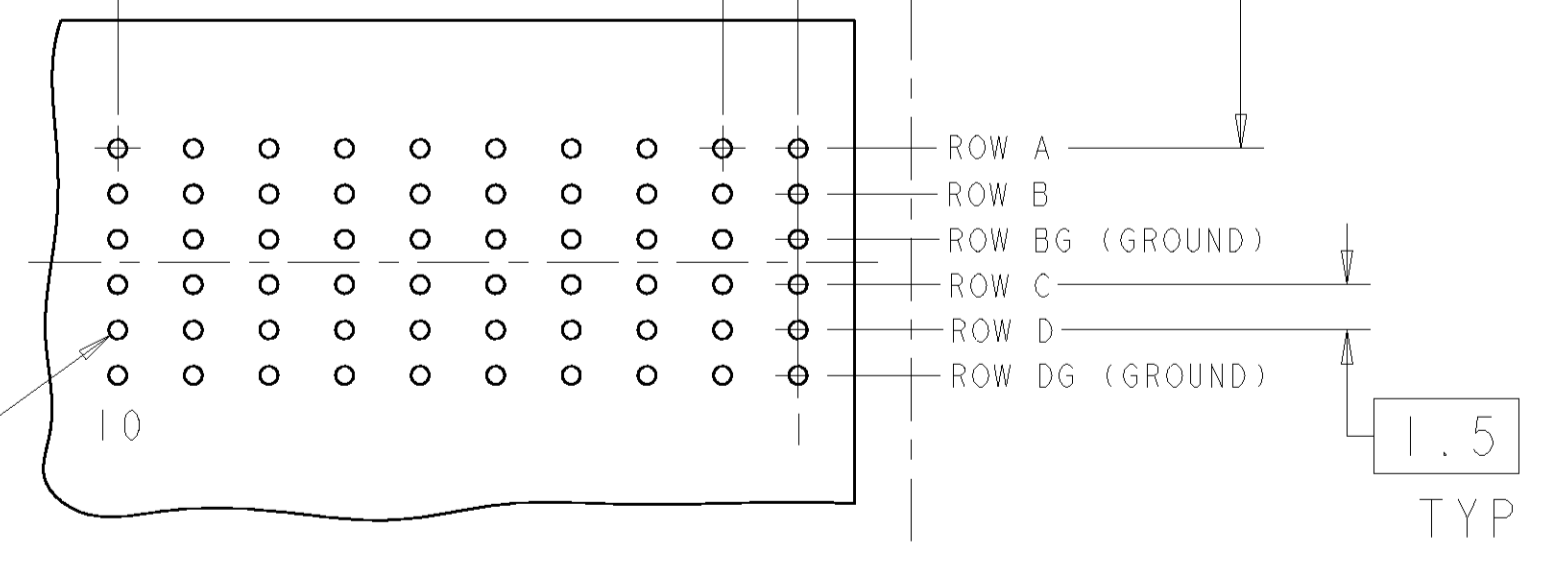
LOC		DIST		REVISIONS			
AD	00	P	LTR	DESCRIPTION	DATE	DWN	APVD
		0		RELEASED PER 0512-0324-04	17JUN2004	SJM	RAP
		01		REV PER ECO-07-018141	16AUG2007	BC	RP



- △ REFERENCE APPLICATION SPEC 114-13059 FOR RECOMMENDED PLATED THRU HOLE DIAMETER AND PLATING THICKNESSES.
 - △ MATERIAL:
CONTACT AND SHIELD - PHOSPHOR BRONZE
HOUSING - GLASS FILLED POLYESTER, UL 94V-0.
 - △ FINISH: CONTACT AND SHIELD
MATING AREA - 0.76µm MIN GOLD OVER 1.27µm MIN NICKEL
COMPLIANT PIN AREA - 0.5µm MIN TIN OVER 1.27µm MIN NICKEL
 - △ CONNECTOR MARKED WITH PART NUMBER AND DATE CODE.
 - △ DATUMS AND BASIC DIMENSIONS ESTABLISHED BY CUSTOMER.
 - △ THE TWO GROUNDS IN EACH COLUMN ARE COMMONED.
7. CONTACT AREA LUBRICATED WITH BELLCORE APPROVED LUBRICANT. TECHNICAL REFERENCE: GR-1217-CORE, ISSUE 1, NOVEMBER 1995.



⊕ ⌀0.05 Ⓢ X Y
 ALL PLATED THRU HOLES



3.80	6469025-2
5.30	6469025-1
DIM M	PART NUMBER

DIMENSIONS: mm 0 PLC ± 1 PLC ± 2 PLC ± 3 PLC ± 4 PLC ± ANGLES ±		TOLERANCES UNLESS OTHERWISE SPECIFIED: 0 PLC ± 1 PLC ± 2 PLC ± 3 PLC ± 4 PLC ± ANGLES ±		DWN S.J. MAGARO 17JUN2004 ENR R.A. PATTERSON 17JUN2004 APVD R. PATTERSON 16AUG2007 PRODUCT SPEC APPLICATION SPEC WEIGHT CUSTOMER DRAWING		Tyco Electronics Harrisburg, PA 17105-3608 NAME HEADER ASSEMBLY, 2 PAIR, 2.5mm TAIL, 25mm, HMZd SIZE CAGE CODE DRAWING NO A1 00779 C=6469025 RESTRICTED TO	
SCALE 8:1 SHEET 1 OF 1 REV 01							