



»» Features

- Miniature PCB surge cube relay with highest rating 20A 125VAC, 16A 277VAC, TV-8 ratings.
- CSA/CUS, TUV, UL/CUL approved.
- UL Class F and high temperature withstand up to 85 degree C.
- SPNO, SPNC, SPDT contact configurations, sealed flux free & sealed washable types are available.
- Ideal for motor control, compressor control for household appliances.
- Contact rating up to 16A 250VAC (SPNO).
- Comply with RoHS-Directive 2002/95/EC.

»» Type List

Terminal style	Contact form	UL Insulation system approval	Designation (provided with)		
			Flux tight	Sealed type	Sealed type washable
PCB terminal	1A (SPNO)	-----	875B-1AC-C	875B-1AC-V	875B-1AC-S
		F	875B-1AC-F-C	875B-1AC-F-V	875B-1AC-F-S
		-----	875B-1AH-C	875B-1AH-V	875B-1AH-S
		F	875B-1AH-F-C	875B-1AH-F-V	875B-1AH-F-S
	1C (SPDT)	-----	875B-1CC-C	875B-1CC-V	875B-1CC-S
		F	875B-1CC-F-C	875B-1CC-F-V	875B-1CC-F-S
		-----	875B-1CH-C	875B-1CH-V	875B-1CH-S
		F	875B-1CH-F-C	875B-1CH-F-V	875B-1CH-F-S

»» Ordering Information

875 B - 1A C - F - C
 1 2 3 4 5 6

- | | |
|---|--|
| 1. 875 -- Basic series designation

2. B -- Barrier provided between coil and frame

3. 1A -- Single pole normally open
1B -- Single pole normally closed
1C -- Single pole double throw

4. C -- Contact material AgNi
CA -- Contact material AgNi + Au | H -- Contact material AgSnO
HA -- Contact material AgSnO + Au

5. Blank -- Standard type
F -- Class F

6. C -- Flux tight
V -- Sealed type
S -- Sealed type washable |
|---|--|

»» Contact Rating

	1A	1B	1C
Resistive load	16A 240VAC	12A 240VAC	NO/NC : 16A/12A 240VAC 16A 240VAC (*)

»» Coil Rating (DC)

Rated voltage (V)	Rated current $\pm 10\%$ at 23 °C (mA)	Coil resistance $\pm 10\%$ at 23 °C (Ω)	Max. continuous voltage at 85 °C	Pick up voltage(Max) at 23 °C	Drop out voltage(Min) at 23 °C	Power consumption at rated voltage
3	120	25	150 % of rated voltage	75 % of rated voltage	5 % of rated voltage	approx. 0.36W
5	73	69				
6	60	100				
9	40	225				
12	30	400				
18	20	900				
24	15	1600				
36	10	3600				
48	7.5	6400				

»» Specification

Contact material	AgSnO / AgNi alloy	
Contact resistance ⁽¹⁾	100m Ω Max.	
Operate time ⁽¹⁾	15ms Max.	
Release time ⁽¹⁾	10ms Max.	
Insulation resistance ⁽¹⁾	100M Ω Min. (DC 500V)	
Dielectric strength ⁽¹⁾	Between open contact	: AC 1000V, 50/60Hz 1 min.
	Between contact and coil	: AC 2500V, 50/60Hz 1 min.
Vibration resistance	Operating extremes	10~50Hz , amplitude 1.0 mm
	Damage limits	10~50Hz , amplitude 1.0 mm
Shock resistance	Operating extremes	10G
	Damage limits	100G
Life expectancy	Mechanical	10,000,000 operations (frequency 18,000 operations/hr)
	Electrical	100,000 operations (※50,000 operations) (frequency 360 operations/hr)
Operating ambient temperature	-40~+85 °C (no freezing)	
Weight	Approx. 10 g	

Note : (1) initial value

»» Safety Approval

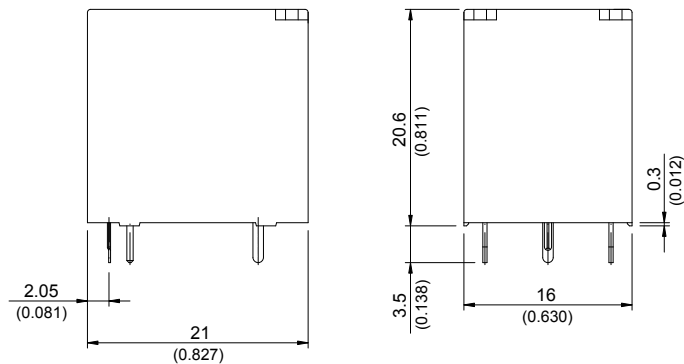
Certified	CSA / CUS	TUV	UL / CUL
File No.	1474282	R3-50006128	E88991

»» Safety Approval Rating

CSA / CUS, UL / CUL			
AgNi		AgSnO	
NO	NC	NO	NC
17A 250VAC	15A 250VAC	20A 125VAC	20A 125VAC
20A 125VAC	20A 125VAC	17A 250VAC	10A 250VAC
1HP 8FLA 250VAC	1/2HP 4.9FLA 250VAC	1HP 8FLA 250VAC	1/2HP 4.9FLA 250VAC
	1/2HP 9.8FLA 125VAC	1HP 16FLA 125VAC	1/2HP 9.8FLA 125VAC
		17FLA 30LRA 250VAC	TV-8
		TV-8	

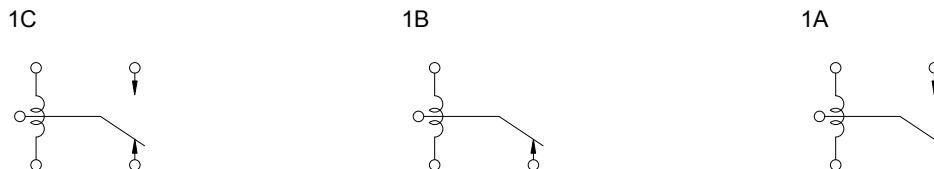
TUV
16A 250VAC
20A 125VAC

»» Outline Dimensions



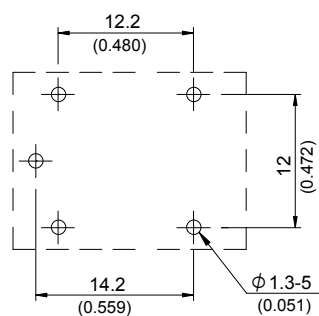
»» Wiring Diagram

BOTTOM VIEW



»» PC Board Layout

BOTTOM VIEW



»» Engineering Data

