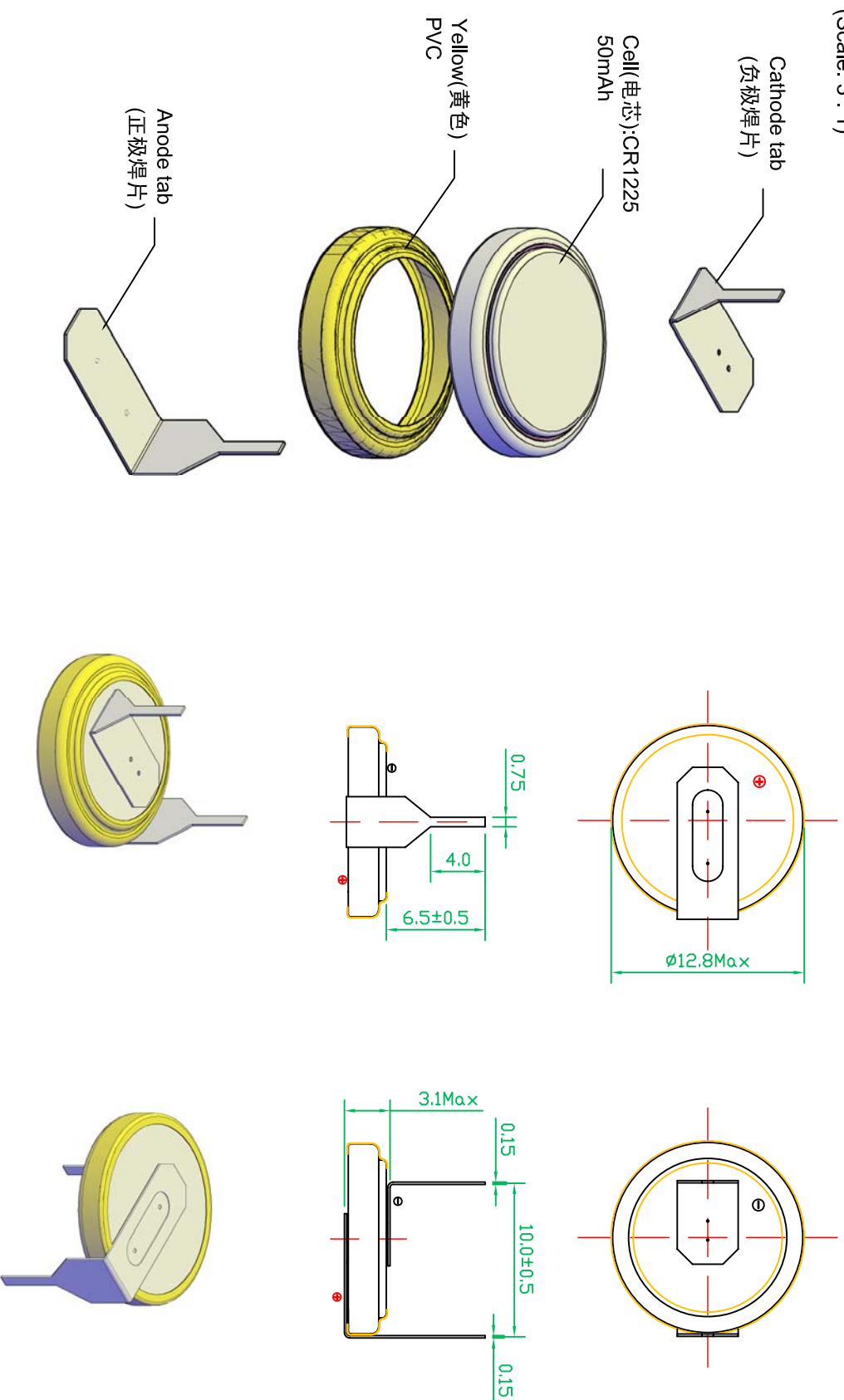


(Scale: 3 : 1)



4	ROHS Compliant / 严格按照ROHS要求生产	EEMB BATTERY		Drawn:	Moyongdi	Revise No.:	E4+2009		
3	Cathode tab / 负极焊片			Stainless steel plated with nickel / 不锈钢镀镍	Checked 1:	Jane	Projection:		
2	Anode tab / 正极焊片			Stainless steel plated with nickel / 不锈钢镀镍	Checked 2:	Keyan	Page:	1/1	
1	Cell / 电芯	Button, Yellow PVC, with date code 扣式, 包黄色PVC, 电芯表面喷码		Approved:		Scale:	2.5: 1		
NO.	Parts	Description		File NO.	A00030	Draw Date:	09/12/28	Unit:	mm