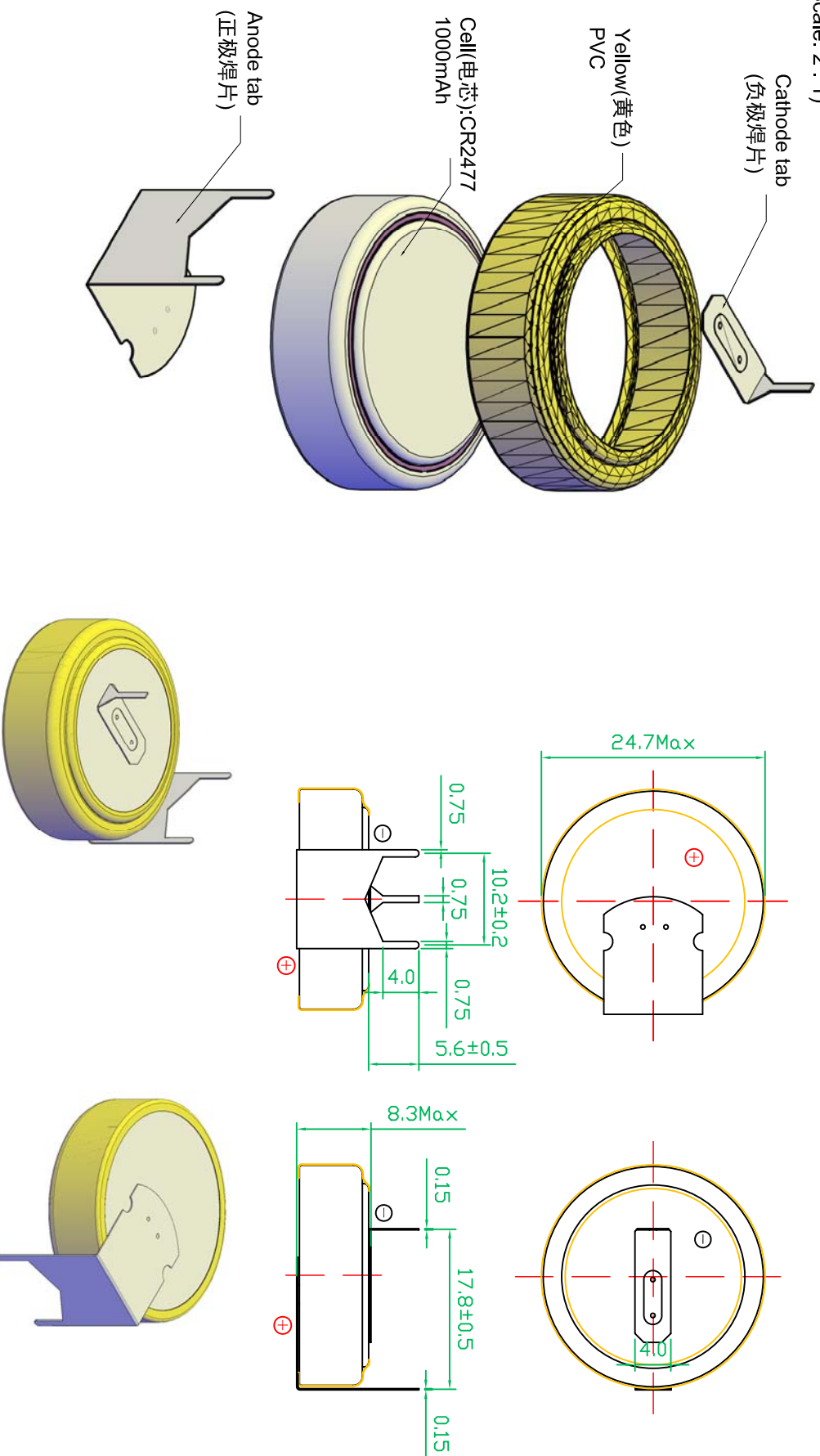




(Scale: 2 : 1)



4	ROHS Compliant / 严格按照ROHS要求生产	 EMB BATTERY		Drawn:	Moyongdi	Revise No.:	E4+2009	
3	Cathode tab / 负极焊片			Stainless steel plated with nickel / 不锈钢镀镍	Checked 1:	Lixiaoyong	Projection:	
2	Anode tab / 正极焊片			Stainless steel plated with nickel / 不锈钢镀镍	Checked 2:	Keyan	Page:	1/1
1	Cell / 电芯			Button, Yellow PVC, with date code 扣式, 包黄色PVC, 电芯表面喷码	Approved:		Scale:	1.5: 1
NO.	Parts	Description	File NO.	A00373	Draw Date:	2010/11/22	Unit:	mm