

Blue PVC, with date code
(蓝色PVC, 表面喷码)

Cell(电芯):LIR043048A

Insulation mat
(绝缘垫片)

PCM

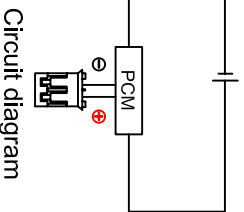
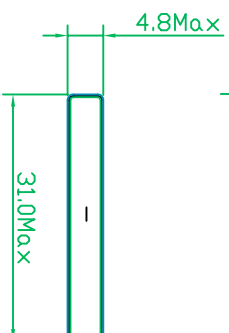
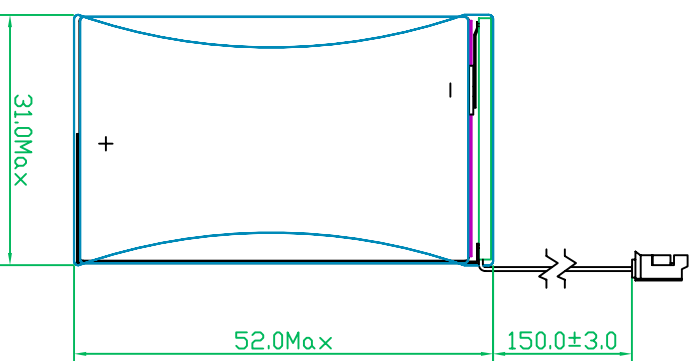
Ni-Tap
(连接镍带)

Wire引线(+):Red红,
UL1007 AWG24

Wire引线(-):Black黑,
UL1007 AWG24

Connector(插头):
JST-PHR-02

Blue(蓝色) PVC



Circuit diagram

- Remark(备注):
1. Pack :3.7V 600mAh, safety circuit and wires Blue PVC, with date code. 电池包:3.7V 600mAh. 保护电路及输出引线, 包蓝色PVC, 表面喷码
 2. Overcharge Detection Voltage(过充保护电压):4.28±0.05V
Overdischarge Detection Voltage(过放保护电压):2.3±0.1V
 3. Overcurrent Detection(过流值):2-6A

3. RoHS Compliant.
严格按照RoHS要求生产.

EMB BATTERY

Drawn:	Pengling	Revise No.:	E4-2009
Checked 1:	Jane	Projection:	
Checked 2:		Page:	1/1
Approved:		Scale:	1 : 1
Draw Date:	2012/02/23	Unit:	mm

Title: LIR043048A-PCM-LD/
File NO. A05952