

The Audio/Video Module from Avnet Design Services speeds time to market for designers, offering a platform to develop and test products that are targeted to an audio and/or video environment. The Audio/Video Module will connect to a host via a standard AvBus connector and will provide video interfaces to accommodate different RGB monitors and LCD panels, as well as standard definition television monitors. The Audio/Video Module also provides the ability to capture composite video, and an audio CODEC is provided to facilitate audio processing. A PS2 keyboard and mouse interface is provided as well as a touchscreen controller.

### Features:

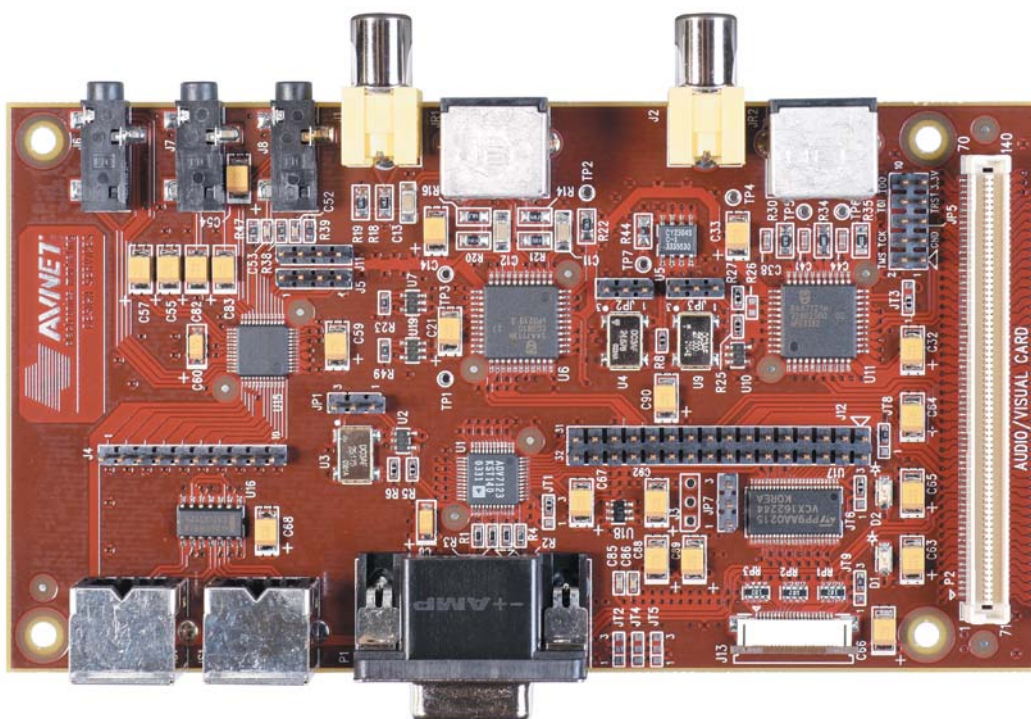
- ▲ Philips SAA7113H video input processor
- ▲ Philips SAA7121H digital video encoder
- ▲ Analog Devices ADV7123 140MHz triple video DAC
- ▲ Philips UCB1400 stereo 20-bit audio CODEC
- ▲ Interface for OmniVision OV6630AA CMOS color digital camera
- ▲ Interface for Fujitsu MB86S02A CMOS color digital camera
- ▲ Interface for Sharp LQ057Q3DC02 color TFT LCD module
- ▲ AvBus expansion connector
- ▲ X/Y touchscreen controller
- ▲ PS2 keyboard and mouse interfaces
- ▲ Downloadable VHDL source for sample applications

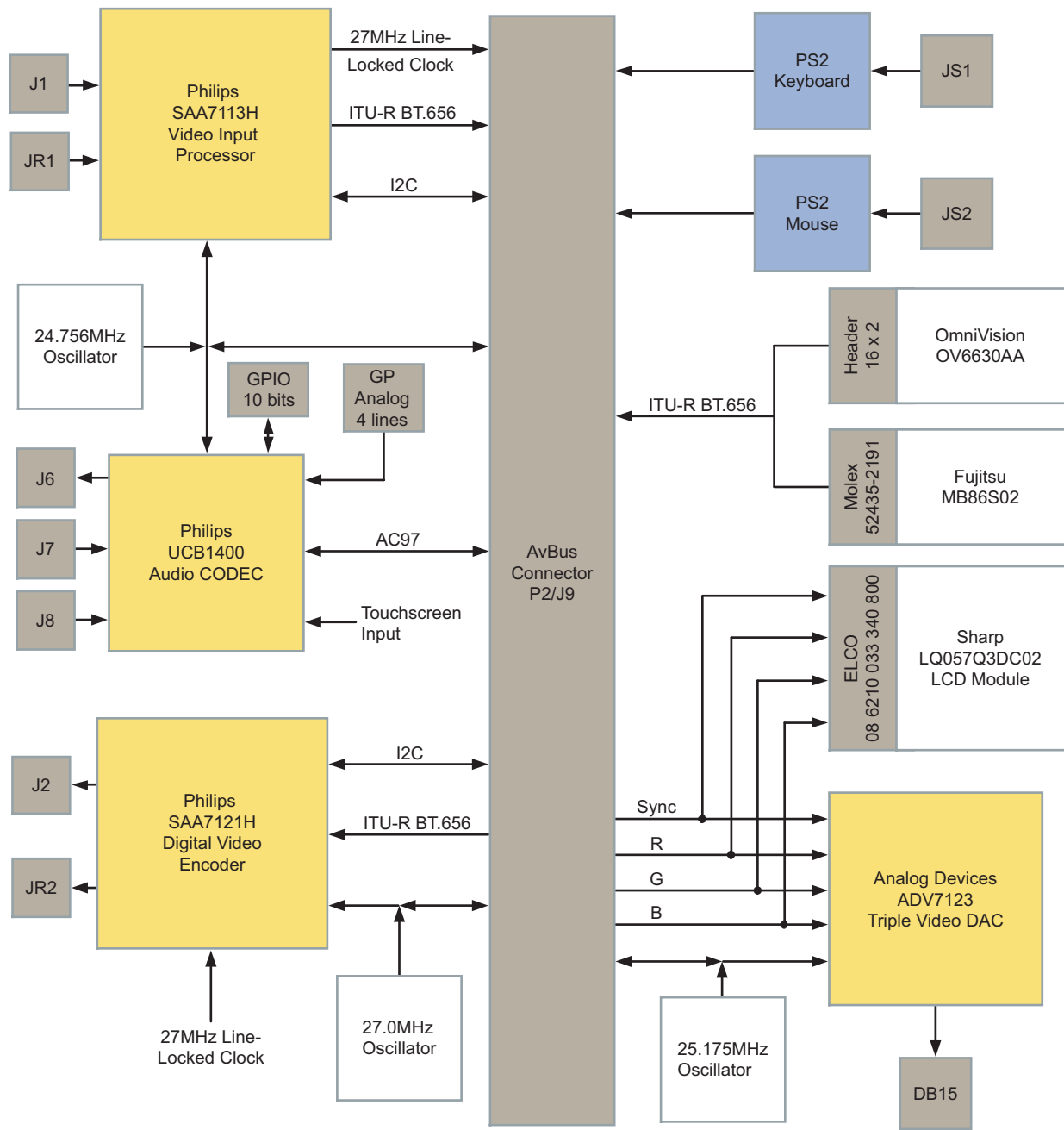
### The Audio/Video Module includes:

- Audio/Video Module
  - User's guide
  - Bill of materials
  - Schematics

### Target Applications:

- ▲ Consumer
- ▲ Industrial
- ▲ Digital convergence products





Supporting suppliers:



**Ordering Information:**

Part Number	Hardware	Resale
ADS-AV-DAU	Audio/Video Module	\$300.00 USD

**Contact Information:**

<b>North America</b> 2211 South 47th St. Phoenix, Arizona 85034 United States Tel: +1 800 585 1602	<b>Europe</b> Gruber Str. 60 85586 Poing Germany Tel: +49 (0) 8121 777279	<b>Asia</b> 7 Changi South St. 2 #01-00 Singapore, 486415 Tel: +6580 6000
--	---	---

[www.em.avnet.com/ads](http://www.em.avnet.com/ads)

