

SPECIFICATIONS

Mechanical

Contact Retention Force: N/A
 Durability : 25 Cycles

Electrical

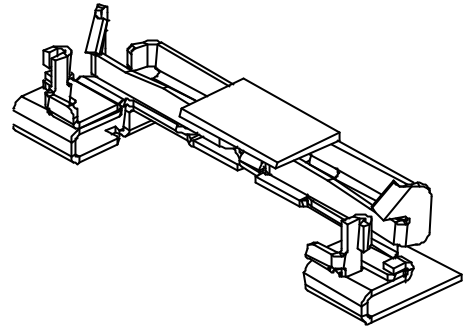
Voltage Rating: N/A
 Current Rating: N/A
 Contact Resistance: N/A
 Dielectric Withstanding Voltage: N/A
 Insulation Resistance: N/A

Physical

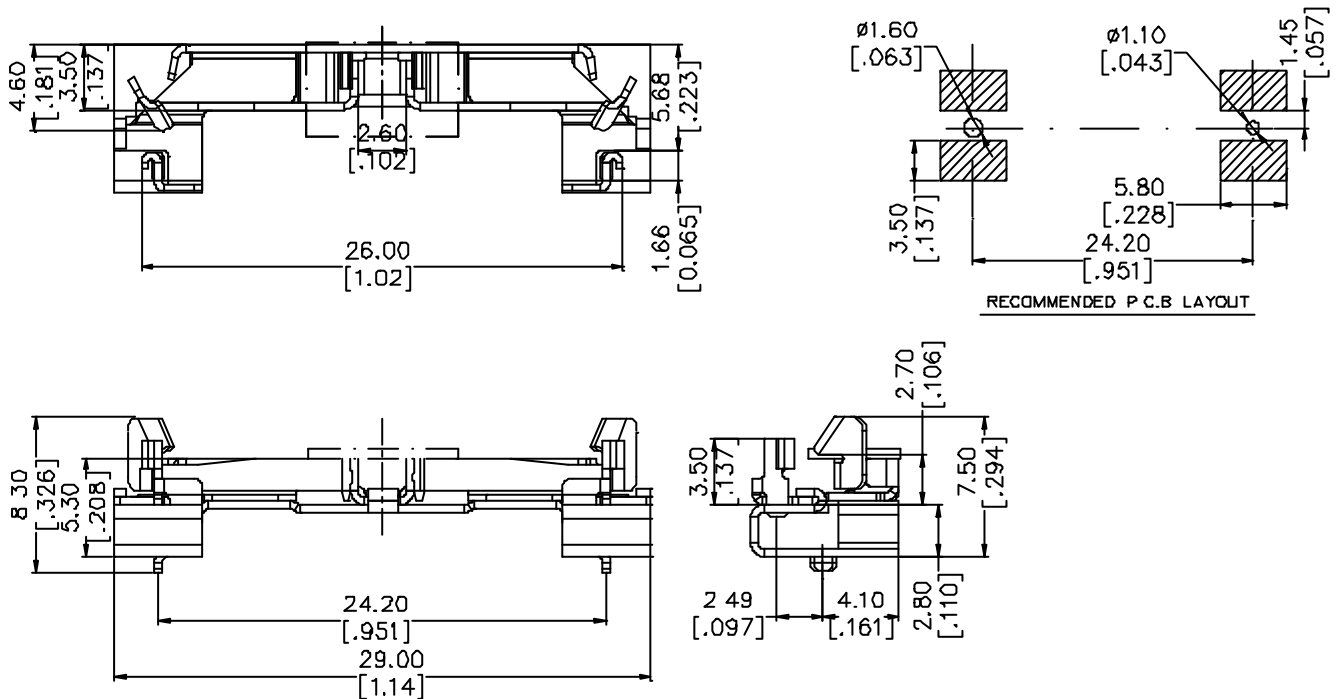
Cap: Thermoplastic, UL 94V-0 rated in Ivory Color
 Metal Spring: Stainless steel
 Plating: See "ORDERING INFORMATION"
 Operating Temperature: -40 to +85

MINI PCI Express Socket

AS Series
 6.8mm Height SMT Type
 0.80mm [.031"] Pitch
 52 Pos. CLIP



DRAWING



ORDERING INFORMATION

PRODUCT NO.: **AS0B226-S68K-F**

- Memory Module Socket
- Horizontal Type
- Single Row
- No. of Pos. B2=52 Pos.
- SMT Type
- Contact Area Plating 6=10u" Gold
- Lead Free
- 4=Soft Tray
- 7=Tape Reel Only Clip
- 68=6.8mm Height
- Short Body