



BRIGHT LED ELECTRONICS CORP.

LED LAMPS SPECIFICATION

TOTAL PAGE: 2
 PAGE: 1
 REVISION: 1.1

- COMMODITY : LAMP / HOLDER ASSEMBLY
- DEVICE NUMBER : BL-C2

SHEET DATE	1	2									CONTENTS
1998.05.04	1.0	1.0									Initial Released
2003.06.23	1.1	1.1	-	-							Revise Dimension

TOTAL PAGE	2	2																		
------------	---	---	--	--	--	--	--	--	--	--	--	--	--	--	--	--	--	--	--	--

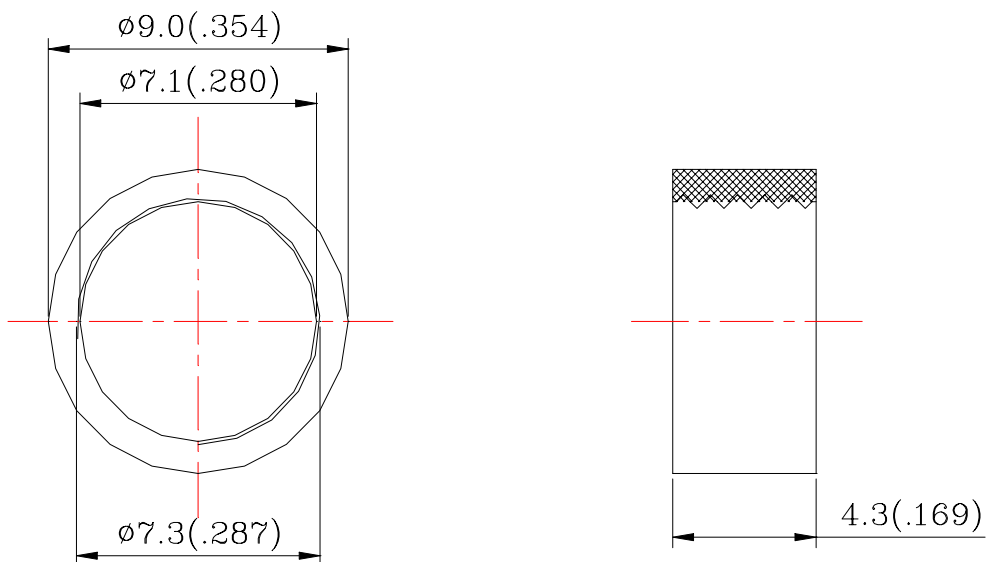
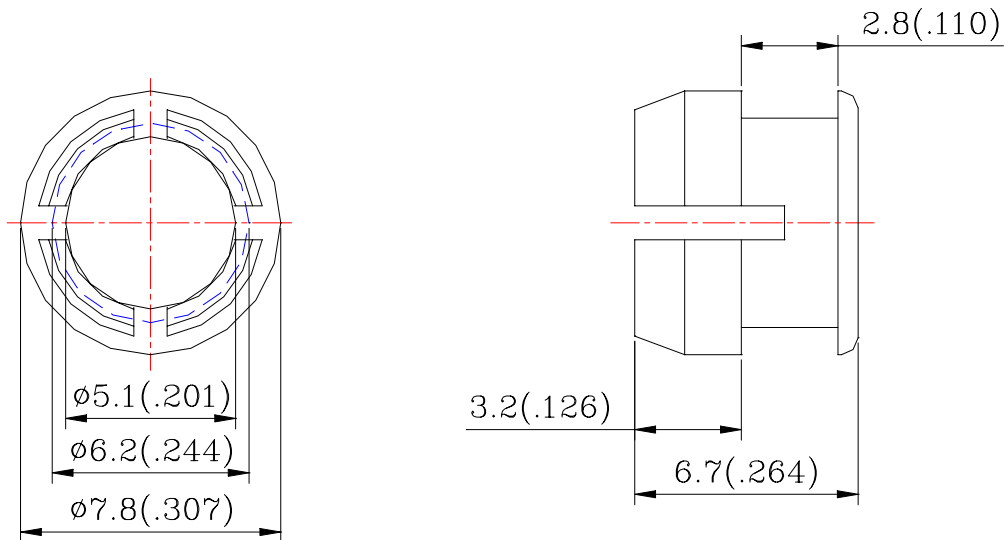
佰鴻工業股份有限公司
BRIGHT LED ELECTRONICS CORP.
 台北縣板橋市和平路 19 號 3 樓
 3F., No. 19, Ho Ping Road, Pan Chiao City,
 Taipei, Taiwan, R. O. C.
 Tel: 886-2-29591090
 Fax: 886-2-29547006/29558809
www.brtled.com

APPROVED	DRAWER

BRIGHT LED ELECTRONICS CORP.

BL-C2

PAGE: 2
VERSION : 1.1



- NOTES: 1.All dimensions are in millimeters (inches).
2.Tolerance is $\pm 0.25\text{mm}$ (0.01") unless otherwise specified.
3.Lead spacing is measured where the leads emerge from the package.
4.Specifications are subject to change without notice.