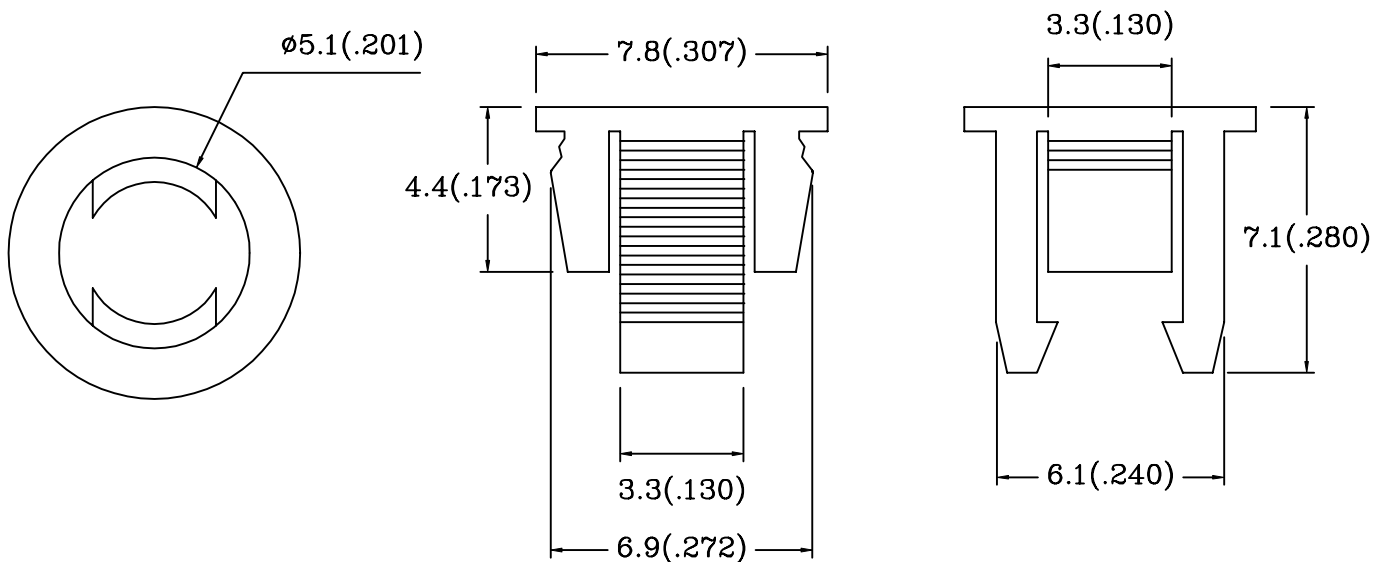


BRIGHT LED ELECTRONICS CORP.

VERSION: 1.0 / 2000.10.20

BL-C2S



NOTE:

1. All dimensions are in millimeters (inches).
2. Tolerance is $\pm 0.25\text{mm} (.010\text{'})$ unless otherwise specified.
3. Specifications are subject to change without notice.

RELEASED:



ENGINEER:

