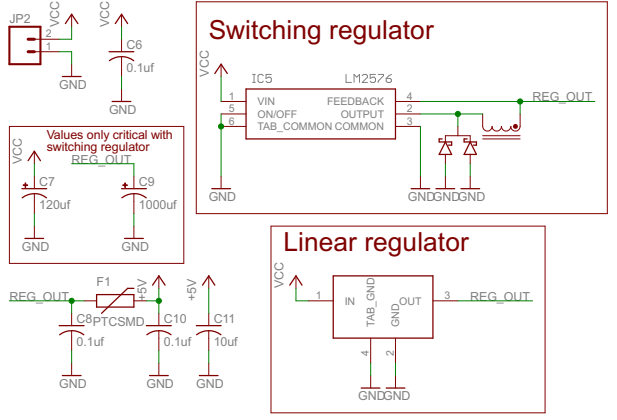
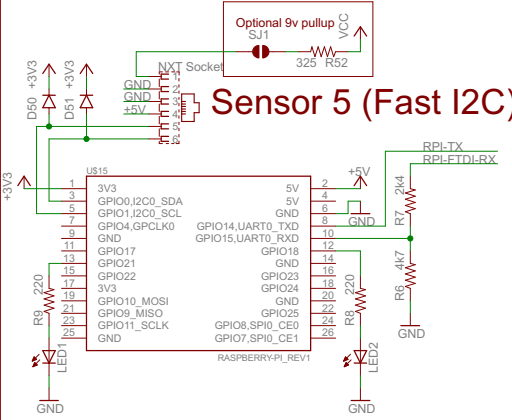


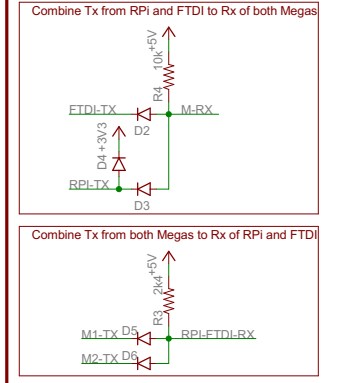
Power supply



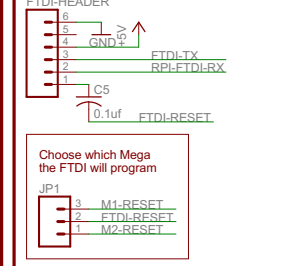
Raspberry Pi interface



UART combining

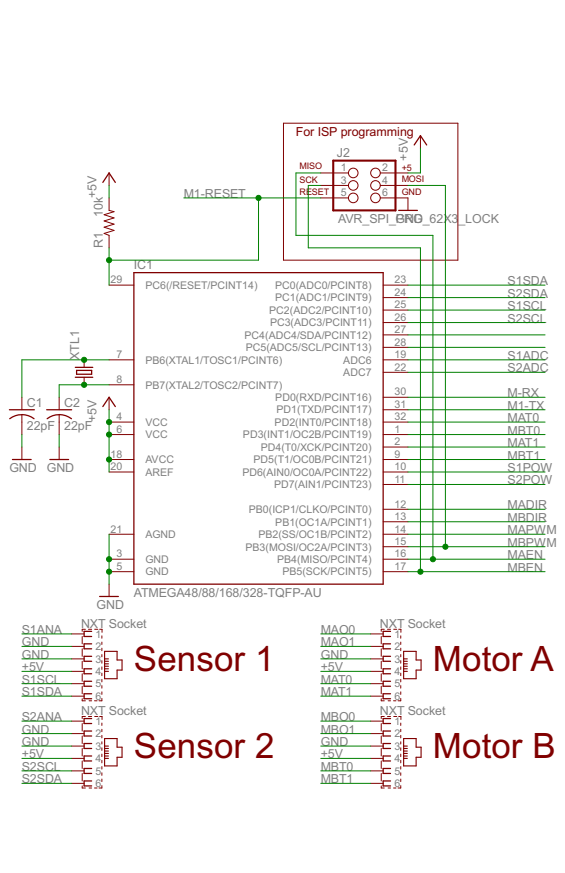


FTDI AtMega programming

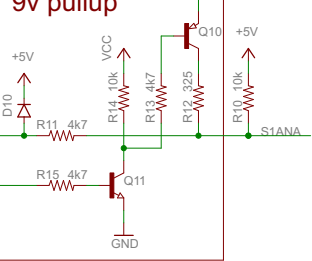


AtMega328 #1

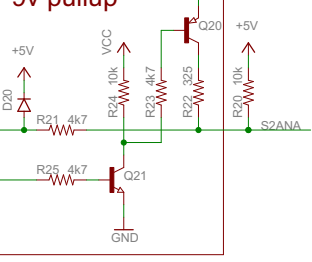
Sensor port pin 6 needs ADC



Sensor 1 9v pullup

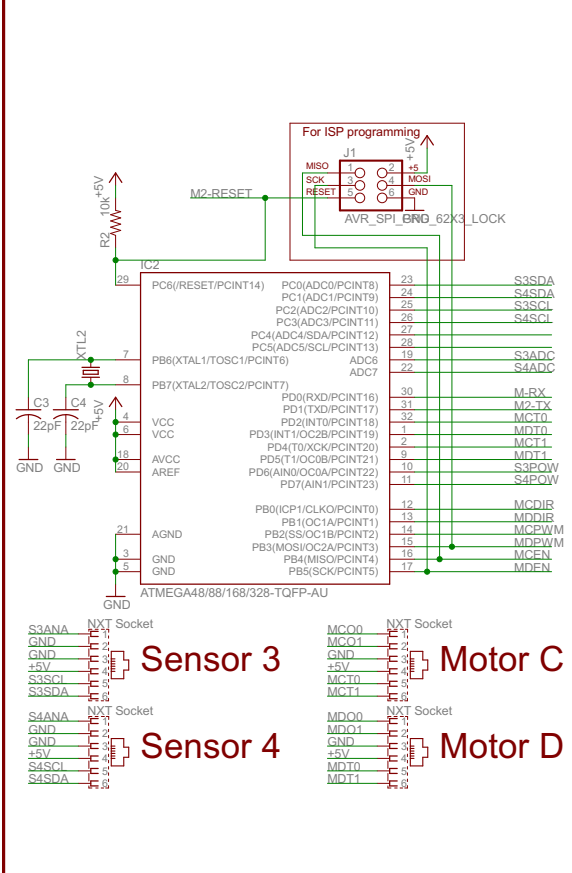


Sensor 2 9v pullup

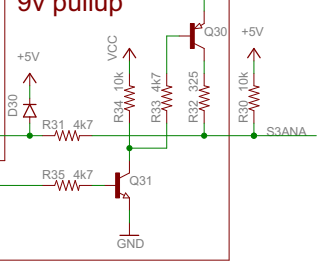


AtMega328 #2

Sensor port pin 6 needs ADC



Sensor 3 9v pullup



Sensor 4 9v pullup

