

BRIGHT LED ELECTRONICS CORP.

LED DISPLAY SPECIFICATION

●COMMODITY : 0.56"(14.20mm) SINGLE DIGIT LED DISPLAY

●DEVICE NUMBER : BS-C514RD

VERSION : 1.0 /2001.03.08

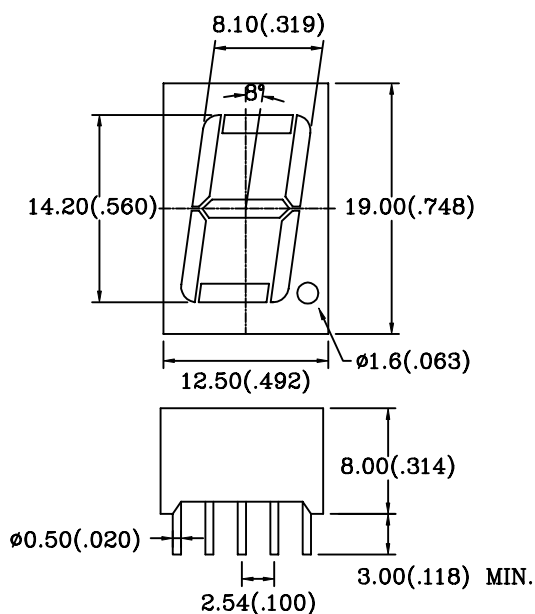
●ELECTRICAL AND OPTICAL CHARACTERISTICS (Ta=25°C)

Chip		Absolute Maximum Rating				Electro-optical Data (At 10mA)			Surface Color	Segment Color
Emitted Color	Peak Wave Length λ_P (nm)	$\Delta \lambda$ (nm)	Pd (Mw)	If (mA)	Peak If(mA)	Vf(V)		Iv Typ. (mcd)		
						Typ.	Max.			
Hi-Eff Red	635	45	80	30	150	2.0	2.5	3.0	Black	White

●ABSOLUTE MAXIMUM RATINGS (Ta=25°C)

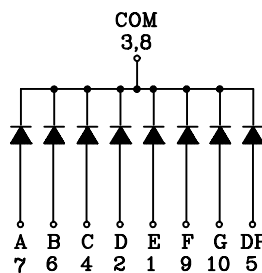
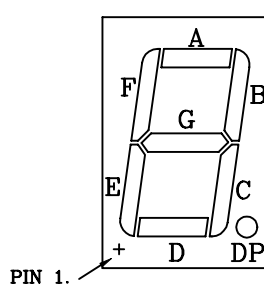
Reverse Voltage	5V
Reverse Current (-Vr=5V)	50 μ A
Operating Temperature Range	-40°C ~ 80°C
Storage Temperature Range	-40°C ~ 85°C
Lead Soldering Temperature (1/16" From Body).....	260°C For 5 Seconds

PACKAGE DIMENSIONS:



- NOTES:
 1. All dimensions are in millimeters(inches).
 2. Tolerance is ± 0.25 mm(.01") unless otherwise specified.
 3. Specifications are subject to change without notice.

PIN FUNCTIONS:



RELEASED:



ENGINEER:

