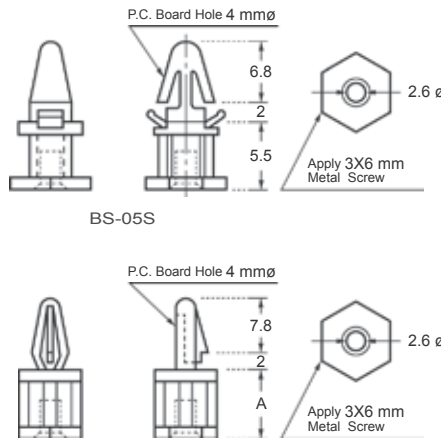




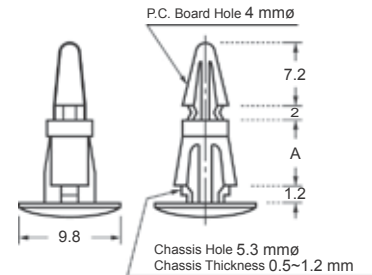
190-3010 Screw Fastened Circuit Board Supports



Cat. No.	A		Std. Pkg. pcs
	mm	Inch	
BS - 05S	5.5	7/32 "	1000
BS - 10S	9.6	3/8 "	
BS - 13S	12.6	1/2 "	
BS - 19S	19.1	3/4 "	
BS - 28S	28.1	1 1/8 "	

- Material : Nylon PA 66 (UL 94V-2).
- Color : Natural.
- The minimal chassis protrusion makes it easy to install in locations with limited space.
- The board-mount head locks and release by hand easily.
- Application: A 3 mm hole is to be pre-drilled on chassis for 3 X 6 mm metal screw to obtain maximum stability.

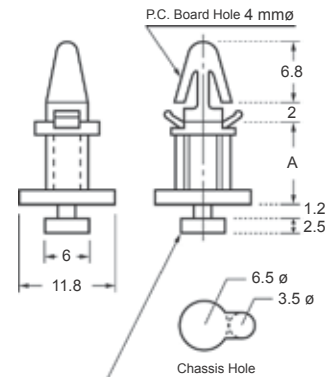
190-4010 Reverse Locking Circuit Board Supports



Cat. No.	A		Std. Pkg. pcs
	mm		
BS - 06R	6.2		1000
BS - 07R	6.8		
BS - 08R	8		
BS - 10R	9.5		
BS - 12R	12		
BS - 14R	14		
BS - 16R	16		
BS - 18R	18		

- Material : Nylon PA 66 (UL 94V-2).
- Color : Natural.
- Insert from chassis underside.
- Spring-lock support, installs and releases by hand.
- Minimal protrusion under board.
- Attractive button head.

190-5010 Moving Circuit Board Supports



Cat. No.	A		Std. Pkg. pcs
	mm	Inch	
BS - 05M	5.8	7/32 "	1000
BS - 12M	12.7	1/2 "	

- Material : Nylon PA 66 (UL 94V-2).
- Color : Natural.
- Make a hole like the one shown in the diagram left.
- Insert the support from up-side of chassis.
- Slide the support to smaller hole to firmly secure the support.