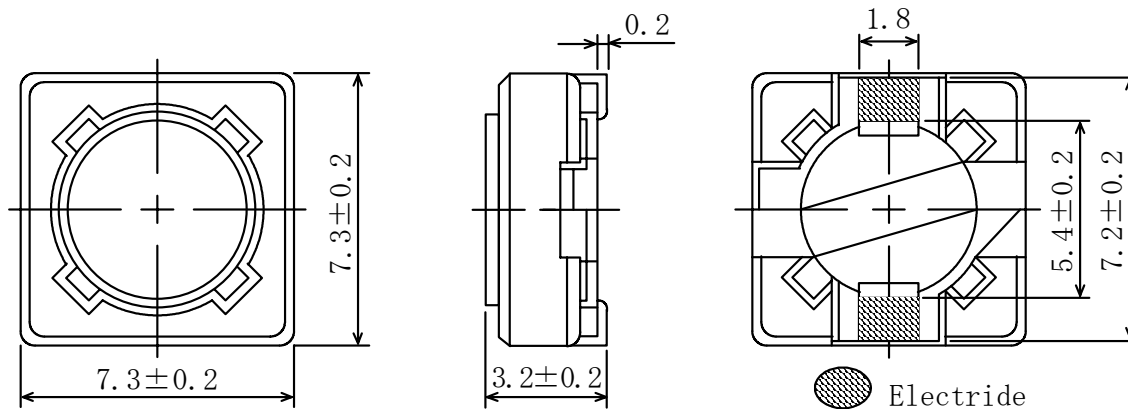
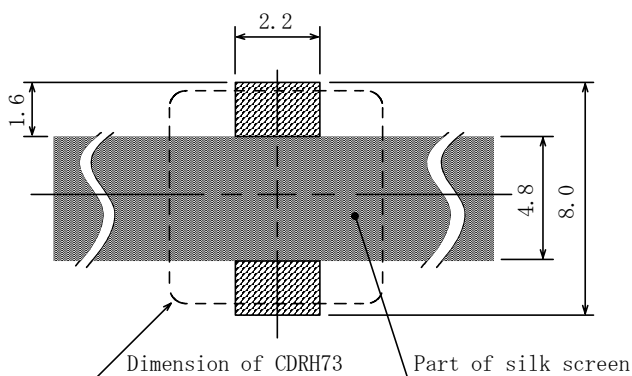


Type: CDRH73
◆ Product Description

- 7.5×7.5mm Max.(L×W), 3.4mm Max. Height.
- Inductance Range:10 μ H~1.0mH
- Rated current range: 0.16~1.68A
- In addition to the standard versions of inductors shown here, custom inductors are available to meet your exact requirements.


◆ Feature

- Magnetically shielded construction.
- Ideally used in Notebook PC, LCD TV,DVD, Game machine, STB ,Projector,etc as DC-DC Converter inductors.
- RoHS Compliance

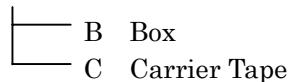
◆ Dimensions (mm)

◆ Land Pattern (mm)


Type: CDRH73
◆ Specification

Part No. ※	Stamp	Inductance [Within] 1 kHz/1V	D.C.R.(Ω) Max.(Typ.) (at 20°C)	Rated Current (A)※1
CDRH73NP-100M□ CDRH73NP-120M□	100 120	10 μH ± 20% 12 μH ± 20%	72m (55m) 98m (75m)	1.68 1.52
CDRH73NP-150M□ CDRH73NP-180M□	150 180	15 μH ± 20% 18 μH ± 20%	0.13 (96m) 0.14 (0.11)	1.33 1.20
CDRH73NP-220M□ CDRH73NP-270M□	220 270	22 μH ± 20% 27 μH ± 20%	0.19 (0.15) 0.21 (0.16)	1.07 0.96
CDRH73NP-330M□ CDRH73NP-390M□	330 390	33 μH ± 20% 39 μH ± 20%	0.24 (0.18) 0.32 (0.25)	0.91 0.77
CDRH73NP-470M□ CDRH73NP-560M□	470 560	47 μH ± 20% 56 μH ± 20%	0.36 (0.28) 0.47 (0.36)	0.76 0.68
CDRH73NP-680M□ CDRH73NP-820M□	680 820	68 μH ± 20% 82 μH ± 20%	0.52 (0.40) 0.69 (0.53)	0.61 0.57
CDRH73NP-101M□ CDRH73NP-121M□	101 121	100 μH ± 20% 120 μH ± 20%	0.79 (0.61) 0.89 (0.69)	0.50 0.49
CDRH73NP-151M□ CDRH73NP-181M□	151 181	150 μH ± 20% 180 μH ± 20%	1.27 (1.02) 1.45 (1.16)	0.43 0.39
CDRH73NP-221M□ CDRH73NP-271M□	221 271	220 μH ± 20% 270 μH ± 20%	1.65 (1.32) 2.31 (1.85)	0.35 0.32
CDRH73NP-331M□ CDRH73NP-391M□	331 391	330 μH ± 20% 390 μH ± 20%	2.62 (2.10) 2.94 (2.35)	0.28 0.26
CDRH73NP-471M□ CDRH73NP-561M□	471 561	470 μH ± 20% 560 μH ± 20%	4.18 (3.35) 4.67 (3.73)	0.24 0.22
CDRH73NP-681M□ CDRH73NP-821M□	681 821	680 μH ± 20% 820 μH ± 20%	5.73 (4.58) 6.54 (5.23)	0.19 0.18
CDRH73NP-102M□	102	1.0 mH ± 20%	9.44 (7.55)	0.16

※ Description of part name

CDRH73NP-100M□



 ※1 Rated current: The DC current at which the inductance decreases to 75% of its nominal value or when $\Delta t=40^{\circ}\text{C}$, whichever is lower ($T_a=20^{\circ}\text{C}$).