

CM2020-00TR

HDMI Transmitter Port Protection and Interface Device

Product Description

The CM2020-00TR HDMI Transmitter Port Protection and Interface device is specifically designed for next generation HDMI source interface protection.

An integrated package provides all ESD, level shift, overcurrent output protection and backdrive protection for an HDMI port in a single 38-Pin TSSOP package.

The CM2020-00TR part is specifically designed to complement the CM2021 protection part in HDMI receivers (Displays, DTV, CE devices, etc.)

The CM2020-00TR also incorporates a silicon overcurrent protection device for +5 V supply voltage output to the connector.

Features

- HDMI 1.3 Compliant
- 0.05 pF Matching Capacitance between the TMDS Intra-Pair
- Overcurrent Output Protection
- Level Shifting/Isolation Circuitry
- Provides ESD Protection to IEC61000-4-2 Level 4
 - ◆ 8 kV Contact Discharge
 - ◆ 15 kV Air Discharge
- Matched 0.5 mm Trace Spacing (TSSOP)
- Simplified Layout for HDMI Connectors
- Backdrive Protection
- These Devices are Pb-Free and are RoHS Compliant

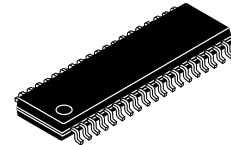
Applications

- PC
- Consumer Electronics
- Set Top Box
- DVDRW Players



ON Semiconductor®

<http://onsemi.com>



TSSOP 38
TR SUFFIX
CASE 948AG

MARKING DIAGRAM

CM2020-00TR

CM2020-00TR = Specific Device Code

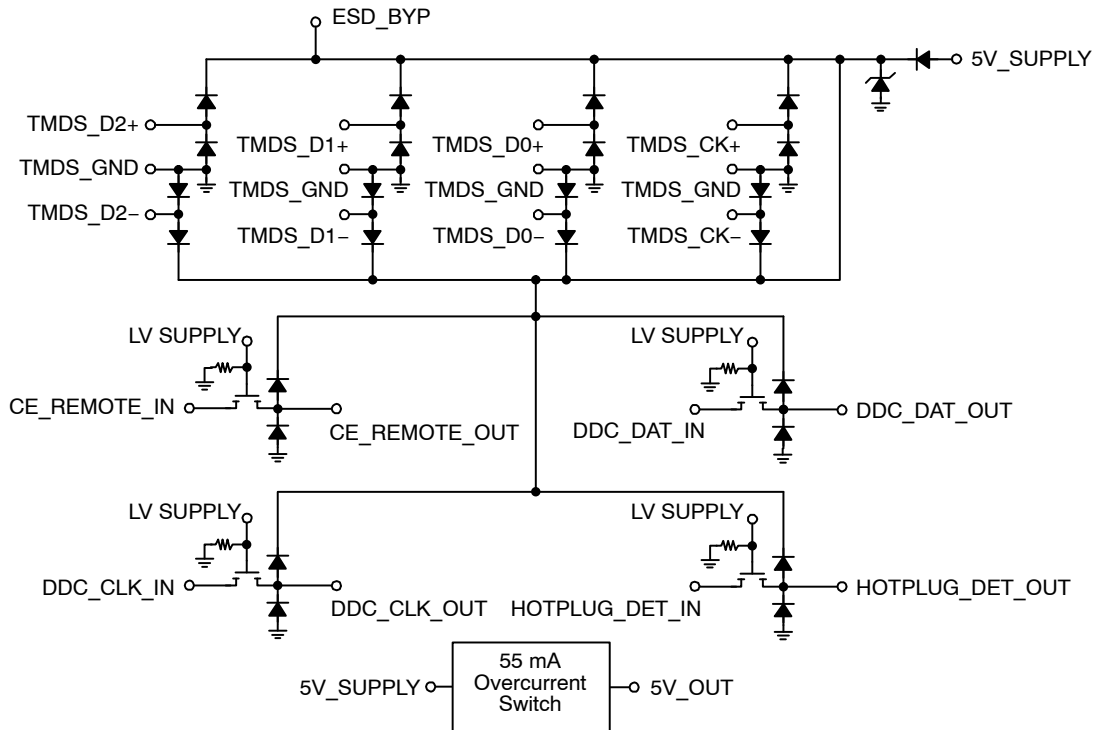
ORDERING INFORMATION

| Device | Package | Shipping† |
|-------------|-----------------------|------------------|
| CM2020-00TR | TSSOP-38 (Pb-Free) | 2500/Tape & Reel |

†For information on tape and reel specifications, including part orientation and tape sizes, please refer to our Tape and Reel Packaging Specification Brochure, BRD8011/D.

CM2020-00TR

ELECTRICAL SCHEMATIC



PACKAGE / PINOUT DIAGRAM

Top View

| | | | |
|----------------|----|----|-----------------|
| 5V_SUPPLY | 1 | 38 | 5V_OUT |
| LV_SUPPLY | 2 | 37 | ESD_BYP |
| GND | 3 | 36 | GND |
| TMDS_D2+ | 4 | 35 | TMDS_D2+ |
| TMDS_GND | 5 | 34 | TMDS_GND |
| TMDS_D2- | 6 | 33 | TMDS_D2- |
| TMDS_D1+ | 7 | 32 | TMDS_D1+ |
| TMDS_GND | 8 | 31 | TMDS_GND |
| TMDS_D1- | 9 | 30 | TMDS_D1- |
| TMDS_D0+ | 10 | 29 | TMDS_D0+ |
| TMDS_GND | 11 | 28 | TMDS_GND |
| TMDS_D0- | 12 | 27 | TMDS_D0- |
| TMDS_CK+ | 13 | 26 | TMDS_CK+ |
| TMDS_GND | 14 | 25 | TMDS_GND |
| TMDS_CK- | 15 | 24 | TMDS_CK- |
| CE_REMOTE_IN | 16 | 23 | CE_REMOTE_OUT |
| DDC_CLK_IN | 17 | 22 | DDC_CLK_OUT |
| DDC_DAT_IN | 18 | 21 | DDC_DAT_OUT |
| HOTPLUG_DET_IN | 19 | 20 | HOTPLUG_DET_OUT |

38-Pin TSSOP Package

CM2020-00TR

Table 1. PIN DESCRIPTIONS

| Pins | Name | ESD Level | Description |
|------------------------------|-----------------|---------------|--------------------------------------------------------------------------------------------------------------------|
| 4, 35 | TMDS_D2+ | 8 kV (Note 3) | TMDS 0.9 pF ESD Protection (Note 1) |
| 6, 33 | TMDS_D2- | 8 kV (Note 3) | TMDS 0.9 pF ESD Protection (Note 1) |
| 7, 32 | TMDS_D1+ | 8 kV (Note 3) | TMDS 0.9 pF ESD Protection (Note 1) |
| 9, 30 | TMDS_D1- | 8 kV (Note 3) | TMDS 0.9 pF ESD Protection (Note 1) |
| 10, 29 | TMDS_D0+ | 8 kV (Note 3) | TMDS 0.9 pF ESD Protection (Note 1) |
| 12, 27 | TMDS_D0- | 8 kV (Note 3) | TMDS 0.9 pF ESD Protection (Note 1) |
| 13, 26 | TMDS_CK+ | 8 kV (Note 3) | TMDS 0.9 pF ESD Protection (Note 1) |
| 15, 24 | TMDS_CK- | 8 kV (Note 3) | TMDS 0.9 pF ESD Protection (Note 1) |
| 16 | CE_REMOTE_IN | 2 kV (Note 4) | LV_SUPPLY Referenced Logic Level into ASIC |
| 23 | CE_REMOTE_OUT | 8 kV (Note 3) | 5V_SUPPLY Referenced Logic Level Out plus 3.5 pF ESD to Connector |
| 17 | DDC_CLK_IN | 2 kV (Note 4) | LV_SUPPLY Referenced Logic Level into ASIC |
| 22 | DDC_CLK_OUT | 8 kV (Note 3) | 5V_SUPPLY Referenced Logic Level Out plus 3.5 pF ESD to Connector |
| 18 | DDC_DAT_IN | 2 kV (Note 4) | LV_SUPPLY Referenced Logic Level into ASIC |
| 21 | DDC_DAT_OUT | 8 kV (Note 3) | 5V_SUPPLY Referenced Logic Level Out plus 3.5 pF ESD to Connector |
| 19 | HOTPLUG_DET_IN | 2 kV (Note 4) | LV_SUPPLY Referenced Logic Level into ASIC |
| 20 | HOTPLUG_DET_OUT | 8 kV (Note 3) | 5V_SUPPLY Referenced Logic Level Out plus 3.5 pF ESD (Note 2) to Connector |
| 2 | LV_SUPPLY | 2 kV (Note 4) | Bias for CE / DDC / HOTPLUG Level Shifters |
| 1 | 5V_SUPPLY | 2 kV (Note 4) | Current Source for 5V_OUT |
| 38 | 5V_OUT | 8 kV (Note 3) | 55 mA Minimum Overcurrent Protected 5 V Output. This Output Must be Bypassed with a 0.1 μ F Ceramic Capacitor. |
| 37 | ESD_BYP | 2 kV (Note 4) | This Pin must be Connected to a 0.1 μ F Ceramic Capacitor |
| 3, 36 | GND | N/A | Supply GND Reference |
| 5, 34, 8, 31, 11, 28, 14, 25 | TMDS_GND | N/A | TMDS ESD and Parasitic GND Return (Note 5) |

1. These 2 pins need to be connected together in-line on the PCB.
2. This output can be connected to an external 0.1 μ F ceramic capacitor, resulting in an increased ESD withstand voltage rating.
3. Standard IEC 61000-4-2, $C_{DISCHARGE} = 150$ pF, $R_{DISCHARGE} = 330$ Ω , 5V_SUPPLY and LV_SUPPLY within recommended operating conditions, GND = 0 V and ESD_BYP (pin 37), 5V_OUT (pin 38), and HOTPLUG_DET_OUT (pin 20) each bypassed with a 0.1 μ F ceramic capacitor connected to GND.
4. Human Body Model per MIL-STD-883, Method 3015, $C_{DISCHARGE} = 100$ pF, $R_{DISCHARGE} = 1.5$ k Ω , 5V_SUPPLY and LV_SUPPLY within recommended operating conditions, GND = 0 V and ESD_BYP (pin 37), 5V_OUT (pin 38), and HOTPLUG_DET_OUT (pin 20) each bypassed with a 0.1 μ F ceramic capacitor connected to GND.
5. These pins should be routed directly to the associated GND pins on the HDMI connector with single point ground vias at the connector.

BACKDRIVE PROTECTION

Below, two scenarios are discussed to illustrate what can happen when a powered device is connected to an unpowered device via a HDMI interface, substantiating the need for backdrive protection on this type of interface.

In the first example a DVD player is connected to a TV via an HDMI interface. If the DVD player is switched off and the TV is left on, there is a possibility of reverse current flow back into the main power supply rail of the DVD player. Typically, the DVD’s power supply has some form of bulk supply capacitance associated with it. Because all CMOS logic exhibits a very high impedance on the power rail node when “off”, if there may be very little parasitic shunt resistance, and even with as little as a few milliamps of “backdrive” current flowing into the power rail, it is possible over time to charge that bulk supply capacitance to some intermediate level. If this level rises above the power-on-reset (POR) voltage level of some of the integrated circuits in the DVD player, these devices may not reset properly when the DVD player is turned back on.

In a more serious scenario, if any SOC devices are incorporated in the design which have built-in level shifter and DRC diodes for ESD protection, there is even a risk for permanent damage. In this case, if there is a pullup resistor (such as with DDC) on the other end of the cable, then that resistance will pull the SOC chips “output” up to a high level. This will forward bias the upper ESD diode in the DRC and charge the bulk capacitance in a similar fashion as described in the first example. If this current flow is high enough, even as little as a few milliamps, it could destroy one of the SOC chip’s internal DRC diodes, as they are not designed for passing DC.

To avoid either of these situations, the CM2020-00TR was designed to block backdrive current, guaranteeing no more than 5 mA on any I/O pin when the I/O pin voltage is greater than the CM2020-00TR supply voltage.

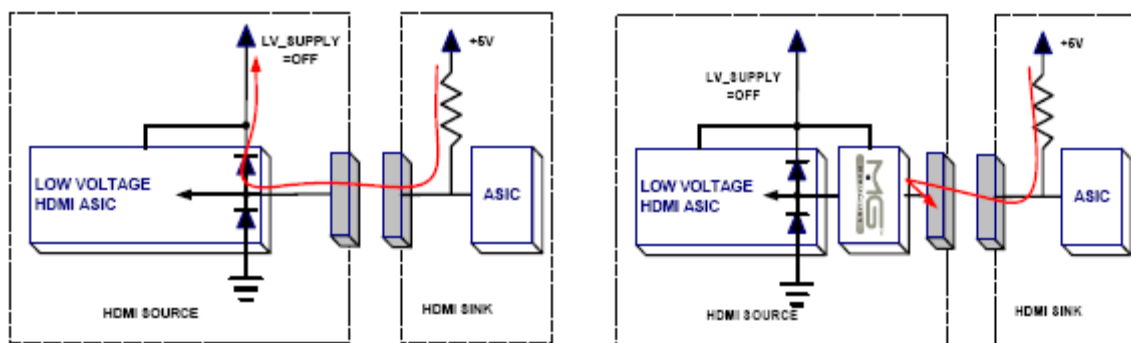


Figure 1. Backdrive Protection Diagram.

SPECIFICATIONS

Table 2. ABSOLUTE MAXIMUM RATINGS

| Parameter | Rating | Units |
|---------------------------------------|-------------|-------|
| V _{CC5V} , V _{CCLV} | 6.0 | V |
| DC Voltage at any Channel Input | 6.0 | V |
| Storage Temperature Range | -65 to +150 | °C |

Stresses exceeding Maximum Ratings may damage the device. Maximum Ratings are stress ratings only. Functional operation above the Recommended Operating Conditions is not implied. Extended exposure to stresses above the Recommended Operating Conditions may affect device reliability.

Table 3. STANDARD (RECOMMENDED) OPERATING CONDITIONS

| Symbol | Parameter | Min | Typ | Max | Units |
|-----------|-----------------------------|-----|-----|-----|-------|
| 5V_SUPPLY | Operating Supply Voltage | GND | 5 | 5.5 | V |
| LV_SUPPLY | Bias Supply Voltage | 1 | 3.3 | 5.5 | V |
| - | Operating Temperature Range | -40 | - | 85 | °C |

CM2020-00TR

SPECIFICATIONS (Cont'd)

Table 4. ELECTRICAL OPERATING CHARACTERISTICS (Note 1)

| Symbol | Parameter | Conditions | Min | Typ | Max | Units |
|-----------------------------|---------------------------------------------------------------------------|---------------------------------------------------------------------------------------------------------------------------------------------------------------|--------------|--------------|--------------|-------|
| I _{CC5V} | Operating Supply Current | 5V_SUPPLY = 5.0 V | | 110 | 130 | μA |
| I _{CCLV} | Bias Supply Current | LV_SUPPLY = 3.3 V | | 1 | 5 | μA |
| V _{DROP} | 5V_OUT Overcurrent Output Drop | 5V_SUPPLY = 5.0 V, I _{OUT} = 55 mA | | 65 | 100 | mV |
| I _{SC} | 5V_OUT Short Circuit Current Limit | 5V_SUPPLY = 5.0 V, 5V_OUT = GND | 90 | 135 | 175 | mA |
| I _{OFF} | OFF State Leakage Current, Level Shifting NFET | LV_SUPPLY = 0 V | | 0.1 | 5.0 | μA |
| I _{BACKDRIVE} | Current Conducted from Output Pins to V_SUPPLY Rails when Powered Down | 5V_SUPPLY < V _{CH_OUT} Signal Pins: TMDS_D[2:0]+/-, TMDS_CK+/-, CE_REMOTE_OUT, DDC_DAT_OUT, DDC_CLK_OUT, HOTPLUG_DET_OUT, 5V_OUT Only | | 0.1 | 5.0 | μA |
| I _{BACKDRIVE, CEC} | Current through CE-REMOTE_OUT when Powered Down | CE-REMOTE_IN = LV_SUPPLY < CE_REMOTE_OUT | | 0.1 | 1.0 | μA |
| V _{ON} | VOLTAGE Drop Across Level Shifting NFET when ON | LV_SUPPLY = 2.5 V, V _S = GND, I _{DS} = 3 mA | 75 | 95 | 140 | mV |
| V _F | Diode Forward Voltage Top Diode Bottom Diode | I _F = 8 mA, T _A = 25°C | 0.60 0.60 | 0.85 0.85 | 0.95 0.95 | V |
| V _{ESD} | ESD Withstand Voltage, Contact Discharge per IEC 61000-4-2 Standard (IEC) | Pins 4, 7, 10, 13, 20, 21, 22, 23, 24, 27, 30, 33, 38; T _A = 25°C (Note 2) | ±8 | | | kV |
| V _{CL} | Channel Clamp Voltage Positive Transients Negative Transients | T _A = 25°C, I _{PP} = 1 A, t _p = 8/20 μS (Note 3) | | 10.8 -2.1 | | V |
| R _{DYN} | Dynamic Resistance Positive Transients Negative Transients | I _{PP} = 1 A, t _p = 8/20 μS, T _A = 25°C (Note 3) | | 1.4 0.9 | | Ω |
| I _{LEAK} | TMDS Channel Leakage Current | T _A = 25°C | | 0.01 | 1 | μA |
| C _{IN, TMDS} | TMDS Channel Input Capacitance | 5V_SUPPLY = 5.0 V, Measured at 1 MHz, V _{BIAS} = 2.5 V | | 0.9 | 1.2 | pF |
| ΔC _{IN, TMDS} | TMDS Channel Input Capacitance Matching | 5V_SUPPLY = 5.0 V, Measured at 1 MHz, V _{BIAS} = 2.5 V (Note 4) | | 0.05 | | pF |
| C _{IN, DDC} | Level Shifting Input Capacitance, Capacitance to GND | 5V_SUPPLY = 5.0 V, Measured at 100 kHz, V _{BIAS} = 2.5 V (Note 2) | | 3.5 | 4 | pF |
| C _{IN, CEC} | Level Shifting Input Capacitance, Capacitance to GND | 5V_SUPPLY = 5.0 V, Measured at 100 kHz, V _{BIAS} = 2.5 V | | 3.5 | 4 | pF |
| C _{IN, HP} | Level Shifting Input Capacitance, Capacitance to GND | 5V_SUPPLY = 5.0 V, Measured at 100 kHz, V _{BIAS} = 2.5 V | | 3.5 | 4 | pF |

1. Operating Characteristics are over Standard Operating Conditions unless otherwise specified.
2. Standard IEC 61000-4-2, C_{DISCHARGE} = 150 pF, R_{DISCHARGE} = 330 Ω, 5V_SUPPLY and LV_SUPPLY within recommended operating conditions, GND = 0 V and ESD_BYP (pin 37), 5V_OUT (pin 38), and HOTPLUG_DET_OUT (pin 20) each bypassed with a 0.1 μF ceramic capacitor connected to GND.
3. These measurements performed with no external capacitor on ESD_BYP.
4. Intra-pair matching, each TMDS pair (i.e. D+, D-).

PERFORMANCE INFORMATION

Typical Filter Performance ($T_A = 25^\circ\text{C}$, DC Bias = 0 V, 50 Ω Environment)

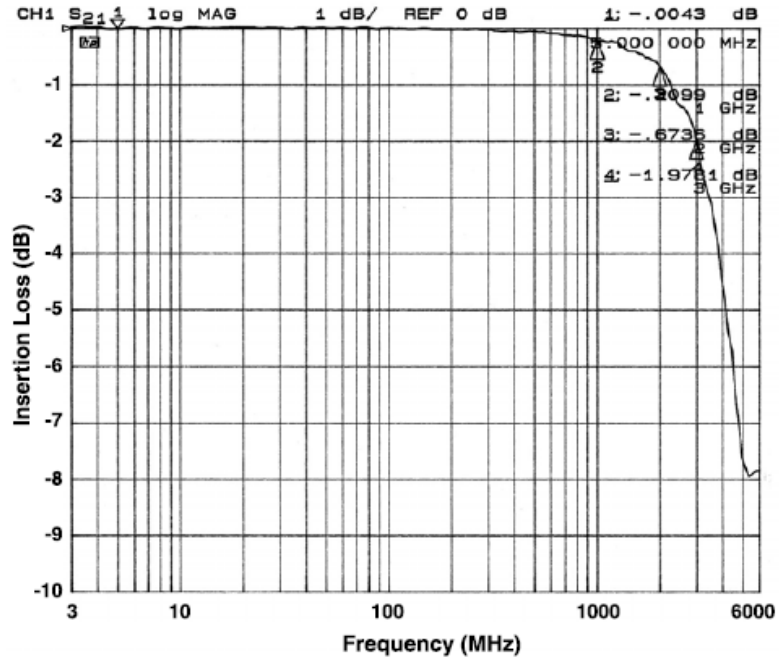
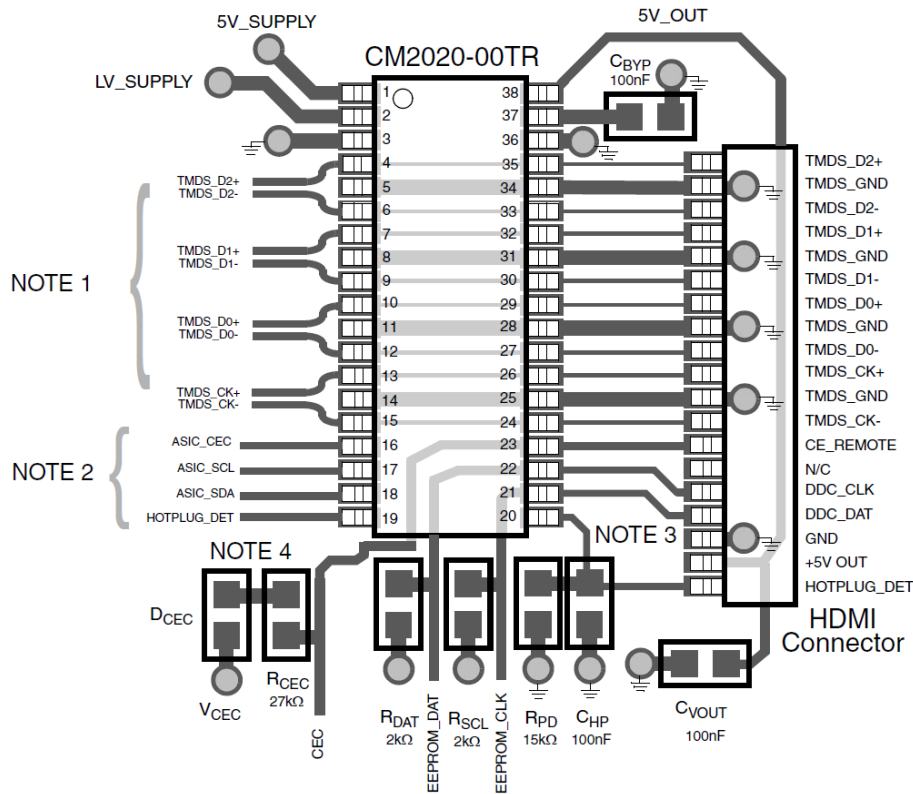


Figure 2. Insertion Loss vs. Frequency (TMDS_D1- to GND)

CM2020-00TR

APPLICATION INFORMATION



LAYOUT NOTES

NOTE 1) Differential TMDS Pairs should be designed as normal 100W HDMI microstrip. Single Ended TMDS traces underneath CM2020 and between CM2020 and Connector should be tuned to match chip/connector parasitics. (See MediaGuard] Application Notes.)

NOTE 2) Level Shifter signals should be biased with a weak pullup to the desired local LV_SUPPLY. If the local ASIC includes sufficient pullups to register a logic high when the CM2020 NFET is "off", then external pullups are not needed

NOTE 3) Place CM2020 as close to connector as possible, and as with any controlled impedance line avoid ANY silkscreening over TMDS lines.

NOTE 4) CEC pullup isolation. The 27k R_{CEC} and a Schottky D_{CEC} provide the necessary isolation for the CEC pullup.

Figure 3. Typical Application for CM2020-00TR

APPLICATION INFORMATION (Cont'd)

Design Considerations

ESD Bypass

Pin 37 (ESD_BYP) is provided for an optional external ESD bypass capacitor only (i.e. 0.1 μ F ceramic). It should not be connected to any supply rail.

5V Overcurrent Output

Maximum Overcurrent Protection output drop at 55 mA on 5V_OUT is 100 mV. To meet HDMI output requirements of 4.8 – 5.3 V, an input of greater than 4.9 V should be used (i.e. 5.1 V \pm 4%). A 0.1 μ F ceramic bypass capacitor on this output is also recommended.

Hotplug Detect Input

To meet the requirements of HDMI CTS TID7-12, the following pullup/pulldown configuration is recommended for a 3.3 V \pm 10% internal VCC rail (See Figure 4 below). A 0.1 μ F ceramic capacitor is recommended for additional edge debounce and ESD bypass.

DUT On vs. DUT Off

Many HDMI CTS tests require a power off condition on the System Under Test. Many Dual Rail Clamp (DRC) ESD diode configurations will be forward biased when their VDD rail is lower than the I/O pin bias, thereby exhibiting extremely high apparent capacitance measurements, for example. The *MediaGuard*[™] backdrive isolation circuitry limits this current to < 5 μ A, and will help ensure compliance.

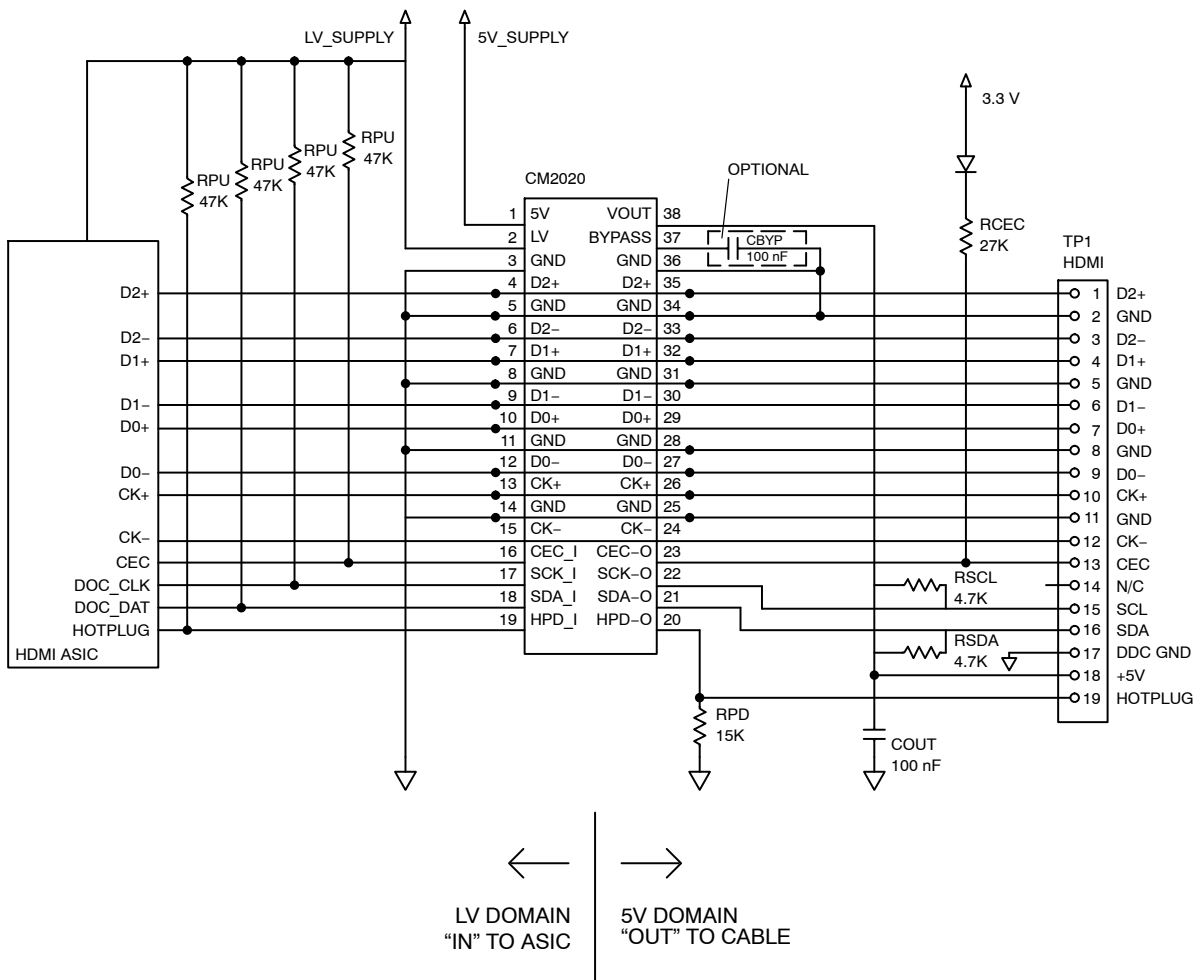
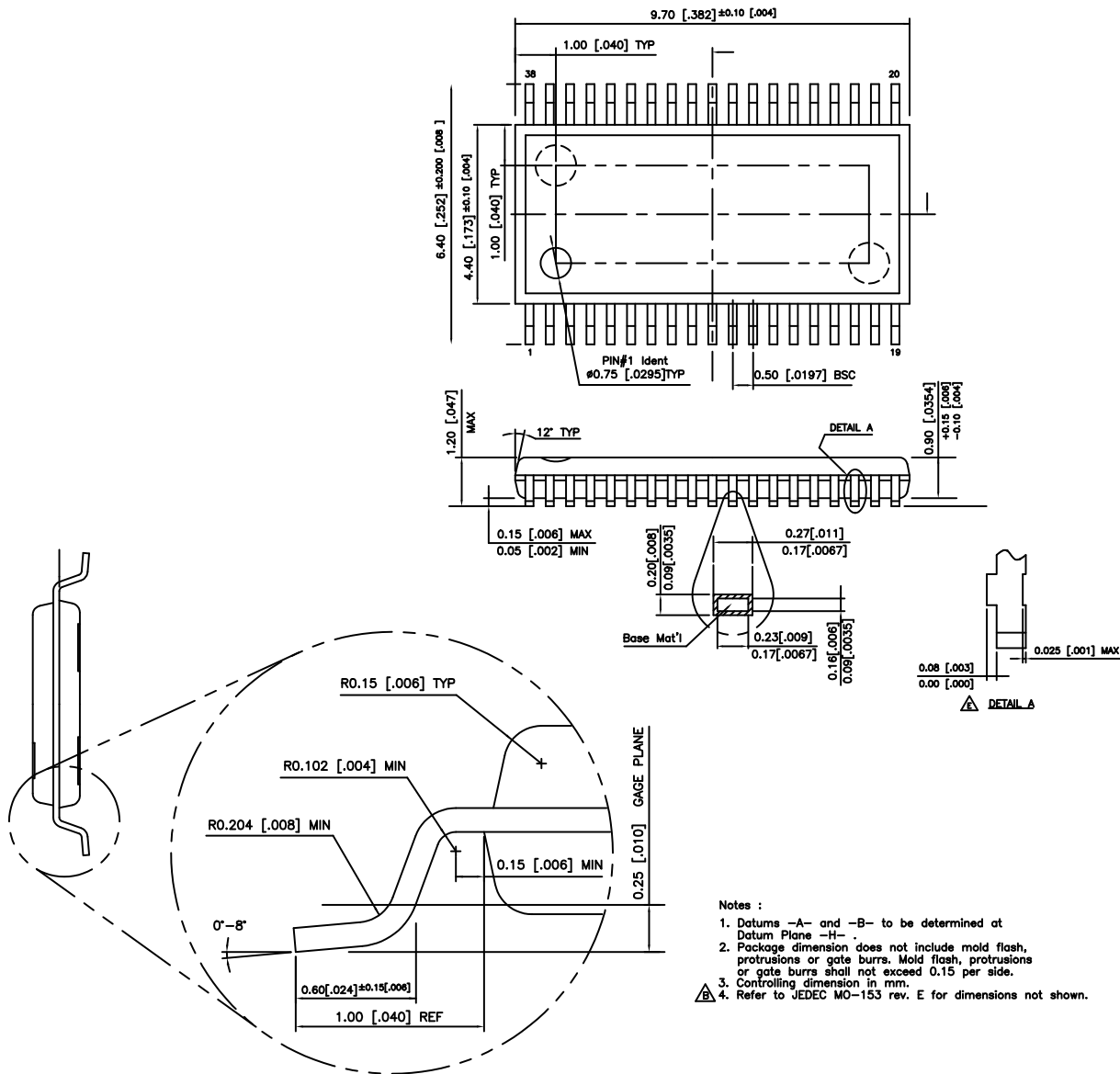


Figure 4. Design Example

CM2020-00TR

PACKAGE DIMENSIONS

TSSOP 38
CASE 948AG-01
ISSUE O



MediaGuard is a trademark of Nagra France.

ON Semiconductor and are registered trademarks of Semiconductor Components Industries, LLC (SCILLC). SCILLC reserves the right to make changes without further notice to any products herein. SCILLC makes no warranty, representation or guarantee regarding the suitability of its products for any particular purpose, nor does SCILLC assume any liability arising out of the application or use of any product or circuit, and specifically disclaims any and all liability, including without limitation special, consequential or incidental damages. "Typical" parameters which may be provided in SCILLC data sheets and/or specifications can and do vary in different applications and actual performance may vary over time. All operating parameters, including "Typicals" must be validated for each customer application by customer's technical experts. SCILLC does not convey any license under its patent rights nor the rights of others. SCILLC products are not designed, intended, or authorized for use as components in systems intended for surgical implant into the body, or other applications intended to support or sustain life, or for any other application in which the failure of the SCILLC product could create a situation where personal injury or death may occur. Should Buyer purchase or use SCILLC products for any such unintended or unauthorized application, Buyer shall indemnify and hold SCILLC and its officers, employees, subsidiaries, affiliates, and distributors harmless against all claims, costs, damages, and expenses, and reasonable attorney fees arising out of, directly or indirectly, any claim of personal injury or death associated with such unintended or unauthorized use, even if such claim alleges that SCILLC was negligent regarding the design or manufacture of the part. SCILLC is an Equal Opportunity/Affirmative Action Employer. This literature is subject to all applicable copyright laws and is not for resale in any manner.

PUBLICATION ORDERING INFORMATION

LITERATURE FULFILLMENT:
Literature Distribution Center for ON Semiconductor
P.O. Box 5163, Denver, Colorado 80217 USA
Phone: 303-675-2175 or 800-344-3860 Toll Free USA/Canada
Fax: 303-675-2176 or 800-344-3867 Toll Free USA/Canada
Email: orderlit@onsemi.com

N. American Technical Support: 800-282-9855 Toll Free
USA/Canada
Europe, Middle East and Africa Technical Support:
Phone: 421 33 790 2910
Japan Customer Focus Center
Phone: 81-3-5773-3850

ON Semiconductor Website: www.onsemi.com
Order Literature: <http://www.onsemi.com/orderlit>
For additional information, please contact your local Sales Representative