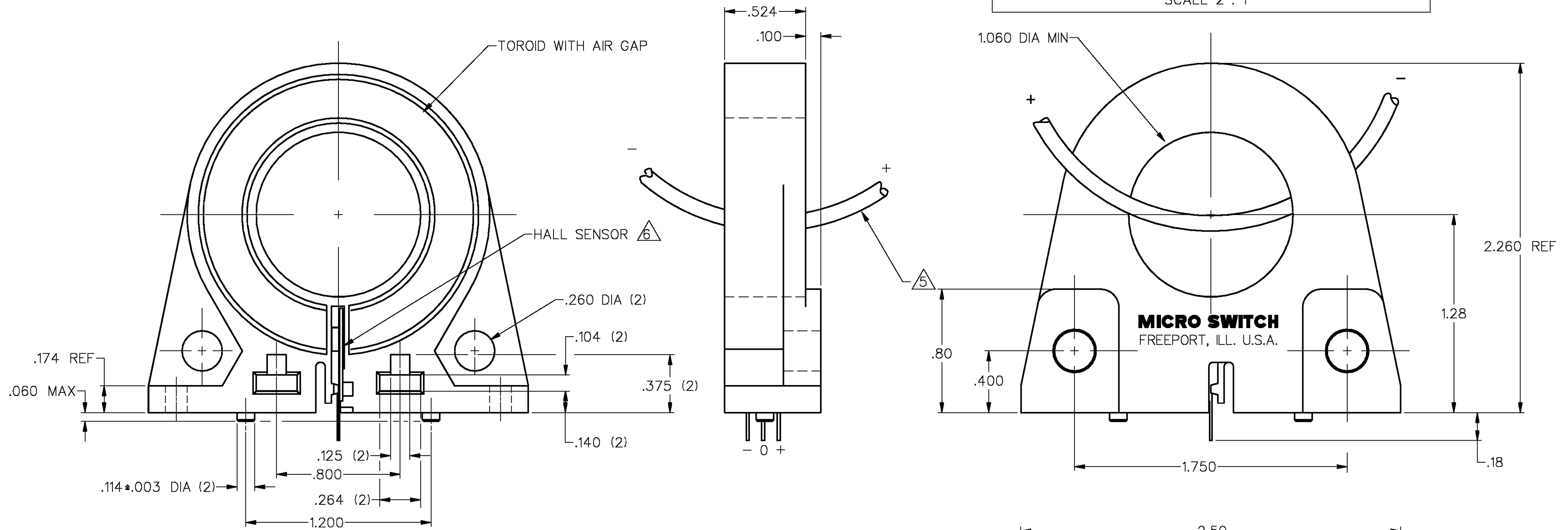
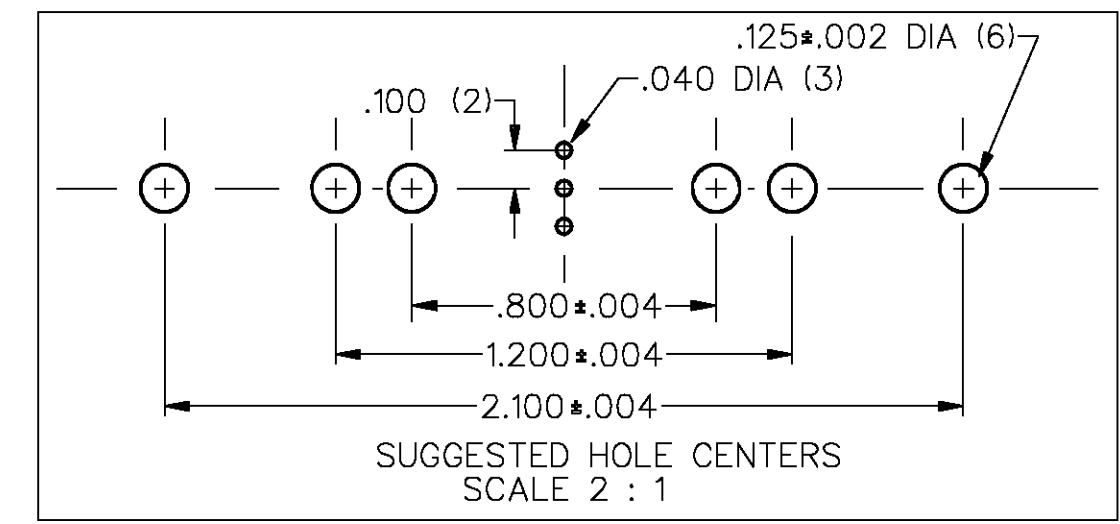


CHARACTERISTICS

PARAMETER	MIN	TYP	MAX	UNITS	CONDITIONS/REMARKS
SUPPLY VOLTAGE	5.4	8.0	13.2	VOLTS	-25°C TO 85°C
SUPPLY CURRENT		13	20	mA	MAX @ -25°C, TYP @ 25°C, V _s = 8.0V, EXCLUDES LOAD
OUTPUT CURRENT	1			mA	SINKING OR SOURCING
OUTPUT VOLTAGE SWING	(-V)+1.25		(+V)-1.25	VOLTS	MAX CLAMPED @ 9.0 VOLTS MIN
SENSITIVITY	2.8		3.3	mV/NI	@ V _s = 8.0 V & 25°C / 5
LINEARITY		.5	1.0	% OF SPAN	DEV FROM STR LINE FROM -I TO +I MAX / 1
V _{out} @ 0 NI	.5(V _s)-2%		.5(V _s)+2%	VOLTS	25°C
TEMP ERROR - NULL	-.008		+.008	%/°C	-25°C TO 85°C
TEMP ERROR - GAIN	-.06		+.01	%/°C	-25°C TO 85°C



- NOTES
- 1 - SUGGESTED I MAX FOR LINEAR OPERATION IS 750 AMPS
 - 2 - RECOMMENDED MOUNTING IS 4-40 SQUARE NUT AND .375 LONG 4-40 SCREW
 - 3 - CONVENTIONAL CURRENT FLOW IN DIRECTION INDICATED WILL CAUSE AN INCREASE IN OUTPUT VOLTAGE
 - 4 - THE DEVICE CANNOT BE DAMAGED BY MAGNETIC OVERDRIVE
 - 5 - AT V_s OTHER THAN 8.0 VOLTS, SENSITIVITY = (NUMBER SHOWN) X V_s/8
 - 6 - BACKSIDE OF HALL SENSOR IS ELECTRICALLY CONNECTED TO THE "-" TERMINAL

DRAWING NUMBER: CSLA2EM
 PAGE 1 OF 1
 ISSUE: 4
 REVISIONS:
 A 65780 J A S 18 JUL 89
 B 79248B K R 15 AUG 95
 C 95704 DLM 21 MAR 00
 FORMTEK DRAWN: J A S 18 JUL 89 CHECK: K A G 24 JUL 89
 RELEASE NO. DR-3141-8 REPLACES:



THIS DRAWING COVERS A PROPRIETARY ITEM AND IS THE PROPERTY OF MICRO SWITCH, A DIVISION OF HONEYWELL. THIS DRAWING IS NOT TO BE COPIED OR USED WITHOUT THE APPROVAL OF MICRO SWITCH.

MICRO SWITCH
a Honeywell Division

750 AMP
CURRENT SENSOR

CATALOG LISTING
CSLA2EM

FED. MFG. CODE 91929

THIRD ANGLE PROJECTION

SCALE 2 : 1

DO NOT SCALE PRINT

UNLESS OTHERWISE SPECIFIED TOLERANCES ARE

ONE PLACE	(.0)	±.030
TWO PLACES	(.00)	±.015
THREE PLACES	(.000)	±.005
ANGLES		±

WEIGHT