

## I<sup>2</sup>C BUS Sound Processor for TV

### Description

The CXA2021S is a bipolar IC developed as an I<sup>2</sup>C BUS control sound processor for TV. This IC implements surround, tone control, balance, volume, mute and AGC functions.

### Features

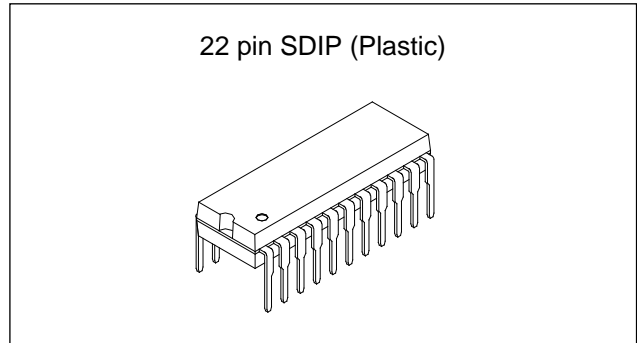
- I<sup>2</sup>C BUS control
- The AGC circuit is adopted to absorb volume differences between input sources and improve the S/N ratio in hearing.

### Absolute Maximum Ratings

- |                               |                  |             |    |
|-------------------------------|------------------|-------------|----|
| • Supply voltage              | V <sub>CC</sub>  | 14          | V  |
| • Operating temperature       | T <sub>opr</sub> | -20 to +75  | °C |
| • Storage temperature         | T <sub>stg</sub> | -65 to +150 | °C |
| • Allowable power dissipation | P <sub>D</sub>   | 0.9         | W  |

### Recommended Operating Condition

Supply voltage	8 to 13	V
----------------	---------	---



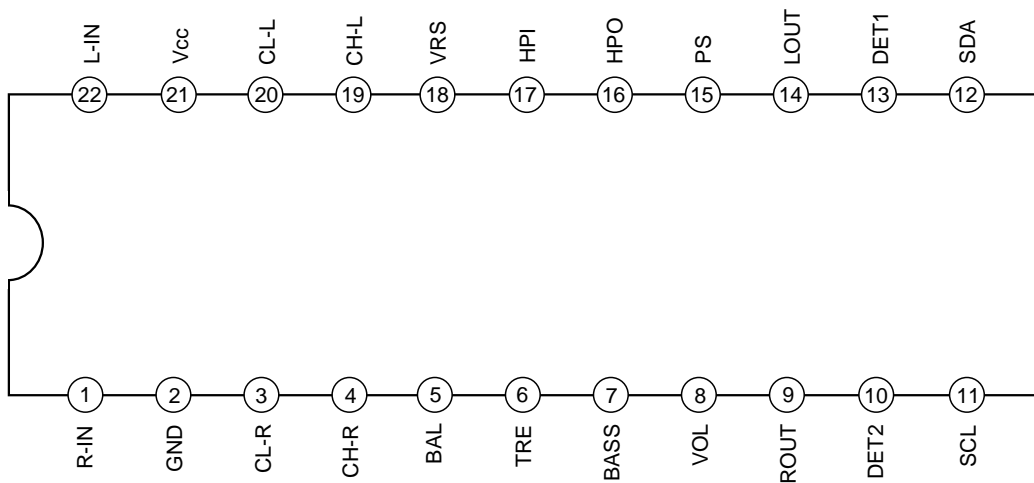
### Structure

Bipolar silicon monolithic IC

### Applications

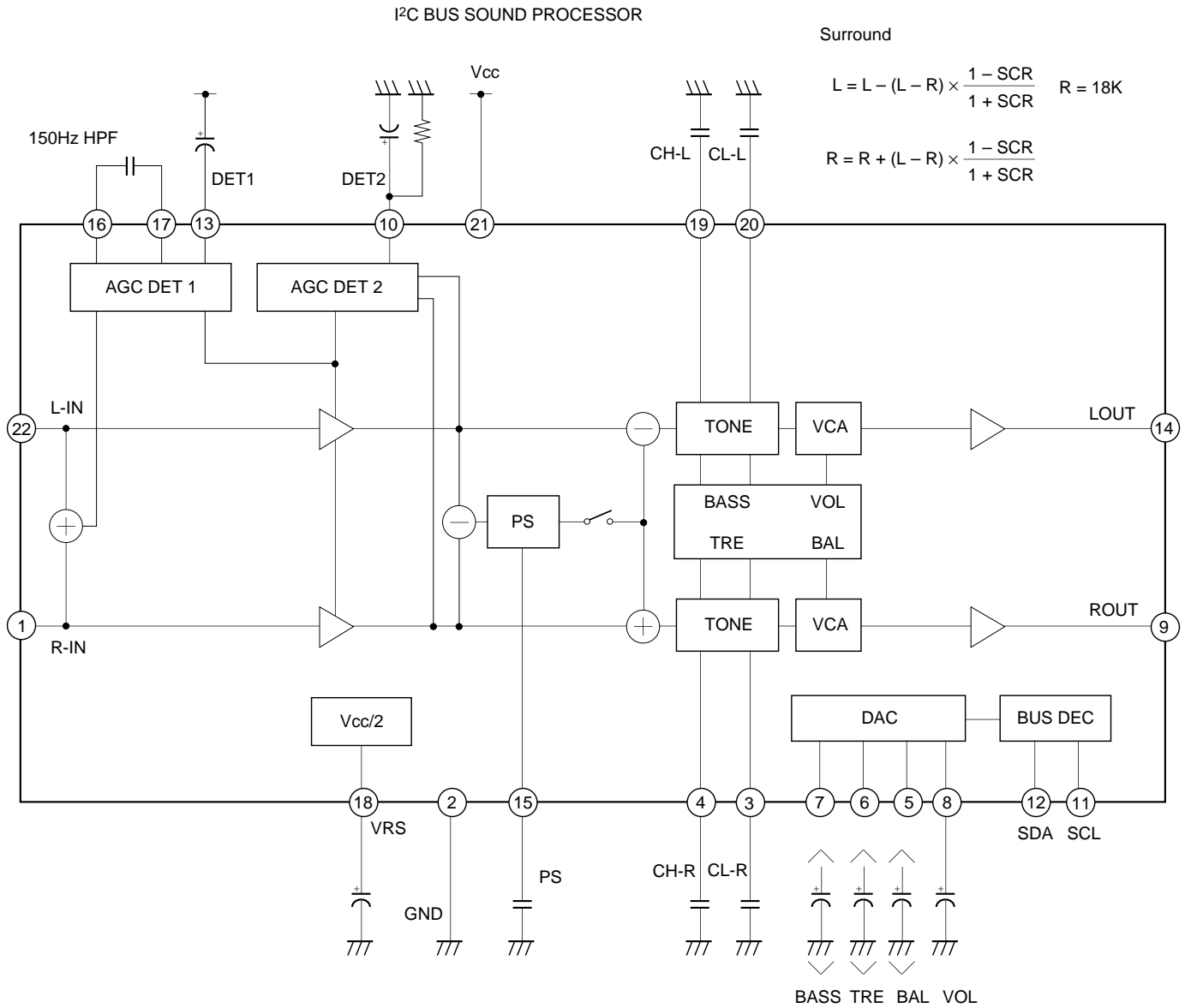
TVs

### Pin Configuration



Sony reserves the right to change products and specifications without prior notice. This information does not convey any license by any implication or otherwise under any patents or other right. Application circuits shown, if any, are typical examples illustrating the operation of the devices. Sony cannot assume responsibility for any problems arising out of the use of these circuits.

Block Diagram



Pin Description

(Ta = 25°C, Vcc = 12V)

Pin No.	Symbol	Voltage	Equivalent circuit	Description
1 22	R-IN L-IN	6V		Input pins.
2	GND	0V		GND pin.
3 20	CL-R CL-L	6V		Pins for connecting external LPF capacitance (BASS).
4 19	CH-R CH-L	6V		Pins for connecting external HPF capacitance (TREBLE).
5 6 7 8	BAL TRE BASS VOL	4.5V		DAC output pins. Connect LPF capacitance of DAC. Internal impedance is approximately 20kΩ.

Pin No.	Symbol	Voltage	Equivalent circuit	Description
9 14	ROUT LOUT	6V		Output pins.
10	DET2			AGC detector output and control pin.
11	SCL			I <sup>2</sup> C bus clock line.
12	SDA			I <sup>2</sup> C bus data line.

Pin No.	Symbol	Voltage	Equivalent circuit	Description
13	DET1	7.8V		AGC detector output. Connect capacitance for setting time constant.
15	PS	6V		Pin for connecting external capacitance of the surround phase shifter. Internal impedance is approximately 18kΩ.
16	HPO	6V		AGC HPF output pin.
17	HPI	6V		AGC HPF input pin.

Pin No.	Symbol	Voltage	Equivalent circuit	Description
18	VRS	6V		$\frac{V_{CC}}{2}$ reference voltage pin.
21	Vcc	12V		Power supply pin.

**Control Register Table** SLAVE ADDRESS = 82H

DATA							
bit 7	bit 6	bit 5	bit 4	bit 3	bit 2	bit 1	bit 0
VOLUME (00)						MUTE (0)	AGC (0)
BASS (00)					*	MODE (0)	*
TREBLE (00)					*		
BALANCE (00)						*	

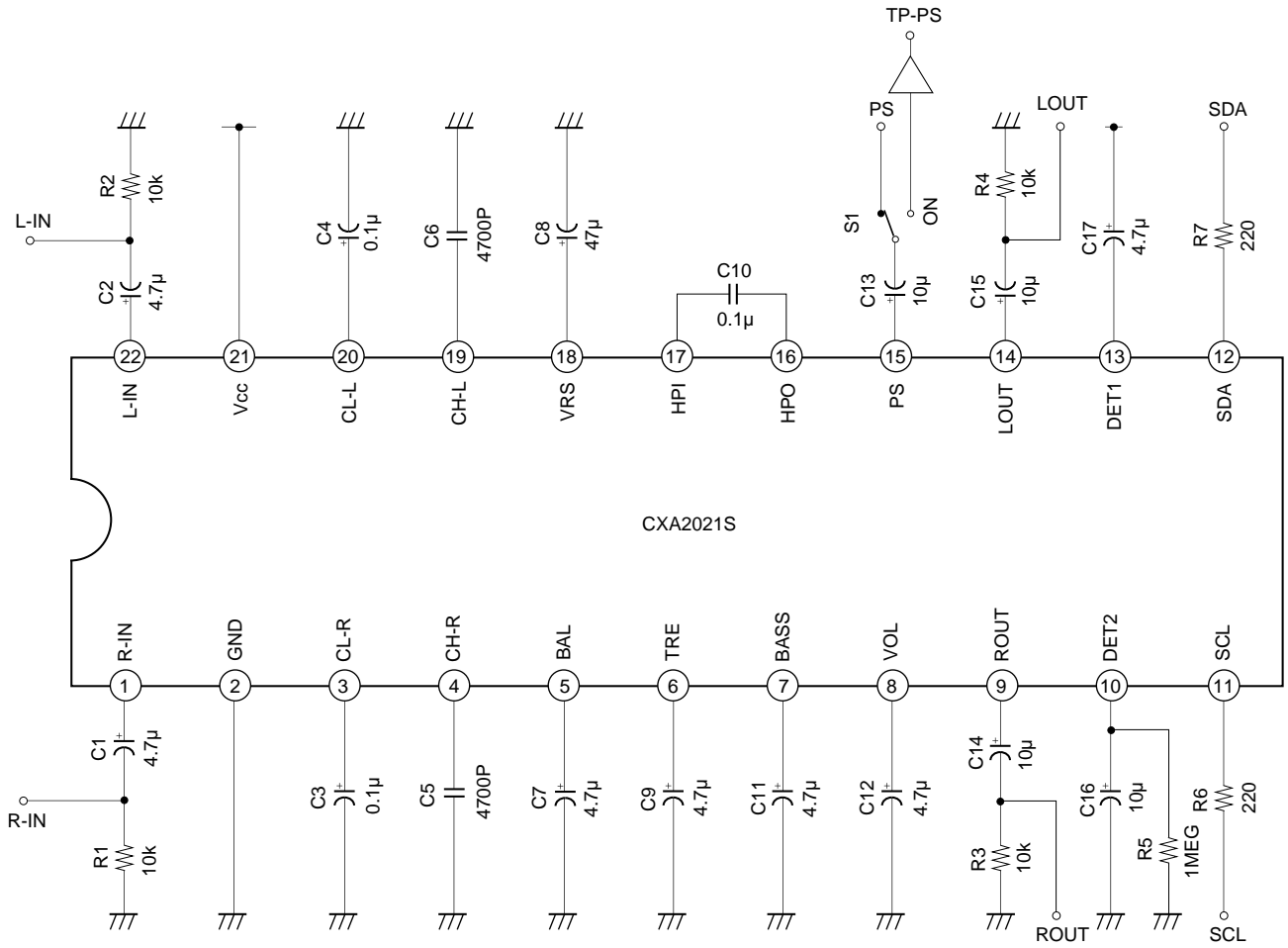
(Power-ON setting value)

AGC: 0 = OFF , 1 = ON  
MUTE: 0 = OFF , 1 = ON

**<Description of registers>**

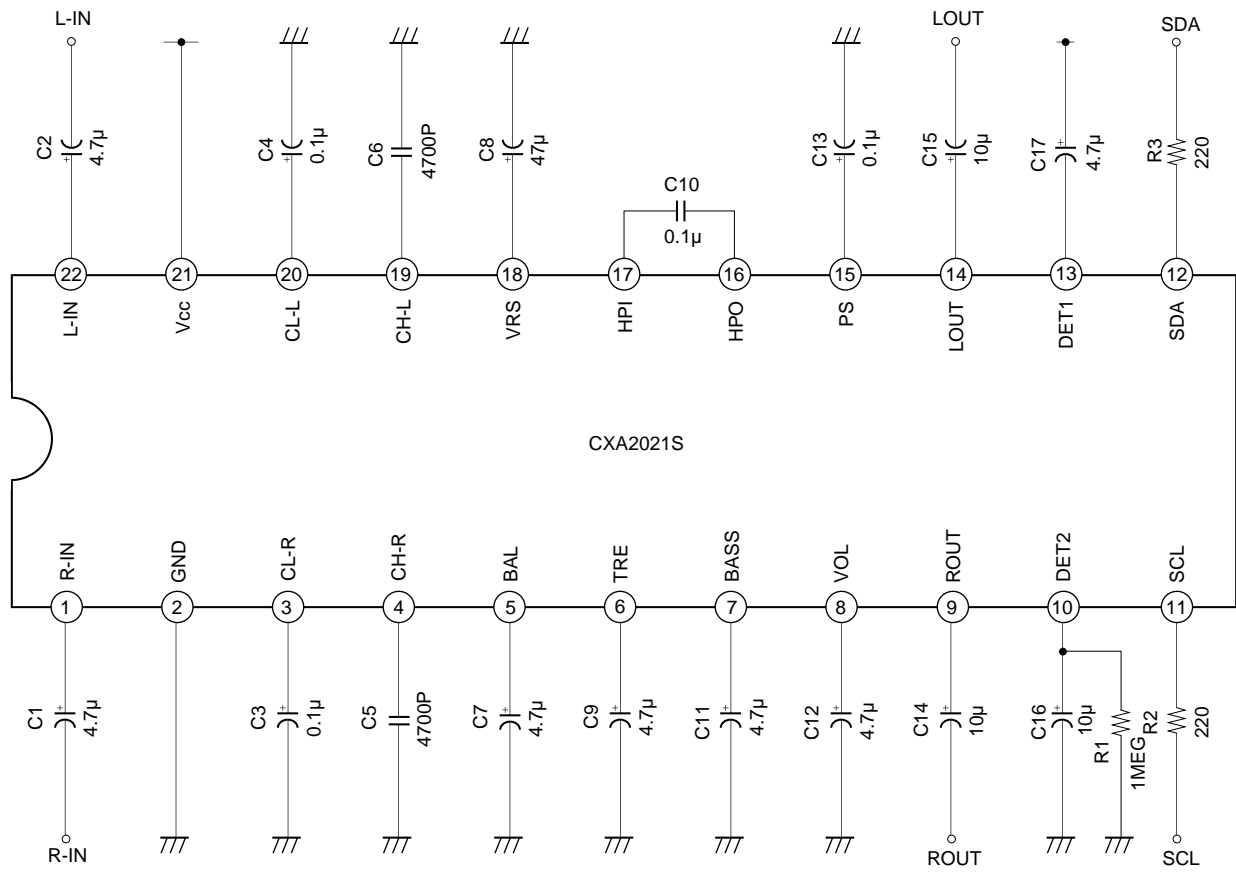
- VOLUME: Volume control for both L channel and R channel  
00 = minimum value  
3F = maximum value
- MUTE: MUTE switch  
0 = Mute OFF  
1 = Mute ON (Mute state)
- AGC switch  
0 = AGC OFF  
1 = AGC ON
- BASS: Low-frequency control  
00 = Minimum value  
10 = Typical value  
1F = Maximum value
- MODE: Surround switch  
0 = Surround OFF  
1 = Surround ON
- TREBLE: High-frequency control  
00 = Minimum value  
10 = Typical value  
1F = Maximum value
- BALANCE: Balance control for L channel and R channel  
00 = L channel minimum, R channel maximum  
20 = Typical  
3F = L channel maximum, R channel minimum

Electrical Characteristics Measurement Circuit





Application Circuit



Application circuits shown are typical examples illustrating the operation of the devices. Sony cannot assume responsibility for any problems arising out of the use of these circuits or for any infringement of third party patent and other right due to same.

(Ta = 25°C, Vcc = 12V)

Electrical Characteristics

No.	Measurement item	Symbol	Input conditions								Input point	Input signal	SW set to ON	Measure-ment point	Remarks	Min.	Typ.	Max.	Unit
			VOL	MUTE	AGC	BASS	MODE	TRE	BAL										
1	Current consumption	Icc	3F	0	0	10	0	0	10	20						16	31	50	mA
2	FLAT L, R	VFL,R	→								L-IN R-IN	1kHz 2.4Vrms		LOUT ROUT	REF: INPUT	-2.0	0	2.0	dB
3	REF. Level L, R	VR,L,R	20													-17	-14	-11	dB
4	VOL MIN L, R	VMIN,L,R	0													—	—	-70	dB
5	FLAT frequency response 100Hz	VLF,L,R	20									100Hz 2.4Vrms			REF: VR,L,R	-1.5	0	1.5	dB
6	FLAT frequency response 10kHz	VHF,L,R				→			→			10kHz 2.4Vrms				-1.5	0	1.5	dB
7	BASS BOOST 100Hz	VBSTLF				1F			1F			100Hz 2.4Vrms				8.5	11	13.5	dB
8	TREBLE BOOST 10kHz	VBSTHF				→			→			10kHz 2.4Vrms				8.5	11	13.5	dB
9	BASS CUT 100Hz	VCUTLF				0			0			100Hz 2.4Vrms				-13.5	-11	-8.5	dB
10	TREBLE CUT 10kHz	VCUTHF				→			→			10kHz 2.4Vrms		→		-13.5	-11	-8.5	dB
11	BALANCE BOOST L	VBALBSTL				10			10	3F		1kHz 2.4Vrms		LOUT		0	1.2	2.0	dB
12	BALANCE CUT L	VBALCUTL								0				→		—	—	-30	dB
13	BALANCE BOOST R	VBALBSTR								→				ROUT		0	1.2	2.0	dB
14	BALANCE CUT R	VBALCUTR	→			→			→	3F				→		—	—	-30	dB

No.	Measurement item	Symbol	Input conditions							Input point	Input signal	SW set to ON	Measure -ment point	Remarks	Min.	Typ.	Max.	Unit
			VOL	MUTE	AGC	BASS	MODE	TRE	BAL									
15	Distortion L, R	Vdist	3F	0	0	10	0	10	20	L-IN R-IN	1kHz 2.4Vrms		LOUT ROUT		—	—	2.0	%
16	Mute L, R	VMT L, R		1										REF: INPUT	—	—	-70	dB
17	Cross-Talk L → R	VCT L, R		0						L-IN			ROUT	REF: VFR	—	—	-70	dB
18	Cross-Talk R → L	VCTR, L								R-IN			LOUT	REF: VFL	—	—	-70	dB
19	NOISE LEVEL L, R	VNOI L, R											LOUT ROUT	30kHz LPF	—	—	-60	dBm
20	AGC BOOST L, R	Vgcb L, R			0 ↓ ↓ 1					L-IN R-IN	1kHz 10mVrms			REF: AGC-OFF (0)	0	2.5	5	dB
21	AGC BOOST2 L, R	Vgcb2 L, R			0 ↓ ↓ 1						1kHz 50mVrms			REF: AGC-OFF (0)	5	7	10	dB
22	AGC NULL L, R	Vgcn L, R			0 ↓ ↓ 1						1kHz 160mVrms			REF: AGC-OFF (0)	-2.5	-0.5	2	dB
23	AGC CUT L, R	Vgcc L, R			0 ↓ ↓ 1						1kHz 2Vrms			REF: AGC-OFF (0)	-24	-20	-16	dB
24	SS DIF GAIN L	Sdg L			0			1		L-IN	1kHz 2.5Vrms	S1	TP-PS		-2	0	2	dB
25	SS DIF GAIN R	Sdg R								R-IN					-2	0	2	dB
26	SS MIX LEVEL L	Smx L								PS	1kHz 1.25Vrms		LOUT		3	6	9	dB
27	SS MIX LEVEL R	Smx R											ROUT		3	6	9	dB
28	DC OFF-Set 1	DO1				10 ↓ 0		0					LOUT ROUT		-1	0	1	V

No.	Measurement item	Symbol	Input conditions							Input point	Input signal	SW set to ON	Measure-ment point	Remarks	Min.	Typ.	Max.	Unit
			VOL	MUTE	AGC	BASS	MODE	TRE	BAL									
29	DC OFF-Set 2	DO2	3F	0	0	10 ↓ 1F	0	10	20			LOUT ROUT		-1	0	1	V	
30	DC OFF-Set 3	DO3				10		10 ↓ 0						-1	0	1	V	
31	DC OFF-Set 4	DO4						10 ↓ 1F						-1	0	1	V	
32	DC OFF-Set OFF → SS	DOSS L, R					0 ↓ 1	10						-150	0	150	mV	
33	VOL MIN NOISE L, R	VMINNO L, R	0				0							—	-92	-85	dBm	

**<Description of Operations>****• AGC circuit**

The AGC circuit is incorporated in the input block. When AGC is turned ON, gain is 0dB for small signal input, boosted for medium signal input and reduced for large signal input. The AGC circuit can absorb volume differences between input sources.

**• Surround circuit**

L-R signals passing through the phase shifter are added to L channel and R channel each in the opposite phase. The transfer function of the phase shifter is obtained by the following equation:

$$V_o = \frac{1 - SCR}{1 + SCR} V_{in}$$

where R is internal resistance  $\approx 18k\Omega$  and C is external capacitance.

**• TONE circuit**

BASS and TREBLE tone control. BASS control characteristic can be determined by external capacitance connected to  $C_L$ , and TREBLE control characteristic by external capacitance connected to  $C_H$ . Tone control can be performed in 32 steps.

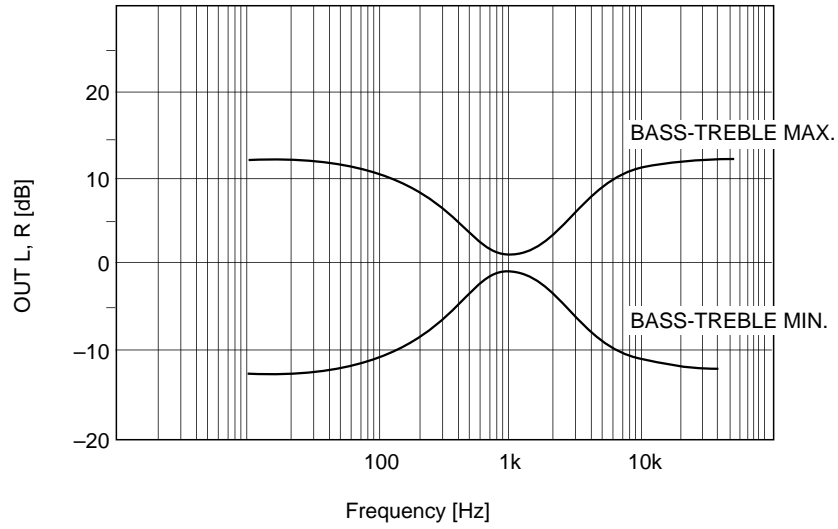
**• BALANCE and VOLUME circuits**

Controls BALANCE and VOLUME in 64 steps each.

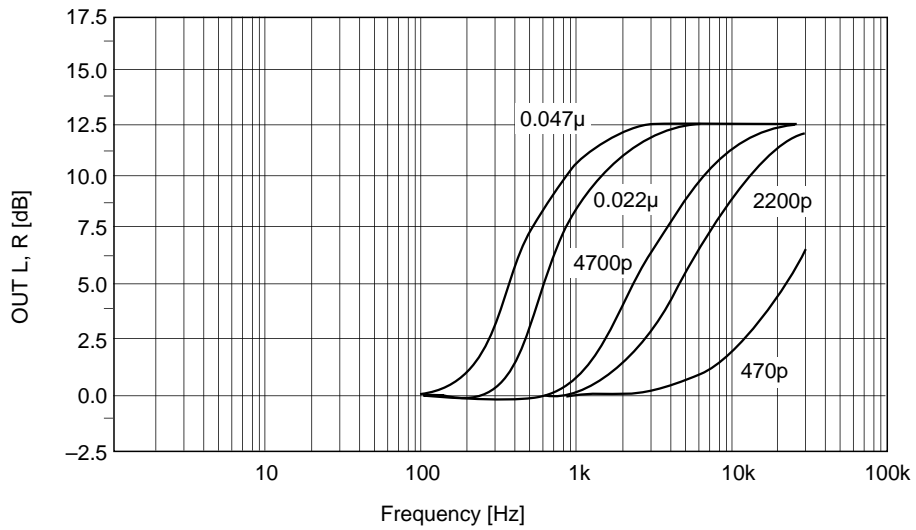
**• DAC**

DAC circuit for controlling BASS, TREBLE, VOLUME and BALANCE. Internal impedance is approximately  $20k\Omega$ . Connect external capacitance for LPF.

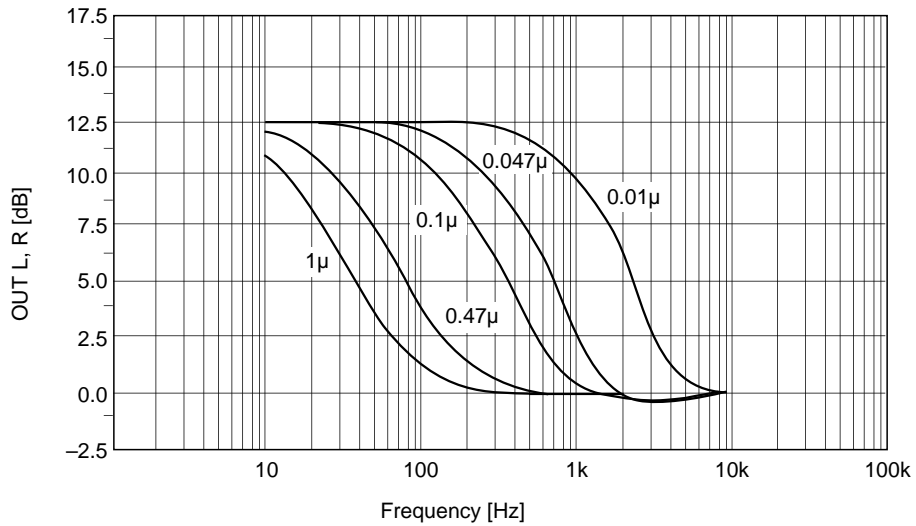
TONE characteristic



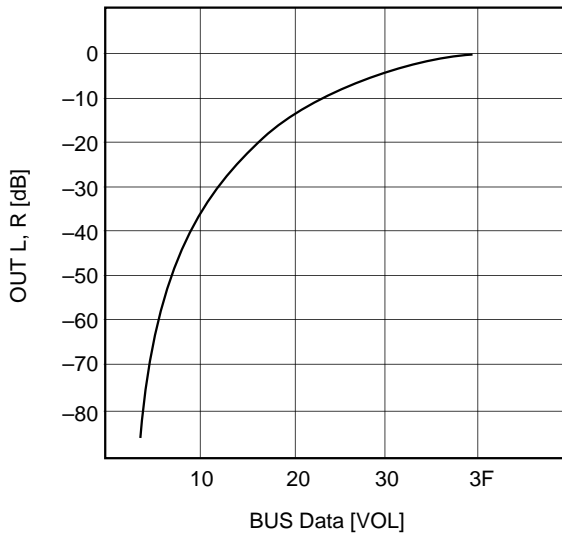
CH. vs. TREBLE-CONTROL (MAX)



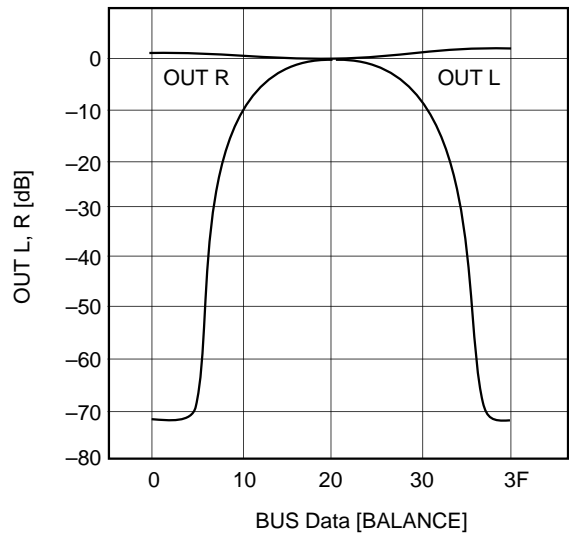
CL. vs. BASS-CONTROL (MAX)



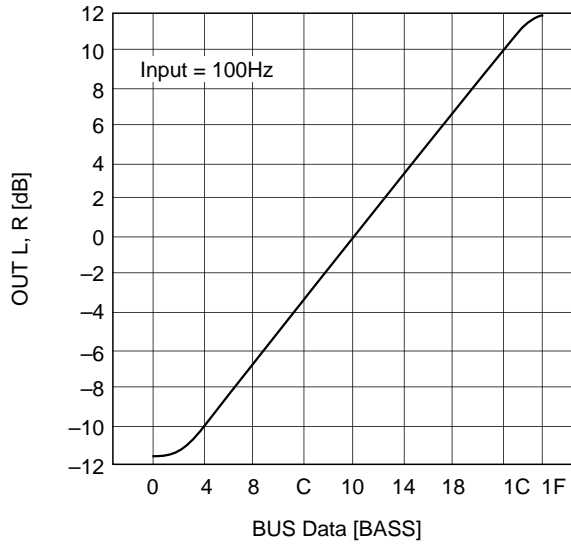
**VOL CONTROL characteristic**



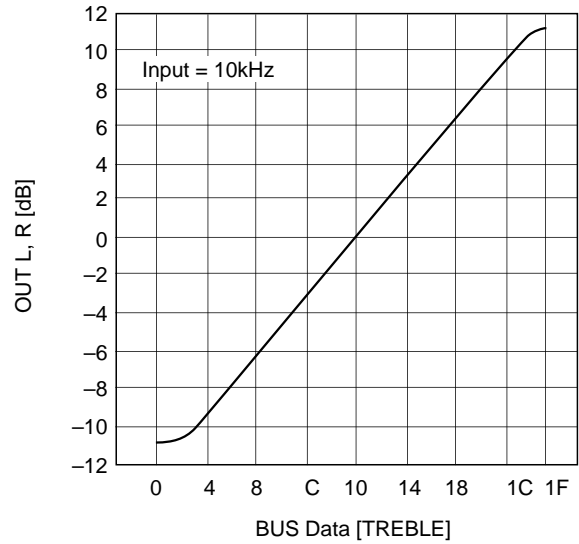
**BALANCE CONTROL characteristic**



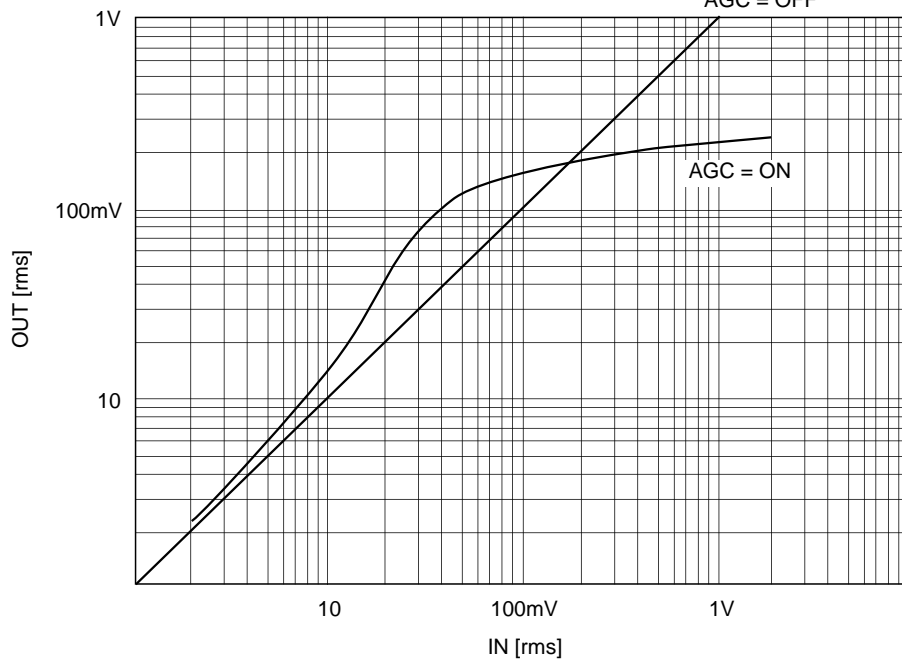
**BASS CONTROL characteristic**



**TREBLE CONTROL characteristic**



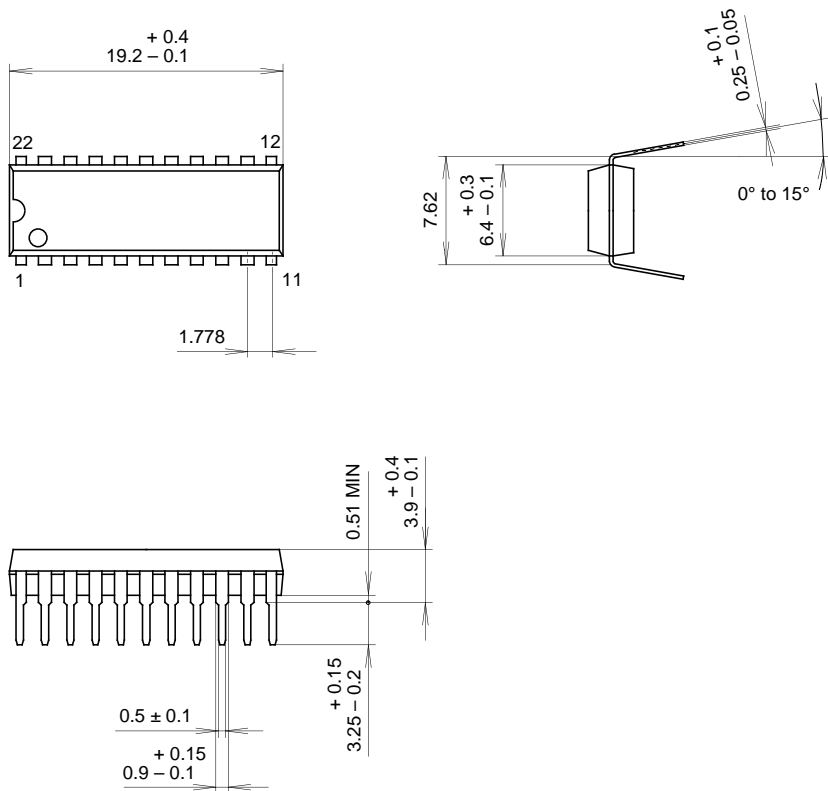
**AGC characteristic**



Package Outline

Unit: mm

22PIN SDIP (PLASTIC)



PACKAGE STRUCTURE

SONY CODE	SDIP-22P-01
EIAJ CODE	SDIP022-P-0300
JEDEC CODE	_____

MOLDING COMPOUND	EPOXY RESIN
LEAD TREATMENT	SOLDER PLATING
LEAD MATERIAL	COPPER ALLOY
PACKAGE WEIGHT	0.95g