



DCV01 Series

For most current data sheet and other product information, visit www.burr-brown.com

Miniature, 1W, 1500Vrms Isolated UNREGULATED DC/DC CONVERTERS

FEATURES

- UP TO 85% EFFICIENCY
- THERMAL PROTECTION
- DEVICE-TO-DEVICE SYNCHRONIZATION
- SHORT-CIRCUIT PROTECTION
- EN55022 CLASS B EMC PERFORMANCE
- UL1950 RECOGNIZED COMPONENT
- JEDEC PDIP-14 AND GULL-WING PACKAGES

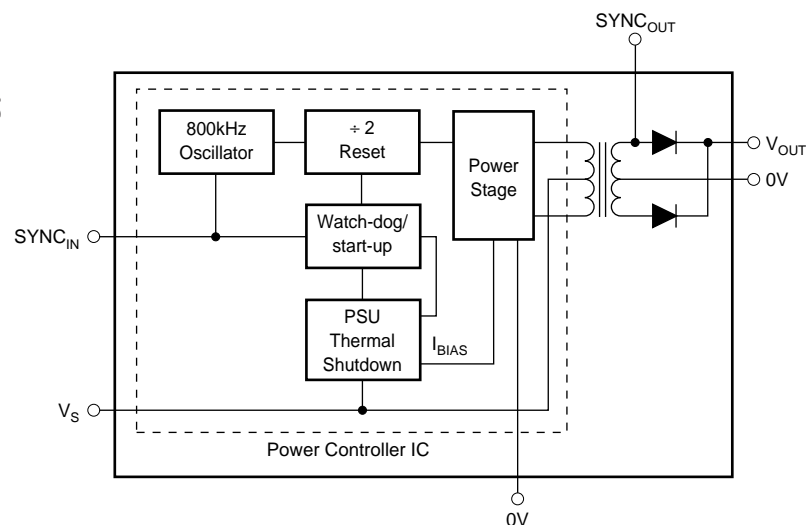
APPLICATIONS

- INDUSTRIAL CONTROL AND INSTRUMENTATION
- POINT-OF-USE POWER CONVERSION
- GROUND LOOP ELIMINATION
- DATA ACQUISITION
- TEST EQUIPMENT
- SECONDARY ISOLATION CIRCUITS

DESCRIPTION

The DCV01 series is a family of 1W, 1500Vrms isolated, unregulated DC/DC converters. Requiring a minimum of external components and including on-chip device protection, the DCV01 series provides extra features such as output disable and synchronization of switching frequencies.

The use of a highly integrated package design results in highly reliable products with a power density of 40W/in³ (2.4W/cm³). This combination of features, high isolation, and small size makes the DCV01 suitable for a wide range of applications.



International Airport Industrial Park • Mailing Address: PO Box 11400, Tucson, AZ 85734 • Street Address: 6730 S. Tucson Blvd., Tucson, AZ 85706 • Tel: (520) 746-1111
Twx: 910-952-1111 • Internet: <http://www.burr-brown.com/> • Cable: BBRCORP • Telex: 066-6491 • FAX: (520) 889-1510 • Immediate Product Info: (800) 548-6132

SPECIFICATIONS

At $T_A = +25^\circ\text{C}$, unless otherwise specified.

PARAMETER	CONDITIONS	DCV01 SERIES			UNITS
		MIN	TYP	MAX	
OUTPUT Power Ripple Voltage vs Temp	100% Full Load O/P Capacitor = $1\mu\text{F}$, 50% Load Room to Cold Room to Hot		0.97 20 0.046 0.016		W mVp-p %/°C %/°C
INPUT Voltage Range on V_S		-10		10	%
ISOLATION Voltage	1s Flash Test 60s Test, UL1950 ⁽¹⁾	1.5 1.5			kVrms kVrms
LINE Regulation			1		%/1% of V_S
SWITCHING/SYNCHRONIZATION Oscillator Frequency (f_{OSC}) Sync Input Low Sync Input Current Disable Time Capacitance Loading on SYNC_{IN} Pin	Switching Frequency = $f_{\text{OSC}}/2$ $V_{\text{SYNC}} = +2\text{V}$ External	0	800 75 2	0.4 3	kHz V μA μs pF
RELIABILITY Demonstrated	$T_A = +55^\circ\text{C}$			75	FITS
THERMAL SHUTDOWN IC Temperature at Shutdown Shutdown Current			150 3		°C mA
TEMPERATURE RANGE Operating		-40		+85	°C

PRODUCT	INPUT VOLTAGE (V)			OUTPUT VOLTAGE (V)			LOAD REGULATION (%)		NO LOAD CURRENT (mA)	EFFICIENCY (%)	BARRIER CAPACITANCE (pF)	LEAKAGE CURRENT (μA)
	V_S			V_{NOM}			10% TO 100% LOAD ⁽³⁾		0% LOAD	100% LOAD	C_{ISO}	$V_{\text{ISO}} = 750\text{Vrms}$
				75% LOAD ⁽²⁾							$V_{\text{ISO}} = 750\text{Vrms}$	$V_{\text{ISO}} = 750\text{Vrms}$
	MIN	TYP	MAX	MIN	TYP	MAX	TYP	MAX	TYP	TYP	TYP	TYP
DCV010505	4.5	5	5.5	4.75	5	5.25	23	31	20	78	3.6	0.9
DCV010505D ⁽⁴⁾	4.5	5	5.5	± 4.75	± 5	± 5.25	19	32	23	80	3.8	0.9
DCV010512	4.5	5	5.5	11.4	12	12.6	23	38	30	85	5.1	1.2
DCV010512D	4.5	5	5.5	± 11.4	± 12	± 12.6	19	37	40	82	4.0	1.0
DCV010515	4.5	5	5.5	14.25	15	15.75	30	42	34	84	3.8	0.9
DCV010515D	4.5	5	5.5	± 14.25	± 15	± 15.75	27	41	42	85	4.7	1.1
DCV011512D ⁽⁴⁾	13.5	15	16.5	± 11.4	± 12	± 12.6	11	39	19	78	4.2	1.0
DCV011515D ⁽⁴⁾	13.5	15	16.5	± 14.25	± 15	± 15.75	12	39	20	79	4.2	1.0
DCV012405 ⁽⁴⁾	21.6	24	26.4	4.75	5	5.25	13	23	14	77	3.8	0.9
DCV012415D ⁽⁴⁾	21.6	24	26.4	± 14.25	± 15	± 15.75	12	35	17	76	5.3	1.3

NOTES: (1) During UL1950 recognition tests only, UL File #E199929. (2) 100% Load Current = $1\text{W}/V_{\text{NOM}}$ TYP. (3) Load regulation = $(V_{\text{OUT}} \text{ at } 10\% - V_{\text{OUT}} \text{ at } 100\%) / V_{\text{OUT}} \text{ at } 75\%$. (4) Scheduled availability Q4 2000.

The information provided herein is believed to be reliable; however, BURR-BROWN assumes no responsibility for inaccuracies or omissions. BURR-BROWN assumes no responsibility for the use of this information, and all use of such information shall be entirely at the user's own risk. Prices and specifications are subject to change without notice. No patent rights or licenses to any of the circuits described herein are implied or granted to any third party. BURR-BROWN does not authorize or warrant any BURR-BROWN product for use in life support devices and/or systems.

ABSOLUTE MAXIMUM RATINGS

Input Voltage:	
5V Input Models	7V
15V Input Models	18V
24V Input Models	29V
Storage Temperature	-60°C to +125°C
Lead Temperature (soldering, 10s)	270°C

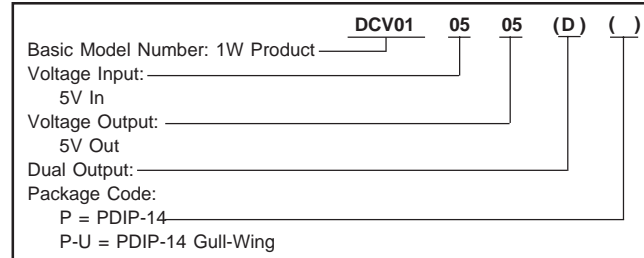


ELECTROSTATIC DISCHARGE SENSITIVITY

This integrated circuit can be damaged by ESD. Burr-Brown recommends that all integrated circuits be handled with appropriate precautions. Failure to observe proper handling and installation procedures can cause damage.

ESD damage can range from subtle performance degradation to complete device failure. Precision integrated circuits may be more susceptible to damage because very small parametric changes could cause the device not to meet its published specifications.

ORDERING INFORMATION

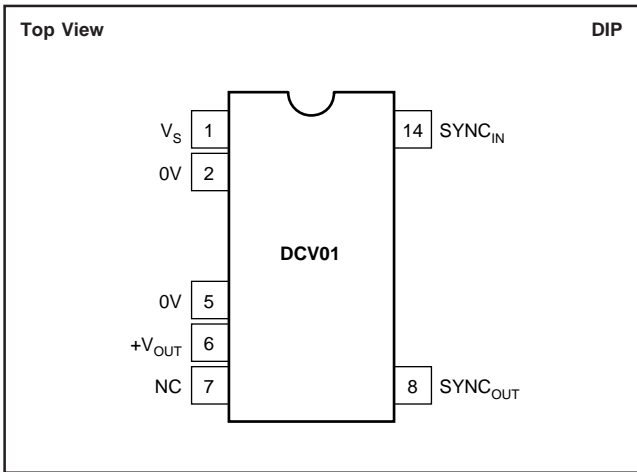


PACKAGE/ORDERING INFORMATION

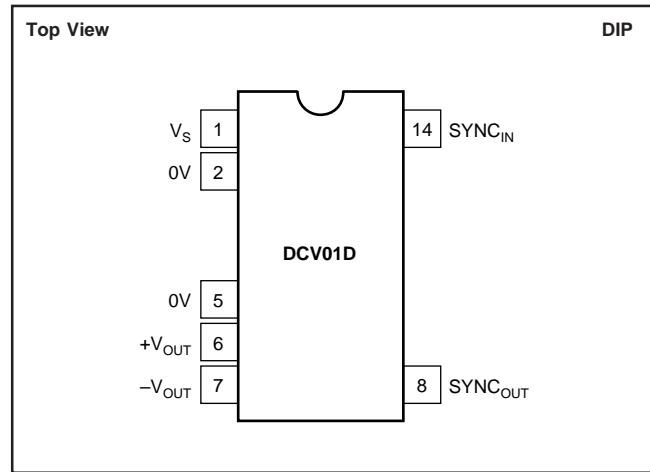
PRODUCT	PACKAGE	PACKAGE DRAWING NUMBER	SPECIFIED TEMPERATURE RANGE	PACKAGE MARKING	ORDERING NUMBER ⁽¹⁾	TRANSPORT MEDIA
Single						
DCV010505P	DIP-14	010-1	-40°C to +85°C	DCV010505P	DCV010505P	Rails
DCV010505P-U	Gull-Wing-14	010-2	-40°C to +85°C	DCV010505P-U	DCV010505P-U/700	Tape and Reel
DCV010512P	DIP-14	010-1	-40°C to +85°C	DCV010512P	DCV010512P	Rails
DCV010512P-U	Gull-Wing-14	010-2	-40°C to +85°C	DCV010512P-U	DCV010512P-U/700	Tape and Reel
DCV010515P	DIP-14	010-1	-40°C to +85°C	DCV010515P	DCV010515P	Rails
DCV010515P-U	Gull-Wing-14	010-2	-40°C to +85°C	DCV010515P-U	DCV010515P-U/700	Tape and Reel
DCV012405P ⁽²⁾	DIP-14	010-1	-40°C to +85°C	DCV012405P	DCV012405P	Tape and Reel
DCV012405P-U ⁽²⁾	Gull-Wing-14	010-2	-40°C to +85°C	DCV012405P-U	DCV012405P-U/700	Rails
Dual						
DCV010505DP ⁽²⁾	DIP-14	010-1	-40°C to +85°C	DCV010505DP	DCV010505DP	Rails
DCV010505DP-U ⁽²⁾	Gull-Wing-14	010-2	-40°C to +85°C	DCV010505DP-U	DCV010505DP-U/700	Tape and Reel
DCV010512DP	DIP-14	010-1	-40°C to +85°C	DCV010512DP	DCV010512DP	Rails
DCV010512DP-U	Gull-Wing-14	010-2	-40°C to +85°C	DCV010512DP-U	DCV010512DP-U/700	Tape and Reel
DCV010515DP	DIP-14	010-1	-40°C to +85°C	DCV010515DP	DCV010515DP	Rails
DCV010515DP-U	Gull-Wing-14	010-2	-40°C to +85°C	DCV010515DP-U	DCV010515DP-U/700	Tape and Reel
DCV011512DP ⁽²⁾	DIP-14	010-1	-40°C to +85°C	DCV011512DP	DCV011512DP	Rails
DCV011512DP-U ⁽²⁾	DIP-14	010-2	-40°C to +85°C	DCV011512DP-U	DCV011512DP-U/700	Tape and Reel
DCV011515DP ⁽²⁾	Gull-Wing-14	010-1	-40°C to +85°C	DCV011515DP	DCV011515DP	Rails
DCV011515DP-U ⁽²⁾	DIP-14	010-2	-40°C to +85°C	DCV011515DP-U	DCV011515DP-U/700	Tape and Reel
DCV012415DP ⁽²⁾	Gull-Wing-14	010-1	-40°C to +85°C	DCV012415DP	DCV012415DP	Rails
DCV012415DP-U ⁽²⁾	DIP-14	010-2	-40°C to +85°C	DCV012415DP-U	DCV012415DP-U/700	Tape and Reel

NOTE: (1) Models with a slash (/) are available only in Tape and Reel in the quantities indicated (e.g., /700 indicates 700 devices per reel). Ordering 700 pieces of "DCP010505BP-U/700" will get a single 700-piece Tape and Reel. (2) Scheduled availability Q4 2000.

PIN CONFIGURATION (Single-DIP and Gull-Wing)



PIN CONFIGURATION (Dual-DIP and Gull-Wing)



PIN DEFINITION (Single-DIP)

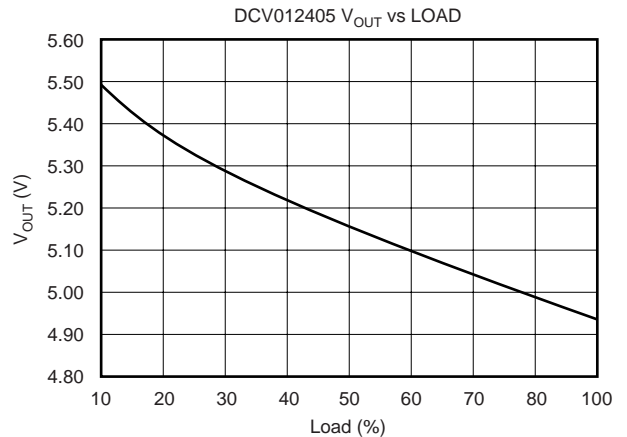
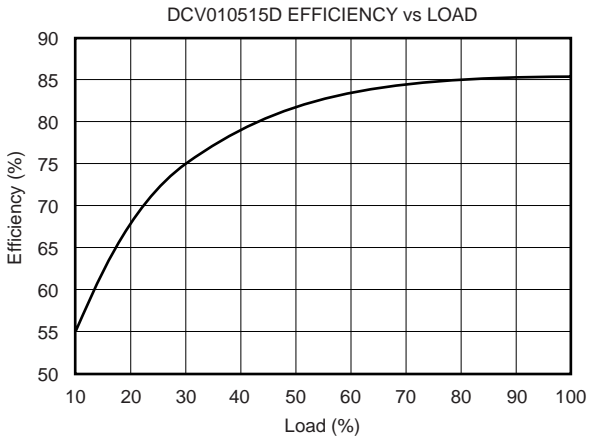
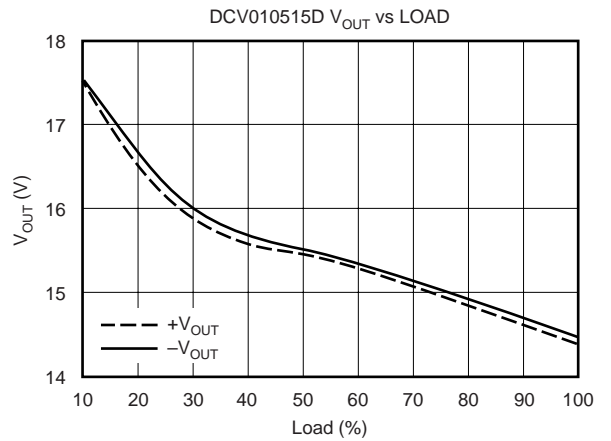
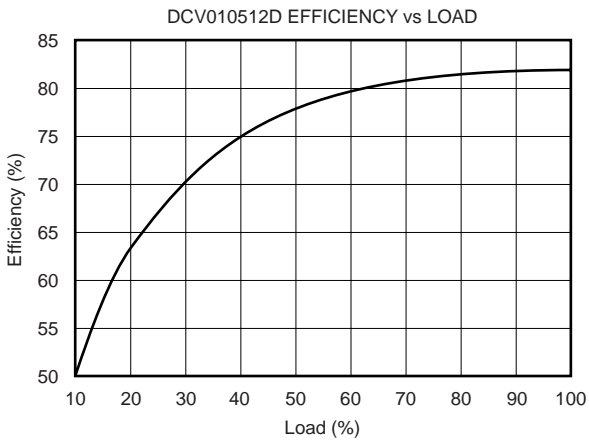
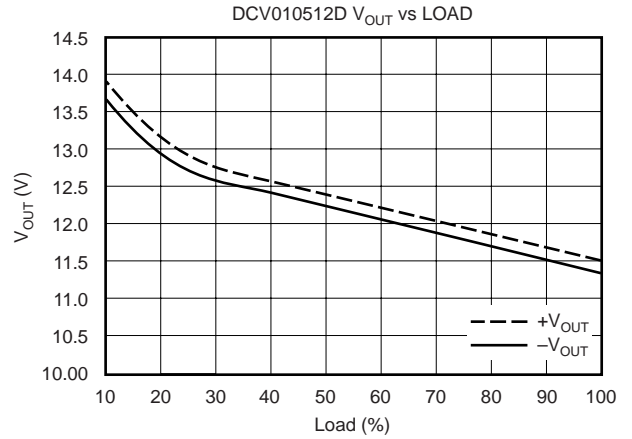
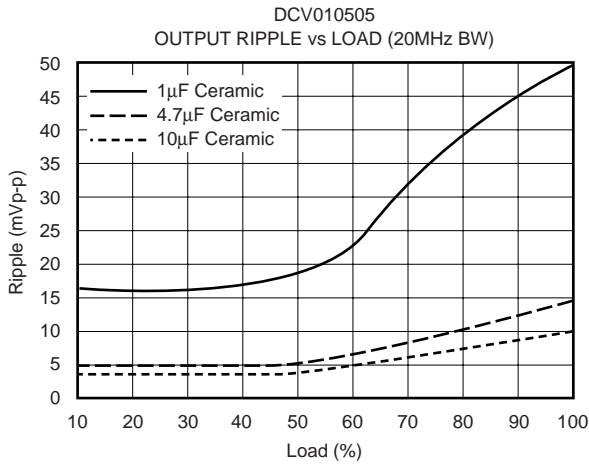
PIN #	PIN NAME	DESCRIPTION
1	V _S	Voltage Input
2	0V	Input Side Common
5	0V	Output Side Common
6	+V _{OUT}	+Voltage Out
7	NC	Not Connected
8	SYNC _{OUT}	Unrectified Transformer Output
14	SYNC _{IN}	Synchronization Pin

PIN DEFINITION (Dual-DIP)

PIN #	PIN NAME	DESCRIPTION
1	V _S	Voltage Input
2	0V	Input Side Common
5	0V	Output Side Common
6	+V _{OUT}	+Voltage Out
7	-V _{OUT}	-Voltage Out
8	SYNC _{OUT}	Unrectified Transformer Output
14	SYNC _{IN}	Synchronization Pin

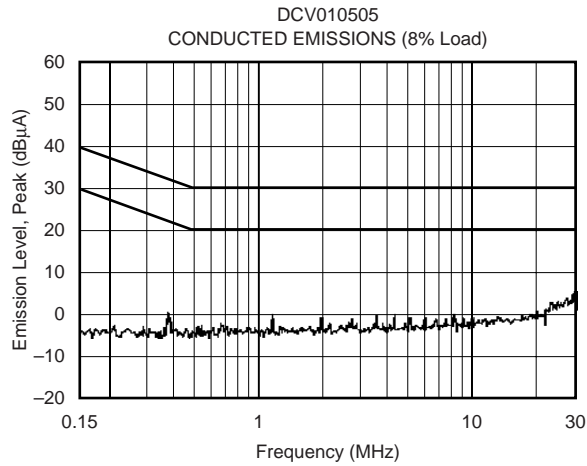
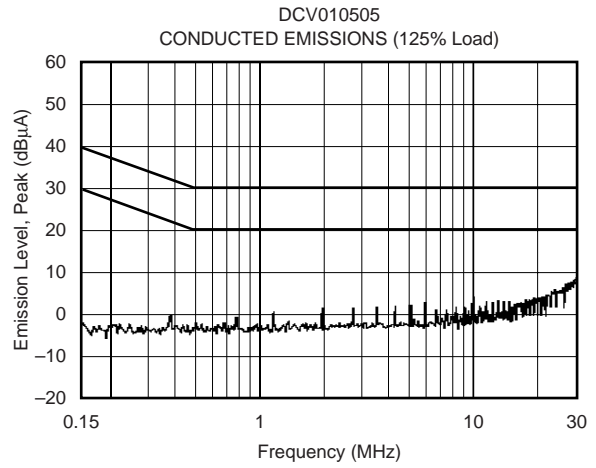
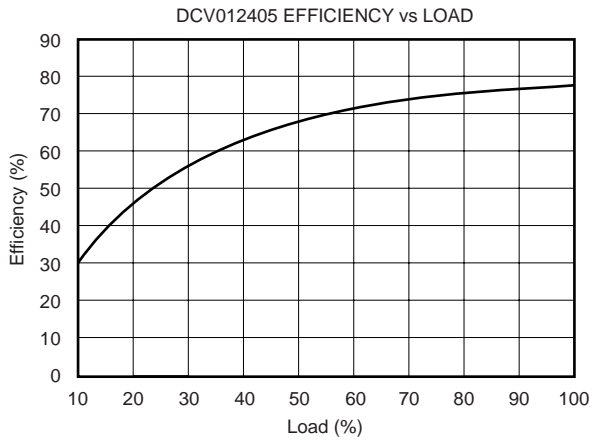
TYPICAL PERFORMANCE CURVES

At $T_A = +25^\circ\text{C}$, unless otherwise noted.



TYPICAL PERFORMANCE CURVES (Cont.)

At $T_A = +25^\circ\text{C}$, unless otherwise noted.



FUNCTIONAL DESCRIPTION

OVERVIEW

The DCV01 offers up to 1W of unregulated output power with a typical efficiency of up to 85%. This is achieved through highly integrated packaging technology and the implementation of a custom power stage and control IC. The circuit design utilizes an advanced BiCMOS/DMOS process. Separate primary and secondary transformer windings give good isolation and low barrier capacitance.

POWER STAGE

This uses a push-pull, center-tapped topology switching at 400kHz (divide by 2 from 800kHz oscillator).

OSCILLATOR AND WATCHDOG

The onboard 800kHz oscillator generates the switching frequency via a divide by 2 circuit. The oscillator can be synchronized to other DCV01 circuits or an external source, and is used to minimize system noise.

A watchdog circuit checks the operation of the oscillator circuit. The oscillator can be stopped by pulling the SYNC_{IN} pin LOW. The output pins will be tri-stated. This will occur in 2μs.

THERMAL SHUTDOWN

The DCV01 is protected by a thermal shutdown circuit. If the on-chip temperature exceeds 150°C, the device will shut down. Once the temperature falls below 150°C, normal operation will resume.

SYNCHRONIZATION

In the event that more than one DC/DC converter is needed onboard, beat frequencies and other electrical interference can be generated. This is due to the small variations in switching frequencies between the DC/DC converters.

The DCV01 overcomes this by allowing devices to be synchronized to one another. Up to eight devices can be synchronized by connecting the SYNC_{IN} pins together, taking care to minimize the capacitance of tracking. Stray capacitance (> 3pF) will have the effect of reducing the

switching frequency, or even stopping the oscillator circuit. If synchronized devices are used, it should be noted that, at start up, all devices will draw maximum current simultaneously. This can cause the input voltage to dip and should it dip below the minimum input voltage (4.5V), the devices may not start up. A 2.2μF capacitor should be connected close to the input pins.

If more than eight devices are to be synchronized, it is recommended that the SYNC_{IN} pins are driven by an external device. Details are contained in a separate applications bulletin (AB-153).

CONSTRUCTION

The DCV01's basic construction is the same as standard ICs. There is no substrate within the molded package. The DCV01 is constructed using an IC, rectifier diodes, and a wound magnetic toroid on a leadframe. As there is no solder within the package, the DCV01 does not require any special PCB assembly processing. This results in an isolated DC/DC converter with inherently high reliability.

ADDITIONAL FUNCTIONS

DISABLE/ENABLE

The DCV01 can be disabled or enabled by driving the SYNC pin using an open drain CMOS gate. If the SYNC_{IN} pin is pulled low, the DCV01 will be disabled. The disable time depends upon the external loading; the internal disable function is implemented in 2μs. Removal of the pull down will cause the DCV01 to be enabled.

Capacitive loading on the SYNC_{IN} pin should be minimized in order to prevent a reduction in the oscillator frequency.

DECOUPLING

Ripple Reduction

The high switching frequency of 400kHz allows simple filtering. To reduce ripple, it is recommended that at least a 1μF capacitor is used on V_{OUT}. Dual outputs should both be decoupled to pin 5. A 2.2μF low ESR capacitor on the input of the 5V in versions, and a 0.47μF low ESR cap on the 24V DCV01 in versions is recommended.

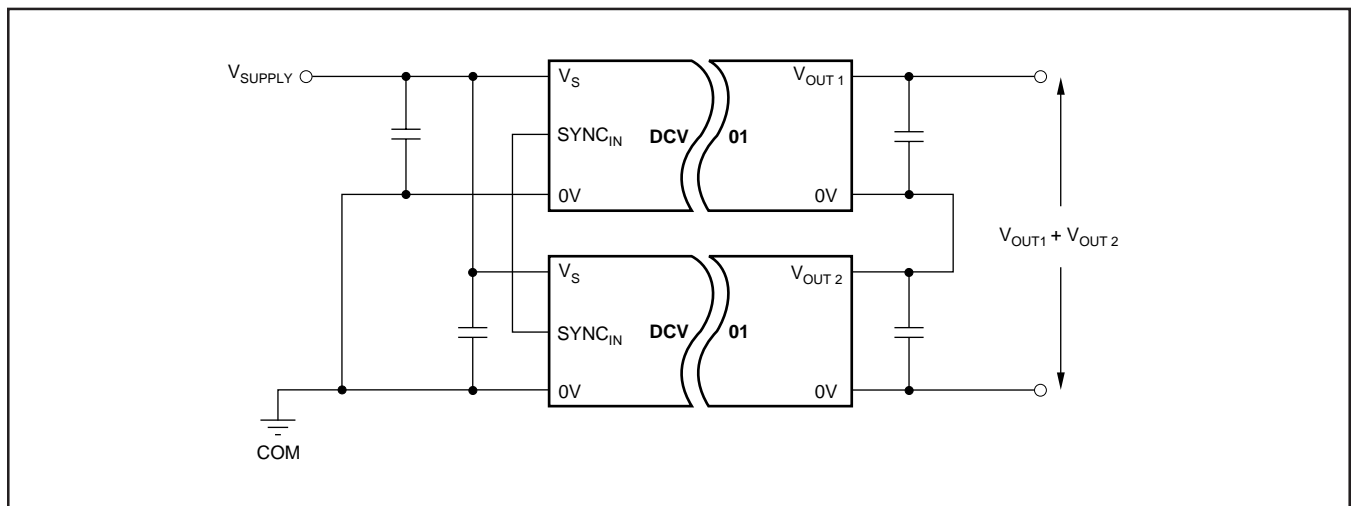


FIGURE 1. Connecting the DCV01 in Series.

Connecting the DCV01 in Series

Multiple DCV01 isolated 1W DC/DC converters can be connected in series to provide nonstandard voltage rails. This is possible by utilizing the floating outputs provided by the DCV01's galvanic isolation.

Connect the positive V_{OUT} from one DCV01 to the negative V_{OUT} (0V) of another (see Figure 1). If the $SYNC_{IN}$ pins are tied together, the self-synchronization feature of the DCV01 will prevent beat frequencies on the voltage rails. The $SYNC_{IN}$ feature of the DCV01 allows easy series connection without external filtering, minimizing cost.

The outputs on dual output DCV01 versions can also be connected in series to provide two times the magnitude of V_{OUT} as shown in Figure 2. For example, a dual 15V DCV01 could be connected to provide a 30V rail.

Connecting the DCV01 in Parallel

If the output power from one DCV01 is not sufficient, it is possible to parallel the outputs of multiple DCV01s, as shown in Figure 3. Again, the $SYNC_{IN}$ feature allows easy synchronization to prevent power-rail beat frequencies at no additional filtering cost.

PCB LAYOUT

Ripple and Noise

Careful consideration should be given to the layout of the PCB in order that the best results can be obtained.

The DCV01 is a switching power supply and as such can place high peak current demands on the input supply. In order to avoid the supply falling momentarily during the fast switching pulses ground and power planes should be used to track the power to the input of DCV01. If this is not possible then the supplies must be connected in a star formation with the tracks made as wide as possible.

If the $SYNC_{IN}$ pin is being used then the tracking between device $SYNC_{IN}$ pins should be short to avoid stray capacitance. If the $SYNC_{IN}$ pin is not being used it is advisable to place a guard ring, (connected to input ground) around this pin to avoid any noise pick up.

The output should be taken from the device using ground and power planes, this will ensure minimum losses.

A good quality low ESR capacitor placed as close as practicable across the input will reduce reflected ripple and ensure a smooth start up.

A good quality low ESR capacitor placed as close as practicable across the rectifier output terminal and output ground will give the best ripple and noise performance.

THERMAL MANAGEMENT

Due to the high power density of this device it is advisable to provide ground planes on the input and output.

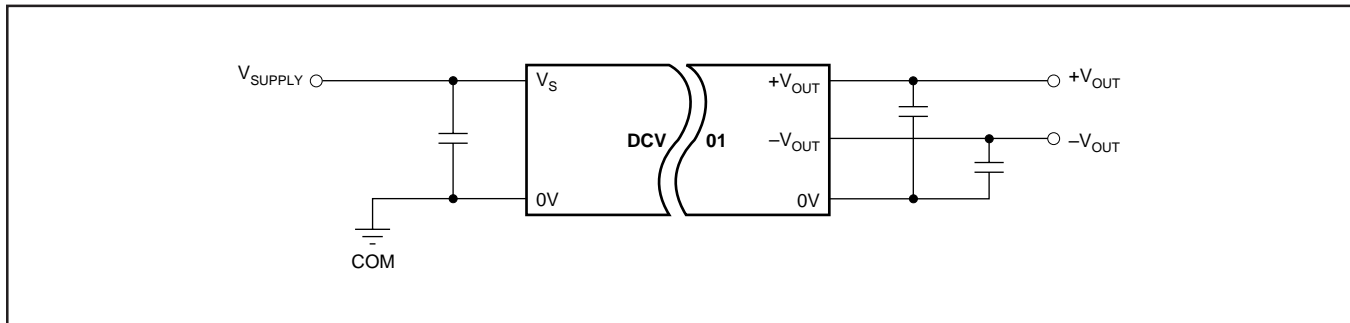


FIGURE 2. Connecting Dual Outputs in Series.

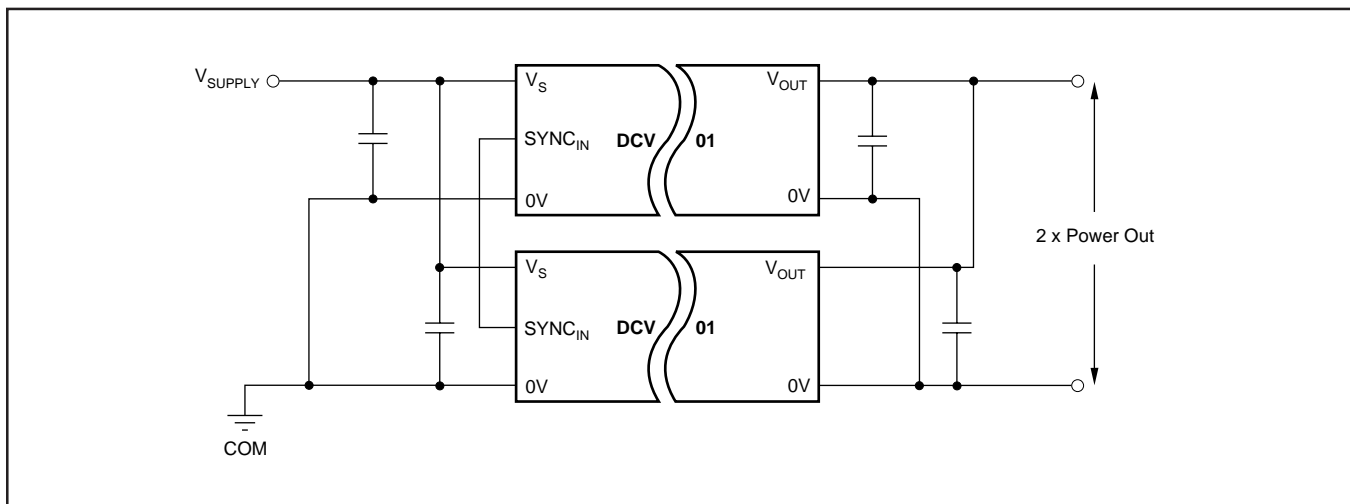


FIGURE 3. Connecting Multiple DCV01s in Parallel.

PACKAGING INFORMATION

ORDERABLE DEVICE	STATUS(1)	PACKAGE TYPE	PACKAGE DRAWING	PINS	PACKAGE QTY
DCV010505DP	ACTIVE	PDIP	NVA	7	25
DCV010505P	ACTIVE	PDIP	NVA	7	25
DCV010505P-U	ACTIVE	SOP	DUA	7	25
DCV010505P-U/700	ACTIVE	SOP	DUA	7	700
DCV010512DP	ACTIVE	PDIP	NVA	7	25
DCV010512DP-U	ACTIVE	SOP	DUA	7	25
DCV010512DP-U/700	ACTIVE	SOP	DUA	7	700
DCV010512P	ACTIVE	PDIP	NVA	7	25
DCV010512P-U	ACTIVE	SOP	DUA	7	25
DCV010512P-U/700	ACTIVE	SOP	DUA	7	700
DCV010515DP	ACTIVE	PDIP	NVA	7	25
DCV010515DP-U	ACTIVE	SOP	DUA	7	25
DCV010515DP-U/700	ACTIVE	SOP	DUA	7	700
DCV010515P	ACTIVE	PDIP	NVA	7	25
DCV010515P-U	ACTIVE	SOP	DUA	7	25
DCV010515P-U/700	ACTIVE	SOP	DUA	7	700
DCV011512DP	ACTIVE	PDIP	NVA	7	25
DCV011512DP-U	ACTIVE	SOP	DUA	7	25
DCV011512DP-U/700	ACTIVE	SOP	DUA	7	700
DCV011515DP	ACTIVE	PDIP	NVA	7	25
DCV011515DP-U	ACTIVE	SOP	DUA	7	25
DCV011515DP-U/700	ACTIVE	SOP	DUA	7	700
DCV012405P	ACTIVE	PDIP	NVA	7	25
DCV012405P-U	ACTIVE	SOP	DUA	7	25
DCV012405P-U/700	ACTIVE	SOP	DUA	7	700
DCV012415DP	ACTIVE	PDIP	NVA	7	25
DCV012415DP-U	ACTIVE	SOP	DUA	7	25
DCV012415DP-U/700	ACTIVE	SOP	DUA	7	700

(1) The marketing status values are defined as follows:

ACTIVE: Product device recommended for new designs.

LIFEBUY: TI has announced that the device will be discontinued, and a lifetime-buy period is in effect.

NRND: Not recommended for new designs. Device is in production to support existing customers, but TI does not recommend using this part in a new design.

PREVIEW: Device has been announced but is not in production. Samples may or may not be available.

OBSOLETE: TI has discontinued the production of the device.

IMPORTANT NOTICE

Texas Instruments Incorporated and its subsidiaries (TI) reserve the right to make corrections, modifications, enhancements, improvements, and other changes to its products and services at any time and to discontinue any product or service without notice. Customers should obtain the latest relevant information before placing orders and should verify that such information is current and complete. All products are sold subject to TI's terms and conditions of sale supplied at the time of order acknowledgment.

TI warrants performance of its hardware products to the specifications applicable at the time of sale in accordance with TI's standard warranty. Testing and other quality control techniques are used to the extent TI deems necessary to support this warranty. Except where mandated by government requirements, testing of all parameters of each product is not necessarily performed.

TI assumes no liability for applications assistance or customer product design. Customers are responsible for their products and applications using TI components. To minimize the risks associated with customer products and applications, customers should provide adequate design and operating safeguards.

TI does not warrant or represent that any license, either express or implied, is granted under any TI patent right, copyright, mask work right, or other TI intellectual property right relating to any combination, machine, or process in which TI products or services are used. Information published by TI regarding third-party products or services does not constitute a license from TI to use such products or services or a warranty or endorsement thereof. Use of such information may require a license from a third party under the patents or other intellectual property of the third party, or a license from TI under the patents or other intellectual property of TI.

Reproduction of information in TI data books or data sheets is permissible only if reproduction is without alteration and is accompanied by all associated warranties, conditions, limitations, and notices. Reproduction of this information with alteration is an unfair and deceptive business practice. TI is not responsible or liable for such altered documentation.

Resale of TI products or services with statements different from or beyond the parameters stated by TI for that product or service voids all express and any implied warranties for the associated TI product or service and is an unfair and deceptive business practice. TI is not responsible or liable for any such statements.

Following are URLs where you can obtain information on other Texas Instruments products and application solutions:

Products		Applications	
Amplifiers	amplifier.ti.com	Audio	www.ti.com/audio
Data Converters	dataconverter.ti.com	Automotive	www.ti.com/automotive
DSP	dsp.ti.com	Broadband	www.ti.com/broadband
Interface	interface.ti.com	Digital Control	www.ti.com/digitalcontrol
Logic	logic.ti.com	Military	www.ti.com/military
Power Mgmt	power.ti.com	Optical Networking	www.ti.com/opticalnetwork
Microcontrollers	microcontroller.ti.com	Security	www.ti.com/security
		Telephony	www.ti.com/telephony
		Video & Imaging	www.ti.com/video
		Wireless	www.ti.com/wireless

Mailing Address: Texas Instruments
Post Office Box 655303 Dallas, Texas 75265

Copyright © 2003, Texas Instruments Incorporated