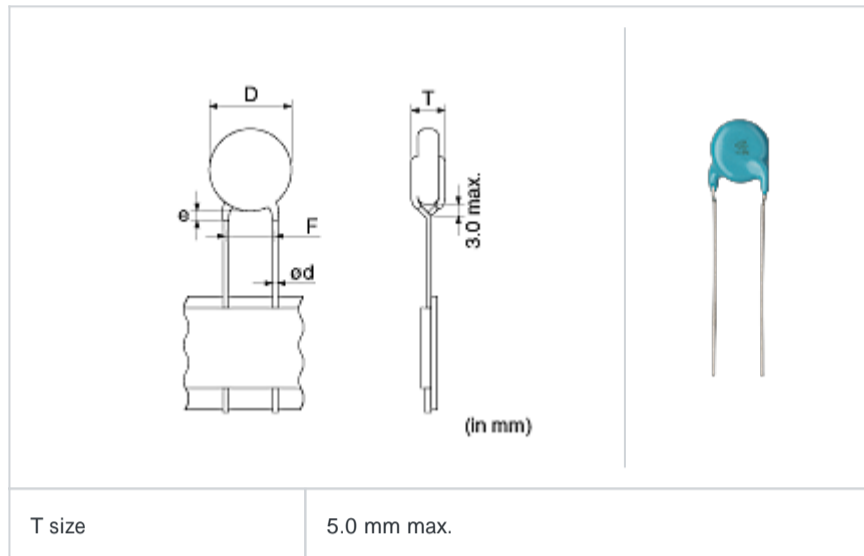


# DE2E3KY472MN3AM02

" # " indicates a package specification code.

< List of part numbers with package codes >  
DE2E3KY472MN3AM02

## Shape



## Notes

X1/Y2 Class Certified Products

## References

Packaging	Specifications	Minimum quantity
A	Ammo pack	900

## Specifications

Capacitance	4700pF ± 20%
Rated voltage	250Vac(r.m.s.)
Temperature characteristics (complied standard)	E(JIS)
Capacitance change rate	+20/-55%
Temperature range of temperature characteristics	-25 to 85
Operating temperature range	-25 to 125

## ⚠ Attention

- 1.This datasheet is downloaded from the website of Murata Manufacturing Co., Ltd. Therefore, it ' s specifications are subject to change or our products in it may be discontinued without advance notice. Please check with our sales representatives or product engineers before ordering.
- 2.This datasheet has only typical specifications because there is no space for detailed specifications. Therefore, please review our product specifications or consult the approval sheet for product specifications before ordering.