

DFRobot

Digital Buzzer Module (SKU: DFR0032)



Digital Buzzer Module (SKU: DFR0032)

This is the *DFRobot Buzzer Module*. Through the Arduino or other controllers, this module will be able to control the buzzer sounds or MID music easily. It is extended with the Arduino board sensors used in combination, to achieve the control of an interactive sound and light works. The module pin definitions: 1 - Output, 2 - Power Supply, 3 - ground. Module interface socket for PH2.0.

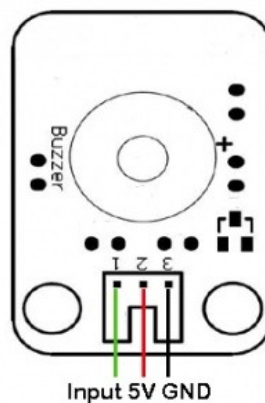
Specification

- Type: Digital
- Power supply: 5VDC

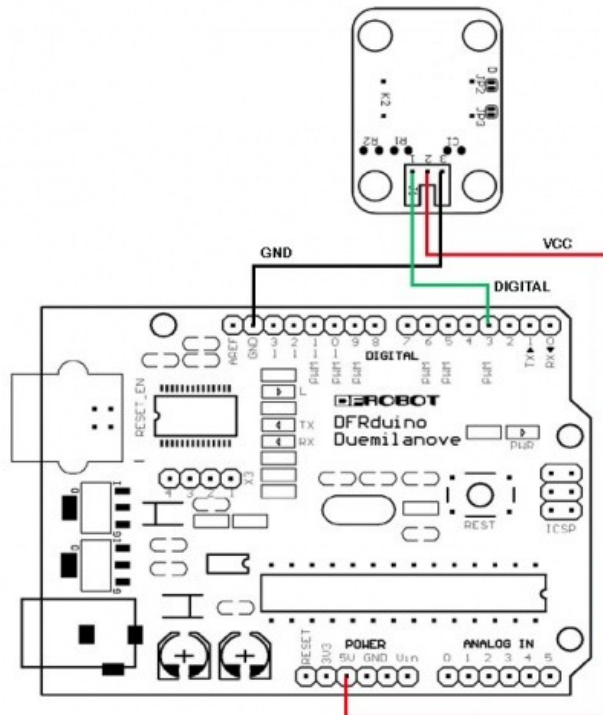
Pin Definition

Pin definition :

1. Input
2. Power
3. GND



Connection Diagram



Digital module connection diagram

Sample Code

```
int buzzPin = 3;    //Connect Buzzer on Digital Pin3

void setup()

{
  pinMode(buzzPin, OUTPUT);
}

void loop()
{
  digitalWrite(buzzPin, HIGH);
  delay(1);
  digitalWrite(buzzPin, LOW);
  delay(1);
}
```