

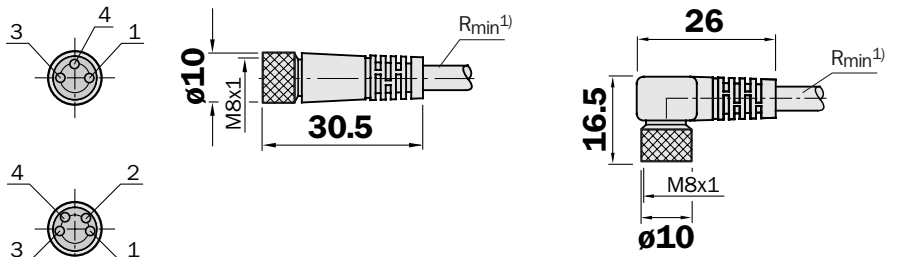
Connecting cables PVC

Round connectors

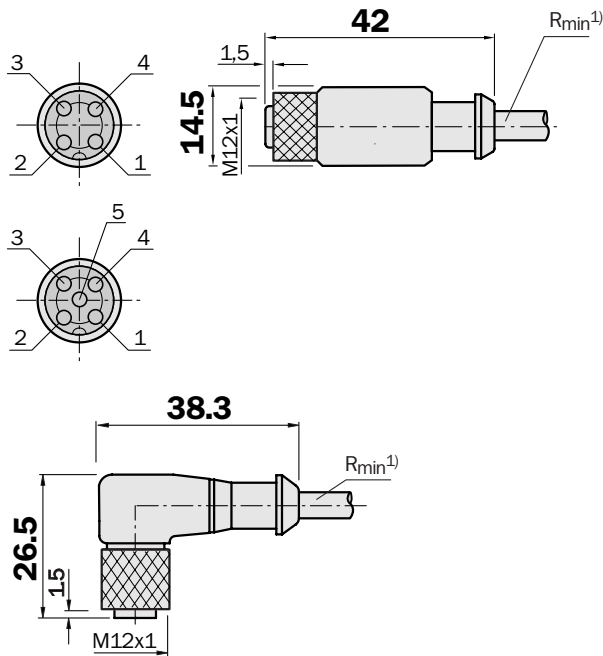
- Gold plated pins
- Self locking threaded
- Conditional resistance to chemicals and oils
- Especially suitable for use in assembly, packaging and production lines
- Enclosure rating IP 68 (M12)/IP 67 (M8) (only in fully locked position with its plugs)

Dimensional drawings

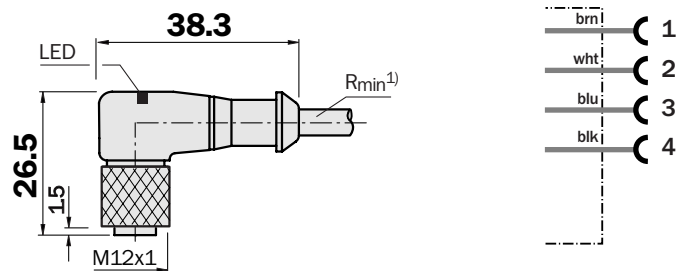
DOL-08...



DOL-12...



DOL-1204-L...



Contacts	Wire colour
1	brown
2	white
3	blue
4	black
5	grey

1) Minimum bend radius in dynamic use
 $R_{min} = 20 \times \text{cable diameter}$



(for M8-connector in preparation)

Technical data	
Nominal voltage U_b	60 V AC/75 V DC (M8-connector)
	250 V AC/300 V DC (M12, 4-pin-connector)
	30 V AC/36 V DC (M12, 5-pin-connector)
	10 ... 30 V DC (M12, LED-indicator)
Contact resistance	≤ 5 mΩ
Nominal power	4 A (CSA = 3 A)
Testvoltage	2.0 kV eff./60 s. (M12, 4-pin-connector)
	1.5 kV eff./60 s. (M8-connector and M12, 5-pin)
Insulation group	C acc. VDE 0110
Insulation resistance	> 10 ⁹ Ω
Temperature range	In fixed position -40 °C ... +80 °C
	In flexible motion +5 °C ... +80 °C
Bending radius	> 10 x diameter of cable (in flexible motion)
	5 x diameter of cable (in fixed position)
Contact	CuZn, 0.3 μm gold plated
Locking nut	CuZn, brass nickeled
Cable	PVC, colour orange
Conductor diameter	3 x 0.34 mm ²
	4 x 0.25 mm ²
	5 x 0.5 mm ²
Connector	TPU, colour orange

Order information

Round connectors M8 connecting cable , PVC

Type	Order no.	Description	Contacts	Cable length [m]
DOL-0803-G02M	6 010 785	Female connector straight	3	2
DOL-0803-G05M	6 022 010	Female connector straight	3	5
DOL-0803-G10M	6 022 011	Female connector straight	3	10
DOL-0803-W02M	6 008 489	Female connector angled	3	2
DOL-0803-W05M	6 022 009	Female connector angled	3	5
DOL-0803-W10M	6 022 012	Female connector angled	3	10
DOL-0804-G02M	6 009 870	Female connector straight	4	2
DOL-0804-G05M	6 009 872	Female connector straight	4	5
DOL-0804-G10M	6 010 754	Female connector straight	4	10
DOL-0804-W02M	6 009 871	Female connector angled	4	2
DOL-0804-W05M	6 009 873	Female connector angled	4	5
DOL-0804-W10M	6 010 755	Female connector angled	4	10

Round connectors M12 connecting cable, PVC

Type	Order no.	Description	Contacts	Cable length [m]
DOL-1204-G02M	6 009 382	Female connector straight	4	2
DOL-1204-G05M	6 009 866	Female connector straight	4	5
DOL-1204-G10M	6 010 543	Female connector straight	4	10
DOL-1204-G15M	6 010 753	Female connector straight	4	15
DOL-1204-W02M	6 009 383	Female connector angled	4	2
DOL-1204-W05M	6 009 867	Female connector angled	4	5
DOL-1204-W10M	6 010 541	Female connector angled	4	10
DOL-1204-L02M	6 027 945	Female connector angled LED (PNP)	4	2
DOL-1204-L05M	6 027 944	Female connector angled LED (PNP)	4	5
DOL-1204-L10M	6 027 946	Female connector angled LED (PNP)	4	10
DOL-1205-G02M	6 008 899	Female connector straight	5	2
DOL-1205-G05M	6 009 868	Female connector straight	5	5
DOL-1205-G10M	6 010 544	Female connector straight	5	10
DOL-1205-W02M	6 008 900	Female connector angled	5	2
DOL-1205-W05M	6 009 869	Female connector angled	5	5
DOL-1205-W10M	6 010 542	Female connector angled	5	10
DOL-1205-G05MX	6 010 474	Female connector straight (shielded PIN 5)	5	5