

## DIGITAL TRANSISTOR

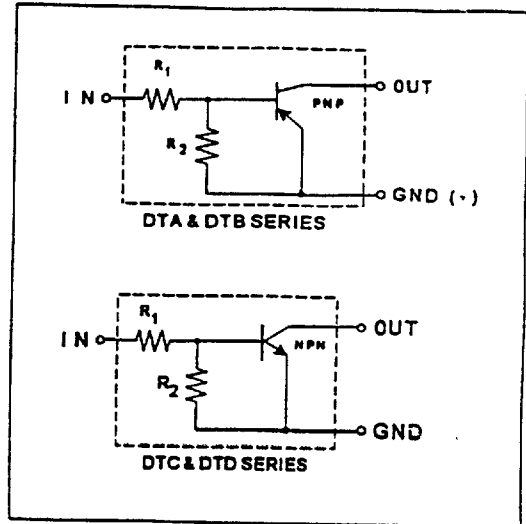
### APPLICATION:

- Inverter, Driver & Interface Circuits

### FEATURES:

- Replaces up to three parts (1 transistor & 2 resistors) with one part
- Available in a variety of surface mount or leaded (thru-hole) packages
- High packing density requires less board space
- Cost savings due to fewer components to purchase & stock & handle
- Improved reliability due to reduced number of components
- Available in PNP & NPN polarities
- Available in 100 mA & 500 mA devices
- Decreased parasitic effects
- Double diffused silicon, Epitaxial Planar Transistor with thin film internal bias resistors

### EQUIVALENT CIRCUITS:



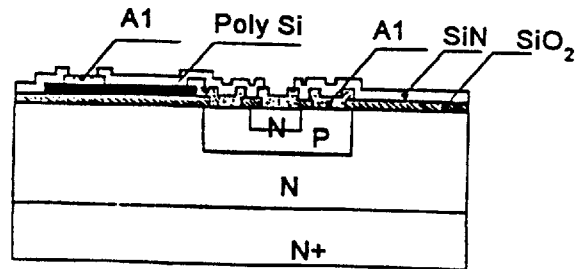
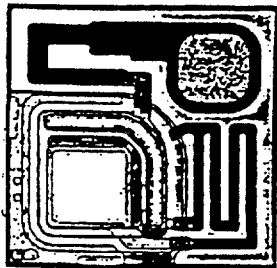
### MAXIMUM RATINGS:

PARAMETER	PNP		NPN		UNITS
	DTA	DTB	DTC	DTD	
Power Supply Voltage ( $V_{cc}$ )	50	50	50	50	Volts
Collector Current ( $I_c$ )	100	500	100	500	mA
Junction Temperature ( $T_j$ )	+125	+125	+125	+125	$^{\circ}C$
Storage Temperature ( $T_{stg}$ )	-55 to +125	-55 to +125	-55 to +125	-55 to +125	$^{\circ}C$
Power Dissipation ( $P_d$ )	Rated by Package -- See Table Below				mW

### MAXIMUM POWER DISSIPATION BY PACKAGE: $P_d$ (mW)

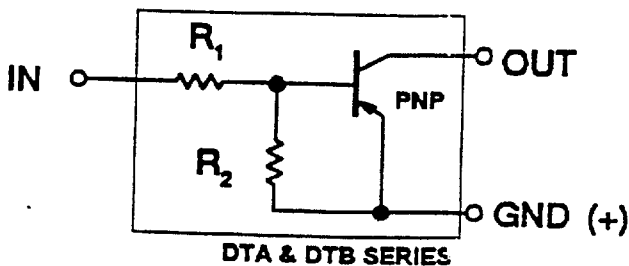
Test Condition	SURFACE MOUNT DEVICES				THRU-HOLE (LEADED) DEVICES				
	SST (SOT-23)	SMT (SC-59)	UMT	EM3	SPT (TO-92S)	ATR	ATV	FTR	FTL
Free Air/PCB	200	200	200	150	300	300	300	300	300
Ceramic Substrate	350	350	350	250	—	—	—	—	—

### DIGITAL TRANSISTOR CONSTRUCTION:

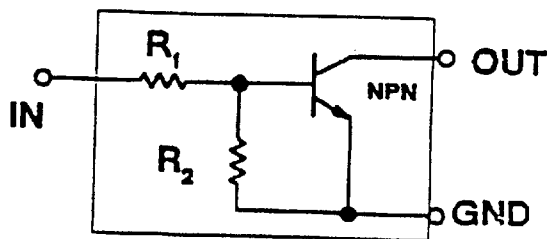


7828999 0014555 SOT

Digital Transistor Summary Table



DTA & DTB SERIES



DTC & DTD SERIES

Resistor Values		PNP $I_c(\text{Max}) = 100 \text{ mA}$ 2N3908	PNP $I_c(\text{Max}) = 600 \text{ mA}$ PN2907A/2N4403	NPN $I_c(\text{Max}) = 100 \text{ mA}$ 2N3904	NPN $I_c(\text{Max}) = 500 \text{ mA}$ PN2222A/2N4401
$R_1$	$R_2$				
1/K 1/K 1/K	1K NONE 10K	- DTA 113T DTA 113Z	DTB 113E - DTB 113Z	- - DTC 113Z	DTD 113E - DTD 113Z
10K 0 10K 10K 10K	10K 10K NONE 4.7K 47K	DTA 114E DTA 114G DTA 114T DTA 114W DTA 114Y/DTA 214Y	DTB 114E - DTB 114T - -	DTC 114E DTC 114G DTC 114T/DTC 314T * DTC 114W DTC 114Y	DTD 114E DTD 114G DTD 114T - -
100K 0 100K 100K	100K 100K NONE 10K	DTA 115E DTA 115G DTA 115T DTA 115U	- - - -	DTC 115E DTC 115G DTC 115T DTC 115U	- - - -
.22K	4.7K	-	DTB 122J	-	DTD 122J
2.2K 2.2K 2.2K 2.2K	2.2K NONE 47K 10K	DTA 123E - DTA 123J DTA 123Y	DTB 123E DTB 123T - DTB 123Y	DTC 123E DTC 323T * DTC 123J DTC 123Y	DTD 123E DTD 123T - DTD 123Y
2.7K	1K	DTA 1D3R	-	DTC 1D3R	-
22K 0 22K 22K 22K	22K 22K NONE 47K	DTA 124E DTA 124G DTA 124T DTA 124X	- - - -	DTC 124E DTC 124G DTC 124T DTC 124X	- - - -
220K	NONE	DTA 125T	-	DTC 125T	-
3.3K	10K	-	DTB 133H	-	DTD 133H
4.7K 4.7K 4.7K 4.7K 4.7K	4.7K NONE 10K 22K 47K	DTA 143E DTA 143T DTA 143X DTA 143Y DTA 143Z	DTB 143E DTB 143T - - -	DTC 143E DTC 143T/DTC 343T * DTC 143X DTC 143Y DTC 143Z	DTD 143E DTD 143T - - -
47K 0 47K 47K 47K	47K 47K NONE 10K 22K	DTA 144E DTA 144G DTA 144T DTA 144V DTA 144W	- - - - -	DTC 144E DTC 144G DTC 144T DTC 144V DTC 144W	- - - - -
6.8K 6.8K	6.8K NONE	- -	DTB 163T	DTC 363E * DTC 363T *	- DTD 163T

\*  $I_c = 600 \text{ mA}$

NOTE: See "How to Order" for complete part number

ROHM CORPORATION, Rohm Electronics Division, 3034 Owen Dr., Antioch, TN 37013 (615)641-2020 FAX (615)641-2022

7828999 0014556 446



DIGITAL TRANSISTOR: PNP

ELECTRICAL CHARACTERISTICS: 100 mA Series

PART NUMBER	TYP	RESISTOR VALUE		R2/R1			Ic Max (mA)	INPUT VOLT		hFE			Icbo		Icbo		PART MARK	DIE TYPE	EQUIVALENT CIRCUIT
		R1 (K)	R2 (K)	Min	Typ	Max		Min	Max	Min	Vce (V)	Ic (mA)	Max	Vcb (V)	Max	Vce (V)			
DTA113Z	PNP	1.0	10.0	8	10	12	100	-10	5	33	5	5	0.5	50	0.5	50	E11/111	A776	
DTA114E	PNP	10.0	10.0	0.8	1	1.2	100	-40	10	30	5	5	0.5	50	0.5	50	14	A768	
DTA114W	PNP	10.0	4.7	0.37	0.47	0.57	100	-30	10	24	5	10	0.5	50	0.5	50	74	A778	
DTA114Y	PNP	10.0	47.0	3.7	4.7	5.7	100	-40	8	68	5	5	0.5	50	0.5	50	54	A762	
DTA115E *	PNP	100.0	100.0	0.8	1	1.2	100	-40	10	82	5	5	0.5	50	0.5	50	19	B861	
DTA115U	PNP	100.0	10.0	0.08	0.1	0.12	100	-40	10	27	5	5	0.5	50	0.5	50	E79/179	B865	
DTA123E	PNP	2.2	2.2	0.8	1	1.2	100	-12	10	20	5	20	0.5	50	0.5	50	12	A733	
DTA123J	PNP	2.2	47.0	1.7	2.1	2.6	100	-12	5	80	5	10	0.5	50	0.5	50	E32/132	A774	
DTA123Y	PNP	2.2	10.0	3.8	4.5	5.5	100	-12	5	33	5	10	0.5	50	0.5	50	52	A777	
DTA124E	PNP	22.0	22.0	0.8	1	1.2	100	-40	10	56	5	5	0.5	50	0.5	50	15	A761	
DTA124X	PNP	22.0	47.0	1.7	2.1	2.6	100	-40	10	68	5	5	0.5	50	0.5	50	35	A770	
DTA143E	PNP	4.7	4.7	0.8	1	1.2	100	-30	10	20	5	10	0.5	50	0.5	50	13	A768	
DTA143X	PNP	4.7	10.0	1.7	2.1	2.6	100	-20	7	30	5	10	0.5	50	0.5	50	33	A769	
DTA143Y	PNP	4.7	22.0	3.7	4.7	5.7	100	-30	8	56	5	5	0.5	50	0.5	50	53	A785	
DTA143Z	PNP	4.7	47.0	8	10	12	100	-30	5	80	5	10	0.5	50	0.5	50	E13/113	A775	
DTA144E	PNP	7.0	47.0	0.8	1	1.2	100	-40	15	68	5	5	0.5	50	0.5	50	16	A782	
DTA144V	PNP	7.0	10.0	0.17	0.21	0.26	100			33	5	5	0.5	50	0.5	50	E56/156	A774	
DTA144W	PNP	47.0	22.0	0.37	0.47	0.57	100	-40	10	56	5	5	0.5	50	0.5	50	76	A767	
DTA214Y	PNP	10	47	3.7	4.7	5.7	100	-40	6	68	5	5	0.5	50	0.5	50	N14	A762	
DTA1D3R	PNP	2.7	1.0	0.33	0.37	0.41	100	-15	15	20	5	30	0.5	50	0.5	50	K3B	A784	

PART NUMBER	TYP	RESISTOR VALUE		Vcbo Max (V)	Vceo Max (V)	Vebo Max (V)	Ic Max (mA)	hFE			Icbo Max (uA)	Vcb (V)	Icbo Max (uA)	Vcb (V)	PART MARK	DIE TYPE	EQUIVALENT CIRCUIT		
		R1 (K)	R2 (K)					Min	Typ	Max								Vce (V)	Ic (mA)
DTA143T	PNP	4.7	NONE	50	50	5	100	100	250	600	5	1	0.5	50	0.5	4	93	A764	
DTA114T	PNP	10.0	NONE	50	50	5	100	100	250	600	5	1	0.5	50	0.5	4	94	A765	
DTA124T	PNP	22.0	NONE	50	50	5	100	100	250	600	5	1	0.5	50	0.5	4	95	A771	
DTA144T	PNP	47.0	NONE	50	50	5	100	100	250	600	5	1	0.5	50	0.5	4	96	A772	
DTA115T	PNP	100.0	NONE	50	50	5	100	100	250	600	5	1	0.5	50	0.5	4	99	B864	
DTA125T	PNP	200.0	NONE	50	50	5	100	100	250	600	5	1	0.5	50	0.5	4	9A	B863	
DTA113T	PNP	1.0	NONE	50	50	5	100	100	250	600	5	1	0.5	50	0.5	4	91	A786	

PART NUMBER	TYP	RESISTOR VALUE		Vcbo Max (V)	Vceo Max (V)	Vebo Max (V)	Ic Max (mA)	hFE			Icbo Max (uA)	Vcb (V)	Icbo Max (uA)	Vcb (V)	PART MARK	DIE TYPE	EQUIVALENT CIRCUIT		
		R1 (K)	R2 (K)					Min	Typ	Max								Vce (V)	Ic (mA)
DTA114G	PNP	0	10.0	50	50	5	100	30	-	-	5	5	0.5	50	580	4	K14	A780	
DTA124G	PNP	0	22.0	50	50	5	100	56	-	-	5	5	0.5	50	260	4	K15	A781	
DTA144G	PNP	0	47.0	50	50	5	100	68	-	-	5	5	0.5	50	130	4	K16	A782	
DTA115G	PNP	0	100.0	50	50	5	100	82	-	-	5	5	0.5	50	58	4	K19	B862	
DTB114G	PNP	0	10.0	50	50	5	500	58	-	-	5	100	0.5	50	0.5	4	L14	B726	

ELECTRICAL CHARACTERISTICS: 500 mA Series

PART NUMBER	TYP	RESISTOR VALUE		Vcbo Max (V)	Vceo Max (V)	Vebo Max (V)	Ic Max (mA)	hFE			Icbo Max (uA)	Vcb (V)	Icbo Max (uA)	Vcb (V)	PART MARK	DIE TYPE	EQUIVALENT CIRCUIT		
		R1 (K)	R2 (K)					Min	Typ	Max								Vce (V)	Ic (mA)
DTB113E	PNP	1.0	1.0	0.8	1	1.2	500	-10	10	33	5	50	0.5	50	0.5	50	F11	B717	
DTB113Z	PNP	1.0	10.0	8	10	12	500	-10	5	56	5	50	0.5	50	0.5	50	G11	B718	
DTB114E	PNP	10.0	10.0	0.8	1	1.2	500	-40	10	56	5	50	0.5	50	0.5	50	F14	B714	
DTB123E	PNP	2.2	2.2	0.8	1	1.2	500	-12	10	39	5	50	0.5	50	0.5	50	F12	B712	
DTB143E	PNP	4.7	4.7	0.8	1	1.2	500	-30	10	47	5	50	0.5	50	0.5	50	F13	B713	
DTB123Y	PNP	2.2	10.0	3.8	4.5	5.5	500	-12	5	56	5	50	0.5	50	0.5	50	F52	B715	
DTB122J	PNP	0.22	4.7	17.1	21.3	25.6	500	-5	5	47	5	50	0.5	50	0.5	50	G3C	B725	
DTB133H	PNP	3.3	10.0	2.4	3	3.7	500	-20	8	56	5	50	0.5	50	0.5	50	G98	B719	

PART NUMBER	TYP	RESISTOR VALUE		Vcbo Max (V)	Vceo Max (V)	Vebo Max (V)	Ic Max (mA)	hFE			Icbo Max (uA)	Vcb (V)	Icbo Max (uA)	Vcb (V)	PART MARK	DIE TYPE	EQUIVALENT CIRCUIT		
		R1 (K)	R2 (K)					Min	Typ	Max								Vce (V)	Ic (mA)
DTB123T	PNP	2.2	NONE	50	50	5	500	100	250	600	5	50	0.5	50	0.5	4	E92	B723	
DTB143T	PNP	4.7	NONE	50	50	5	500	100	250	600	5	50	0.5	50	0.5	4	F03	B720	
DTB163T	PNP	6.8	NONE	50	50	5	500	100	250	600	5	50	0.5	50	0.5	4	E97	B721	
DTB114T	PNP	10.0	NONE	50	50	5	500	100	250	600	5	50	0.5	50	0.5	4	E94	B722	

DIGITAL TRANSISTOR: NPN  
ELECTRICAL CHARACTERISTICS: 100 mA Series

Table with 28 columns: PART NUMBER, Vin(off) Max/Vce/Vc, Vin(on) Min/Vce/Vc, Vo(on) TYP/Max/Ic/Ib, Ib Max/Vin, Ic(OFF) Max/Vce/Vin, Vce(SAT) Max/Ic/Ib, Cob @ F=1MHz TYP/Max/Vcb/Ic, CUT-OFF FREQ ft/Vce/Ic. Rows include DTC113Z, DTC114E, DTC114W, DTC114Y, DTC115E, DTC115U, DTC123E, DTC123J, DTC123Y, DTC124E, DTC124X, DTC143E, DTC143X, DTC143Y, DTC143Z, DTC144E, DTC144V, DTC144W, DTC214Y, DTC1D3R.

Table with 28 columns: PART NUMBER, Vin(off) Max/Vce/Vc, Vin(on) Min/Vce/Vc, Vo(on) TYP/Max/Ic/Ib, Ib Max/Vin, Ic(OFF) Max/Vce/Vin, Vce(SAT) Max/Ic/Ib, Cob @ F=1MHz TYP/Max/Vcb/Ic, CUT-OFF FREQ ft/Vce/Ic. Rows include DTC143T, DTC114T, DTC124T, DTC144T, DTC115T, DTC125T, DTC113T.

Table with 28 columns: PART NUMBER, Vin(off) Max/Vce/Vc, Vin(on) Min/Vce/Vc, Vo(on) TYP/Max/Ic/Ib, Ib Max/Vin, Ic(OFF) Max/Vce/Vin, Vce(SAT) Max/Ic/Ib, Cob @ F=1MHz TYP/Max/Vcb/Ic, CUT-OFF FREQ ft/Vce/Ic. Rows include DTC114G, DTC124G, DTC144G, DTC115G, DTD114G.

ELECTRICAL CHARACTERISTICS: 500 mA Series

Table with 28 columns: PART NUMBER, Vin(off) Max/Vce/Vc, Vin(on) Min/Vce/Vc, Vo(on) TYP/Max/Ic/Ib, Ib Max/Vin, Ic(OFF) Max/Vce/Vin, Vce(SAT) Max/Ic/Ib, Cob @ F=1MHz TYP/Max/Vcb/Ic, CUT-OFF FREQ ft/Vce/Ic. Rows include DTD113E, DTD113Z, DTD114E, DTD123E, DTD143E, DTD123Y, DTD122J, DTD133H.

Table with 28 columns: PART NUMBER, Vin(off) Max/Vce/Vc, Vin(on) Min/Vce/Vc, Vo(on) TYP/Max/Ic/Ib, Ib Max/Vin, Ic(OFF) Max/Vce/Vin, Vce(SAT) Max/Ic/Ib, Cob @ F=1MHz TYP/Max/Vcb/Ic, CUT-OFF FREQ ft/Vce/Ic. Rows include DTD123T, DTD143T, DTD163T, DTD114T.

ELECTRICAL CHARACTERISTICS: 100 mA Series

PART NUMBER	TYP	RESISTOR VALUE		R2/R1			Ic Max (mA)	INPUT VOLT		hFE		Icbo		Icbo		PART MARK	DIE TYPE	EQUIVALENT CIRCUIT	
		R1 (K)	R2 (K)	Min	Typ	Max		Min (V)	Max (V)	Min (V)	Vce (V)	Ic (mA)	Max (uA)	Vcb (V)	Max (uA)				Vce (V)
DTC113Z	NPN	1.0	10.0	8	10	12	100	-10	5	33	5	5	0.5	50	0.5	50	E12/121	C776	
DTC114E	NPN	10.0	10.0	0.8	1	1.2	100	-40	10	30	5	5	0.5	50	0.5	50	24	C768	
DTC114W	NPN	10.0	4.7	0.37	0.47	0.57	100	-30	10	24	5	10	0.5	50	0.5	50	84	C778	
DTC114Y	NPN	10.0	47.0	3.7	4.7	5.7	100	-40	6	68	5	5	0.5	50	0.5	50	64	C762	
DTC115E	NPN	100.0	100.0	0.8	1	1.2	100	-40	10	82	5	5	0.5	50	0.5	50	29	D861	
DTC115U	NPN	100.0	10.0	0.08	0.1	0.12	100	-40	10	27	5	5	0.5	50	0.5	50	E89/189	D865	
DTC123E	NPN	2.2	2.2	0.8	1	1.2	100	-12	10	20	5	20	0.5	50	0.5	50	22	C733	
DTC123J	NPN	2.2	47.0	17	21	26	100	-12	5	80	5	10	0.5	50	0.5	50	E42/142	C774	
DTC123Y	NPN	2.2	10.0	3.6	4.5	5.5	100	-12	5	33	5	10	0.5	50	0.5	50	62	C777	
DTC124E	NPN	22.0	22.0	0.8	1	1.2	100	-40	10	56	5	5	0.5	50	0.5	50	25	C761	
DTC124X	NPN	22.0	47.0	1.7	2.1	2.6	100	-40	10	68	5	5	0.5	50	0.5	50	45	C770	
DTC143E	NPN	4.7	4.7	0.8	1	1.2	100	-30	10	20	5	10	0.5	50	0.5	50	23	C768	
DTC143X	NPN	4.7	10.0	1.7	2.1	2.6	100	-20	7	30	5	10	0.5	50	0.5	50	43	C769	
DTC143Y	NPN	4.7	22.0	3.7	4.7	5.7	100	-30	6	56	5	5	0.5	50	0.5	50	63	C785	
DTC143Z	NPN	4.7	47.0	8	10	12	100	-30	5	80	5	10	0.5	50	0.5	50	E23/123	C775	
DTC144E	NPN	47.0	47.0	0.8	1	1.2	100	-40	15	68	5	5	0.5	50	0.5	50	26	C782	
DTC144V	NPN	47.0	10.0	0.17	0.21	0.26	100	-	-	33	5	5	0.5	50	0.5	50	E66/166	C774	
DTC144W	NPN	47.0	22.0	0.37	0.47	0.57	100	-40	10	56	5	5	0.5	50	0.5	50	86	C767	
DTC214Y	NPN	10	47	3.7	4.7	5.7	100	-40	6	68	5	5	0.5	50	0.5	50	N24	C762	
DTC1D3R	NPN	2.7	1.0	0.33	0.37	0.41	100	-15	15	20	5	30	0.5	50	0.5	50	K4B	C784	

PART NUMBER	TYP	RESISTOR VALUE		Vcbo Max (V)	Vceo Max (V)	Vebo Max (V)	Ic Max (mA)	hFE		Icbo		Icbo		PART MARK	DIE TYPE	EQUIVALENT CIRCUIT			
		R1 (K)	R2 (K)					Min	Typ	Max	Vce (V)	Ic (mA)	Max (uA)				Vcb (V)	Max (uA)	Veb (V)
DTC143T	NPN	4.7	NONE	50	50	5	100	100	250	600	5	1	0.5	50	0.5	4	3	C764	
DTC114T	NPN	10.0	NONE	50	50	5	100	100	250	600	5	1	0.5	50	0.5	4	4	C785	
DTC124T	NPN	22.0	NONE	50	50	5	100	100	250	600	5	1	0.5	50	0.5	4	5	C771	
DTC144T	NPN	47.0	NONE	50	50	5	100	100	250	600	5	1	0.5	50	0.5	4	6	C772	
DTC115T	NPN	100.0	NONE	50	50	5	100	100	250	600	5	1	0.5	50	0.5	4	9	D864	
DTC125T	NPN	200.0	NONE	50	50	5	100	100	250	600	5	1	0.5	50	0.5	4	0A	D863	
DTC113T	NPN	1.0	NONE	50	50	5	100	100	250	600	5	1	0.5	50	0.5	4	1	C786	

PART NUMBER	TYP	RESISTOR VALUE		Vcbo Max (V)	Vceo Max (V)	Vebo Max (V)	Ic Max (mA)	hFE		Icbo		Icbo		PART MARK	DIE TYPE	EQUIVALENT CIRCUIT			
		R1 (K)	R2 (K)					Min	Typ	Max	Vce (V)	Ic (mA)	Max (uA)				Vcb (V)	Max (uA)	Veb (V)
DTC114G	NPN	0	10.0	50	50	5	100	30	-	-	5	5	0.5	50	580	4	K24	C780	
DTC124G	NPN	0	22.0	50	50	5	100	56	-	-	5	5	0.5	50	260	4	K25	C781	
DTC144G	NPN	0	47.0	50	50	5	100	68	-	-	5	5	0.5	50	130	4	K26	C782	
DTC115G	NPN	0	100.0	50	50	5	100	82	-	-	5	5	0.5	50	58	4	K29	D862	
DTD114G	NPN	0	10.0	50	50	5	500	56	-	-	5	100	0.5	50	0.5	4	L24	D726	

ELECTRICAL CHARACTERISTICS: 500 mA Series

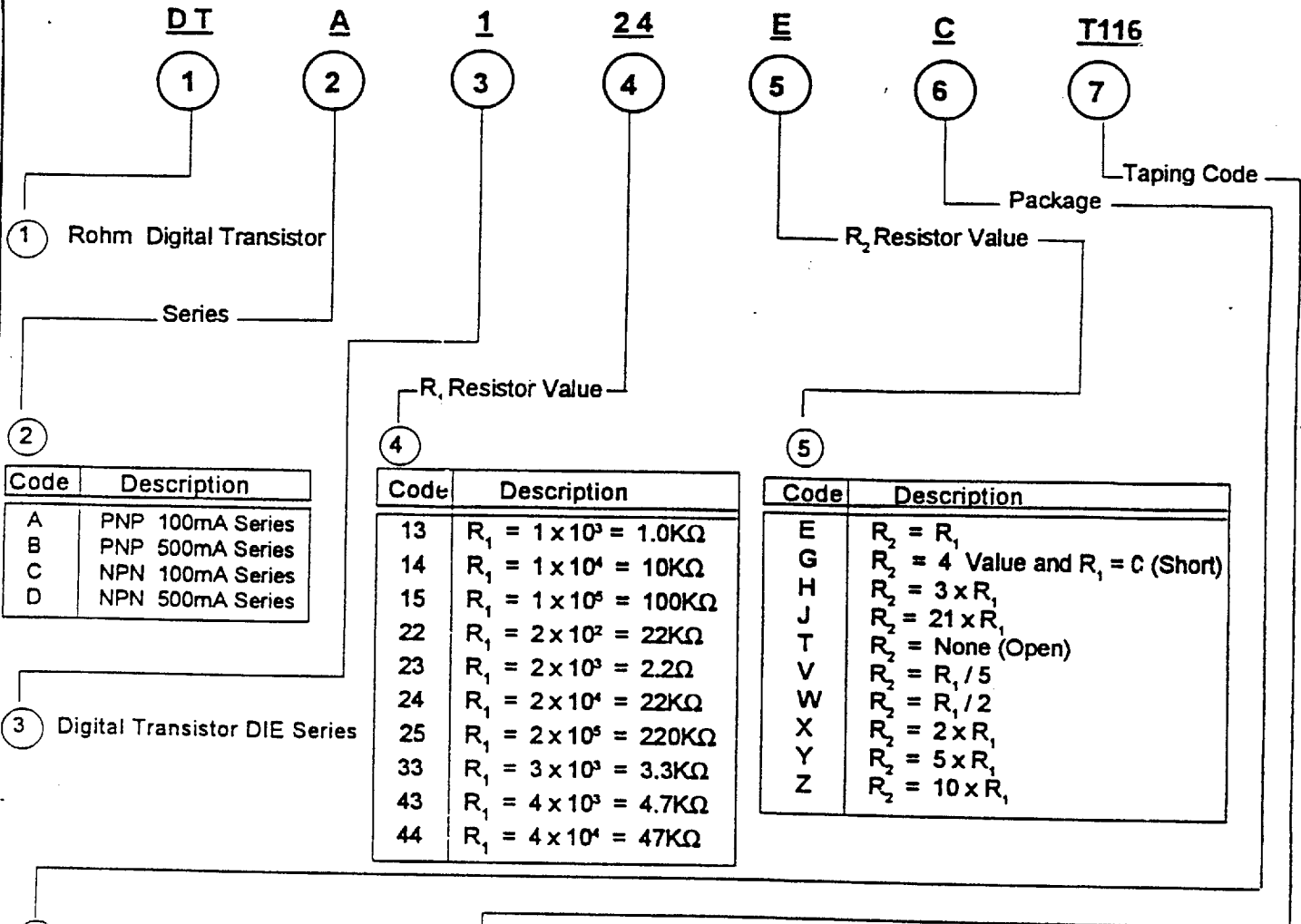
PART NUMBER	TYP	RESISTOR VALUE		Vcbo Max (V)	Vceo Max (V)	Vebo Max (V)	Ic Max (mA)	INPUT VOLT		hFE		Icbo		Icbo		PART MARK	DIE TYPE	EQUIVALENT CIRCUIT	
		R1 (K)	R2 (K)					Min	Typ	Max	Min (V)	Max (V)	Min (V)	Vce (V)	Ic (mA)				Max (uA)
DTD113E	NPN	1.0	1.0	0.8	1	1.2	500	-10	10	33	5	50	0.5	50	0.5	50	F21	D717	
DTD113Z	NPN	1.0	10.0	8	10	12	500	-10	5	56	5	50	0.5	50	0.5	50	G21	D718	
DTD114E	NPN	10.0	10.0	0.8	1	1.2	500	-40	10	56	5	50	0.5	50	0.5	50	F24	D714	
DTD123E	NPN	2.2	2.2	0.8	1	1.2	500	-12	10	39	5	50	0.5	50	0.5	50	F22	D712	
DTD143E	NPN	4.7	4.7	0.8	1	1.2	500	-30	10	47	5	50	0.5	50	0.5	50	F23	D713	
DTD123Y	NPN	2.2	10.0	3.6	4.5	5.5	500	-12	5	56	5	50	0.5	50	0.5	50	F62	D715	
DTD122J	NPN	0.22	4.7	17.1	21.3	25.6	500	-5	5	47	5	50	0.5	50	0.5	50	G4C	D725	
DTD133H	NPN	3.3	10.0	2.4	3	3.7	500	-20	6	56	5	50	0.5	50	0.5	50	G0B	D719	

PART NUMBER	TYP	RESISTOR VALUE		Vcbo Max (V)	Vceo Max (V)	Vebo Max (V)	Ic Max (mA)	hFE		Icbo		Icbo		PART MARK	DIE TYPE	EQUIVALENT CIRCUIT			
		R1 (K)	R2 (K)					Min	Typ	Max	Vce (V)	Ic (mA)	Max (uA)				Vcb (V)	Max (uA)	Veb (V)
DTD123T	NPN	2.2	NONE	50	50	5	500	100	250	600	5	50	0.5	50	0.5	4	E02	D723	
DTD143T	NPN	4.7	NONE	50	50	5	500	100	250	600	5	50	0.5	50	0.5	4	F13	D720	
DTD163T	NPN	6.8	NONE	50	50	5	500	100	250	600	5	50	0.5	50	0.5	4	E07	D721	
DTD114T	NPN	10.0	NONE	50	50	5	500	100	250	600	5	50	0.5	50	0.5	4	E04	D722	

6

• Digital Transistors

HOW TO ORDER:



Code	Description
A	PNP 100mA Series
B	PNP 500mA Series
C	NPN 100mA Series
D	NPN 500mA Series

Code	Description
13	R <sub>1</sub> = 1 × 10 <sup>3</sup> = 1.0KΩ
14	R <sub>1</sub> = 1 × 10 <sup>4</sup> = 10KΩ
15	R <sub>1</sub> = 1 × 10 <sup>5</sup> = 100KΩ
22	R <sub>1</sub> = 2 × 10 <sup>2</sup> = 22KΩ
23	R <sub>1</sub> = 2 × 10 <sup>3</sup> = 2.2KΩ
24	R <sub>1</sub> = 2 × 10 <sup>4</sup> = 22KΩ
25	R <sub>1</sub> = 2 × 10 <sup>5</sup> = 220KΩ
33	R <sub>1</sub> = 3 × 10 <sup>3</sup> = 3.3KΩ
43	R <sub>1</sub> = 4 × 10 <sup>3</sup> = 4.7KΩ
44	R <sub>1</sub> = 4 × 10 <sup>4</sup> = 47KΩ

Code	Description
E	R <sub>2</sub> = R <sub>1</sub>
G	R <sub>2</sub> = 4 Value and R <sub>1</sub> = C (Short)
H	R <sub>2</sub> = 3 × R <sub>1</sub>
J	R <sub>2</sub> = 21 × R <sub>1</sub>
T	R <sub>2</sub> = None (Open)
V	R <sub>2</sub> = R <sub>1</sub> / 5
W	R <sub>2</sub> = R <sub>1</sub> / 2
X	R <sub>2</sub> = 2 × R <sub>1</sub>
Y	R <sub>2</sub> = 5 × R <sub>1</sub>
Z	R <sub>2</sub> = 10 × R <sub>1</sub>

	PKG	DESCRIPTION	TAPING CODE	DESCRIPTION	PKG. QTY.	PACKAGE SIZE
SURFACE MOUNT	K	SMT (SC-59/JAPANESE SOT-23)	* T146	1 PIN SIDE ON FEED HOLE SIDE	3,000	178mm/7" Reel
			* T147	2 PIN SIDE ON FEED HOLE SIDE	3,000	178mm/7" Reel
			* T246	1 PIN SIDE ON FEED HOLE SIDE	10,000	330mm/13" Reel
	C	SST (EUROPEAN SOT-23)	* T116	1 PIN SIDE ON FEED HOLE SIDE	3,000	178mm/7" Reel
			* T117 * T216	2 PIN SIDE ON FEED HOLE SIDE 1 PIN SIDE ON FEED HOLE SIDE	3,000 10,000	178mm/7" Reel 330 mm/13" Reel
U	UMT (DTA & DTC ONLY)	* T106	1 PIN SIDE ON FEED HOLE SIDE	3,000	178 mm/7" Reel	
		T107	2 PIN SIDE ON FEED HOLE SIDE	3,000	178 mm/7" Reel	
E	EM3 (DTA & DTC ONLY)	* TL	1 PIN SIDE ON FEED HOLE SIDE	3,000	178 mm/7" Reel	
		TR	2 PIN SIDE ON FEED HOLE SIDE	3,000	178 mm/7" Reel	
LEADED DEVICES	S	SPT (Short TO-92)	* TP NONE	AMMO BOX RADIAL BULK	5,000 2,000	W-335/H-135/D-40(mm) Polyethylene Bag
	V	ATV	* TV2	AMMO BOX RADIAL	2,500	W-334/H-280/D-41(mm)
			TV3	AMMO BOX RADIAL	2,500	W-334/H-280/D-41(mm)
	L	FTL	* TL2	AMMO BOX RADIAL	2,500	W-334/H-280/D-41(mm)
			TL3	AMMO BOX RADIAL	2,500	W-334/H-280/D-41(mm)
	F	FTR	* NONE C1	BULK TUBE	2,000 8,000	Polyethylene Bag L-565/W-4.2/H-11.5(mm)
A	ATR	* NONE C2	BULK TUBE	2,000 8,000	Polyethylene Bag L-565/W-4.2/H-12.6(mm)	

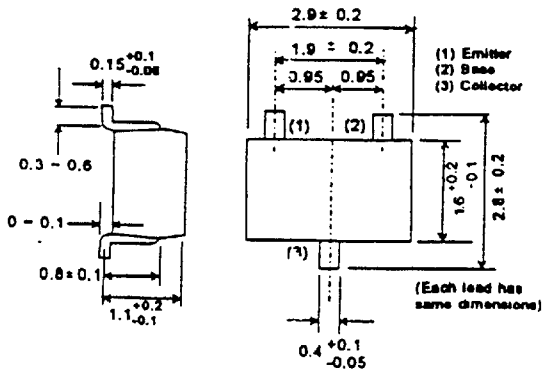
Note: SOT-23, SC-59 and SPT packages are standard products.

\* Standard Taping Codes

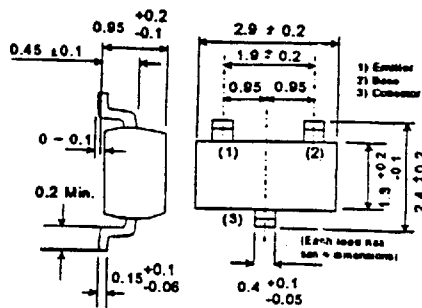
ROHM CORPORATION, Rohm Electronics Division, 3034 Owen Dr., Antioch, TN 37013 (615)641-2020 FAX (615)641-2022

78288700 6669282

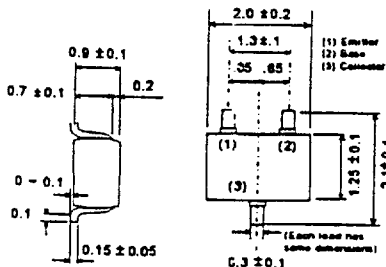
• Surface Mount Packages: Unit (mm)



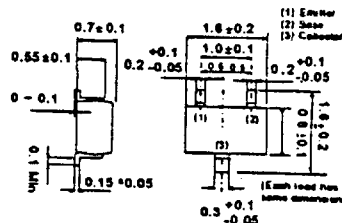
SMT (SC-59/Japanese SOT-23)



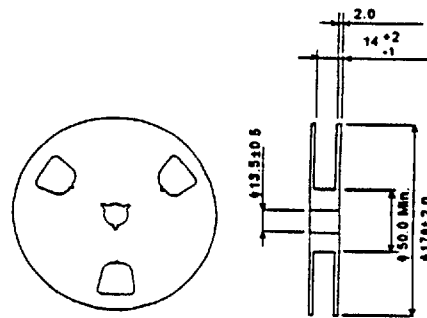
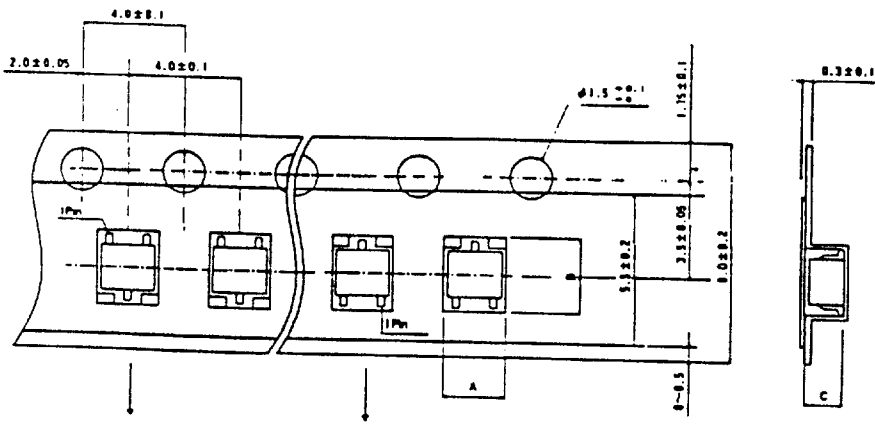
SST (European SOT-23)



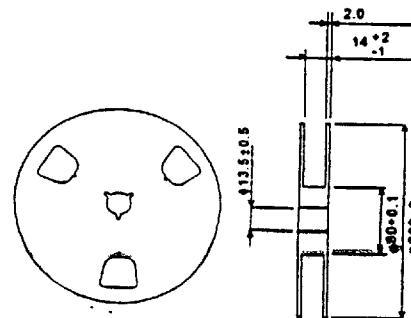
UMT



EM3



178 mm/7" Reel



330 mm/13" Reel

Package	Code
SMT	T147
SST	T117
UMT	T107
EM3	TR

Package	Code
SMT	T146/T246
SST	T116/T216
UMT	T106/T206
EM3	TL

Package	Size		
	A	B	C
SMT	3.1±0.2	3.2±0.2	1.35±0.1
SST	3.1±0.2	2.8±0.2	1.25±0.2
UMT	2.2±0.1	2.4±0.1	1.15±0.1
EM3	1.8±0.1	1.8±0.2	0.9±0.2

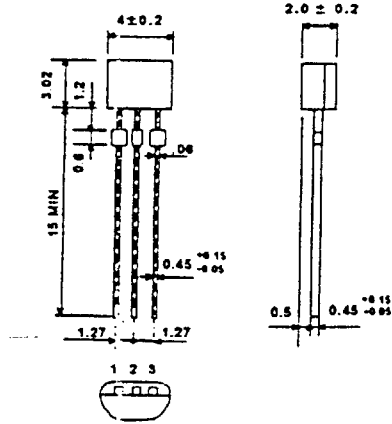
Tape and Reel Dimensions

ROHM CORPORATION, Rohm Electronics Division, 3034 Owen Dr., Antioch, TN 37013 (615)641-2020 FAX (615)641-2022

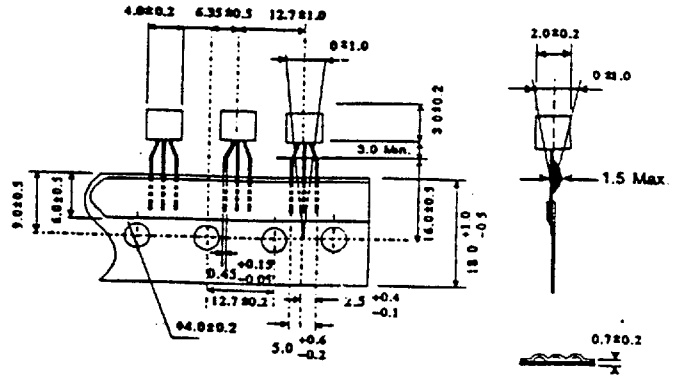
747 2954100 6668282



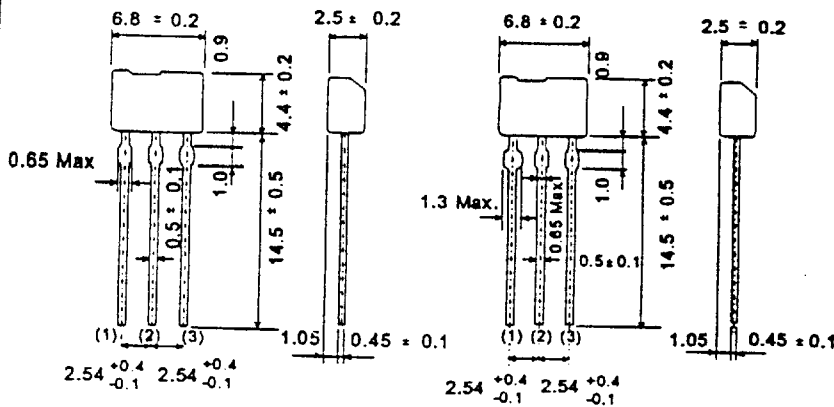
Leaded (thru-hole) Packages



SPT(TO-92S) Package

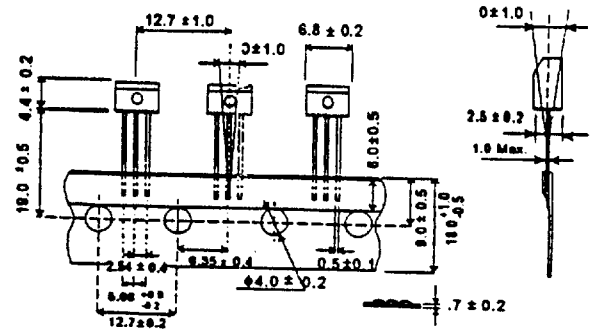


Ammo Box Taping Dimensions

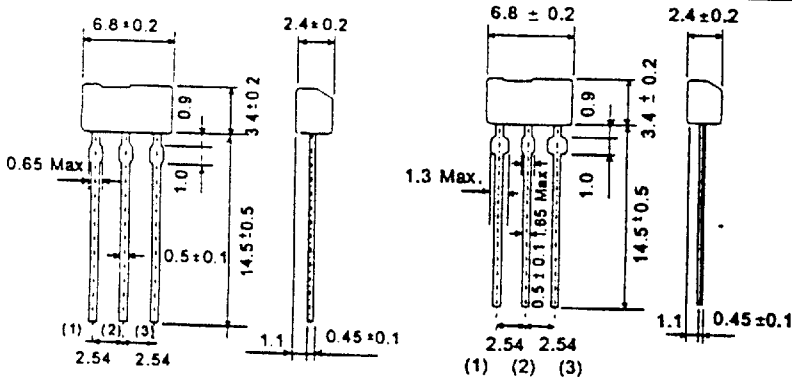


ATV(TV2 Style) Package

ATV(TV3 Style) Package

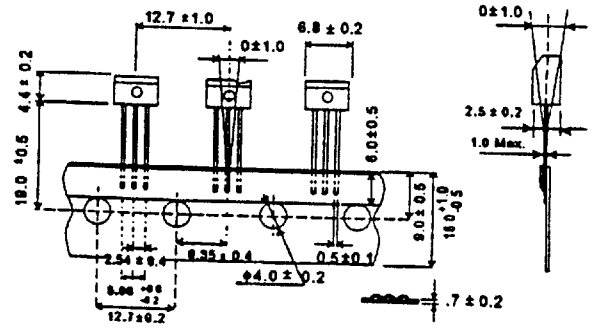


Ammo Box Taping Dimensions

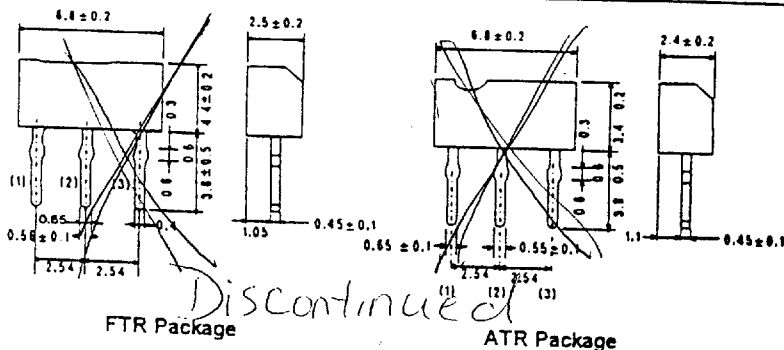


FTL(TL2 Style) Package

FTL(TL3 Style) Package



Ammo Box Taping Dimensions



FTR Package

ATR Package

PKG.	TAPING CODE	DESCRIPTION	PKG. QTY.
SPT(TO-92S)	TP	AMMO BOX RADIAL (Standard)	5,000
	NONE	BULK	2,000
ATV	TV2	AMMO BOX RADIAL (Standard)	2,500
	TV3	AMMO BOX RADIAL	2,500
FTL	TL2	AMMO BOX RADIAL (Standard)	2,500
	TL3	AMMO BOX RADIAL	2,500
FTR	NONE	BULK (Standard)	2,000
ATR	NONE	BULK (Standard)	2,000
	TP	TUBE	8,000

*Discontinued*

989 E954T00 6660207