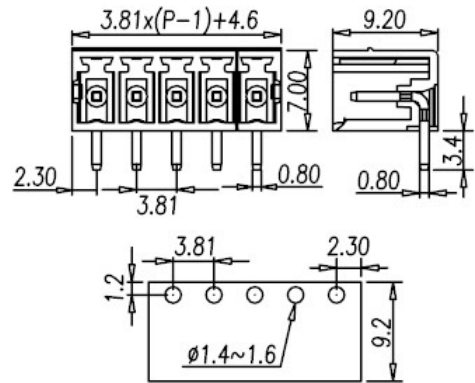
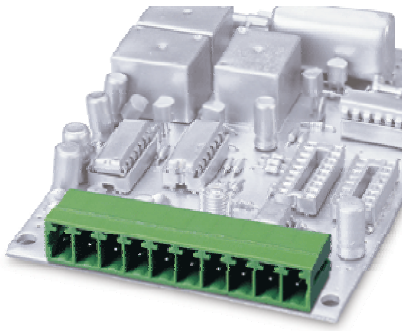



## Pluggable / Headers(Sockets) for Pluggable / ECH381R



### Specification/Accessory explanation

Pitch 3.81

Approval		
Technical Data	UL	IEC
Rated voltage	300V	125V
Rated current	8A	8A
Wire range		
Solid wire (AWG)		
Stranded wire (AWG)		
Insulation withstand voltage	1.5 KV	
Torque (Lb-in)		
Screw		
Wire strip length		
<b>Pole</b>	<b>Cat.no.</b>	
02	ECH381R-02P	
03	ECH381R-03P	
04	ECH381R-04P	
:	:	
:	:	
22	ECH381R-22P	
23	ECH381R-23R	
24	ECH381R-24R	

Accessory name	Accessory type	Accessory name	Accessory type
----------------	----------------	----------------	----------------