

SOLDERLESS BREADBOARD: POM PLASTIC/ ROUND HOLE/ EIC-15010

Body material : EIC Brand, POM plastic

Surface : Unprinted

Heat distortion temperature : 150°C

Terminal holes : 170 holes

RoHS Compliance

Spring clip contact : Phosphor Bronze

Finish : Nickel plated

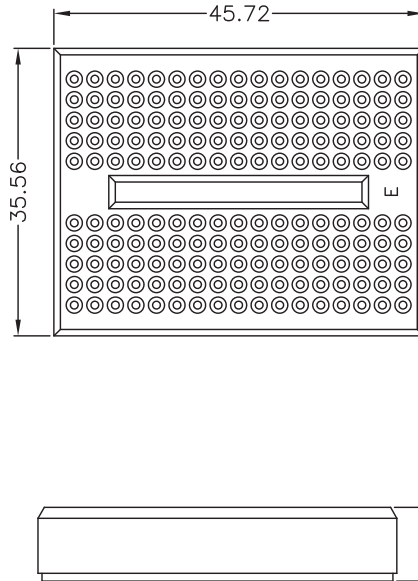
Contact life : 50,000 times

Insertion range : 0.4~0.7mm diameter

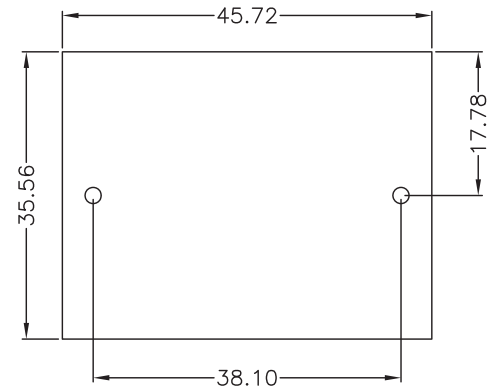
E.I.C. blister card package

Combines additional boards for larger breadboard available

OEM & Own design is welcome



**** WITH 2 PCS SCREWS ****



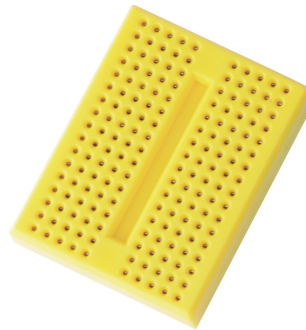
Color options:



WHITE



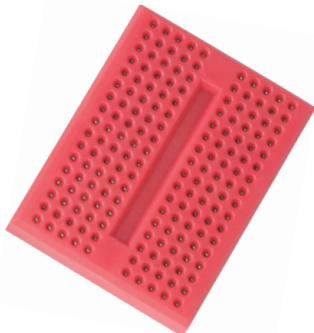
BLACK



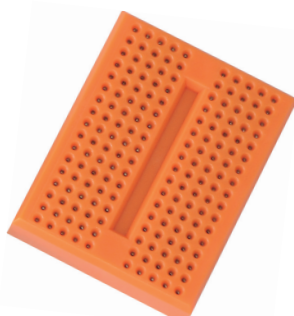
YELLOW



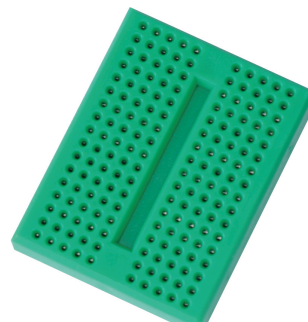
TRANSPARENT (ABS)



RED



ORANGE



GREEN



BLUE