



FOR APPROVAL

承认书

产品名称/Type	LED 驱动器	
产品型号/Model	EIP012C0350LS	
产品编码/ Product code:	DW012C3700	
输入电压/Input voltage	<input type="checkbox"/> 100-120VAC <input checked="" type="checkbox"/> 220-240VAC <input type="checkbox"/> 100-240VAC <input type="checkbox"/> 其他 VAC	
输出模式/Out type	<input checked="" type="checkbox"/> 恒流/C.C <input type="checkbox"/> 恒压/C.V	
绝缘等级/Insulation	<input type="checkbox"/> Class I <input checked="" type="checkbox"/> Class II	
防护等级/IP Grade	<input checked="" type="checkbox"/> IP20 <input type="checkbox"/> IP65 <input type="checkbox"/> IP____	
安装方式/Installation	<input checked="" type="checkbox"/> 独立式/Independent <input type="checkbox"/> 内装式/build-in <input type="checkbox"/> 插墙式/Plug-in	
RoHS	符合欧盟 RoHS 要求 Conform to RoHS	
客户/CUSTOMER		
客户编号/ Customer part NO.		
客户认可回签(章) AUTHORIZED SIGNATURE &COMPANY CHOP		
编制/Drew up by:	吕宾	日期 Date 2012.06.15
批准/Approved by:	熊川高	日期 Date 2012.06.15

EAGLERISE ELECTRIC & ELECTRONIC (CHINA) CO., LTD.

Add: Gui cheng Sci-Tech Industrial Park, Jian ping Road, Nan hai District, Fo shan City, Guang dong Province, P.R. China

Tel: (0757) 86256767 Fax: (0757) 86256780

DZ-YF3-002-02D

一. KEY FEATURES (产品特点)

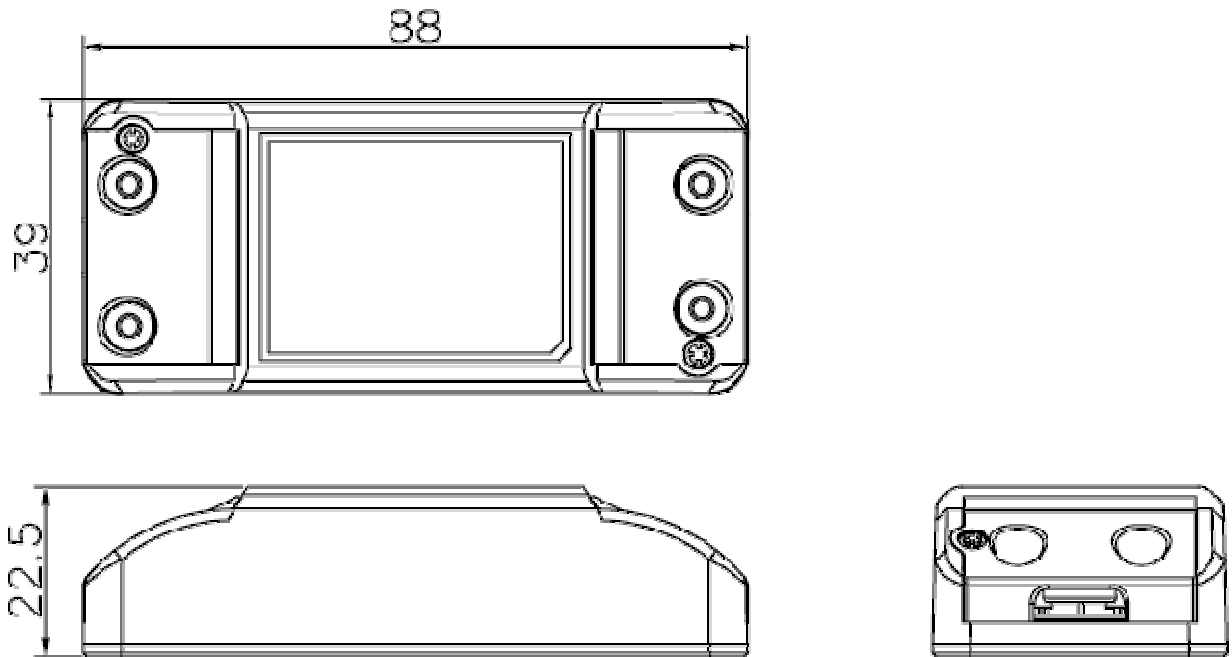
<p>▲ Input(220-240VAC) (输入电压 220-240V)</p> <p>▲ Protections: short circuit/over load/over voltage/over temperature (保护功能: 短路/输出过载/输出过压/过温)</p> <p>▲ IP20 Ingress protection (IP20 防护等级)</p> <p>▲ Power Factor (功率因数) PF\geq0.8</p> <p>▲ Efficiency (效率) \geq83%</p>	<p>Picture(产品图片)</p> 
---	---

二. ELECTRICAL SPECIFICATIONS (电气规格)

类别	Item 项目	Technical Norm 技术指标
Input (输入特性)	Rated input voltage(额定输入电压范围)	220-240VAC
	Range of input voltage (输入电压范围)	176-264VAC
	Frequency(Hz) (输入频率范围)	50/60 Hz
	Power Factor(功率因素)	PF \geq 0.8 @Full Load ,230VAC
	Current (输入电流)	0.09A MAX.
	Inrush Current (涌入电流)	10A MAX.(230VAC)
	Unload Power Consumption(空载功耗)	\leq 0.3W
Output (输出特性)	Unload voltage (空载电压)	40VDC MAX.
	Constant current (恒流)	350mA
	Current Accuracy (电流精度)	\pm 5%
	start-up time (启动时间)	<1S
	Load Voltage rang (负载电压范围)	17-34V
	Recommend maximum numbers of LED in series (建议串联最大灯数量)	10PCS(Vf \leq 3.4V)
	Load power range(负载功率范围)	6-12W
	Voltage Regulation(电压调整率)	\leq 5%
	Load Regulation(负载调整率)	\leq 5%
	Efficiency (效率)	\geq 83%
Current Ripple (电流纹波)	<100mAp-p	
Dimming (调光)	Dimmable (调光)	NA
	Dimming mode(调光模式)	NA
Protection (保护特性)	Over load protection	Protection type: Auto Resume(保护类型: 自动恢复)
	Short circuit Protection(短路)	Protection type: Auto Resume(保护类型: 自动恢复)
	Over Temperature protection (过温)	Protection type: Auto Resume(保护类型: 自动恢复)
Hi-pot (耐压)	Input-Output(V.AC)(输入-输出)	3750V/5mA/1min
	Leakage Current (泄漏电流)	<0.5mA
Isolation resistance (绝)	Input-Output: >4M Ω	

缘阻抗)		
Environment/ Life span (环境特性/寿命)	Operating Temperature(工作温度)	-5℃...+50℃
	Storage Temperature(存储温度)	-10℃...+60℃
	Humidity(湿度)	10%-90%RH
	Life time	>30,000h @25℃
feature (特征)	Dimension (尺寸)(LXWXH)	88X39X22.5(LXWXH)mm
	Weight(重量)	
Safety & EMC (安规与电磁兼容)	Approval (认证)	CE SEMKO
	Safety standards (安全标准)	EN 61347-1; EN61347-2-13 EN60598-1; EN60598-2-6
	EMC standards (电磁兼容性标准)	EN55015; EN61547 EN61000-3-2; EN61000-3-3
Note (备注)	<p>1:All parameters , if not specified, are measured at 230VAC rated input and 25℃ ambient temperature (所有的参数无特别说明的都是在额定的输入交流 230V 和 25℃ 的环境温度下测得.</p> <p>2. The Accuracy is the total Accuracy which Comprises the Line Regulation ,Load Regulation and Error (此精度包含了电压调整率、负载调整率以及设计误差)</p>	

三. MECHANICAL SPECIFICATIONS (机械规格)



四、DESCRIPTIONS OF CHANGE (变更描述)

变更项目 ITEM	变更前 BEFORE	变更后 AFTER	版本 Version	变更日期 DATE