

ELP3X1LS

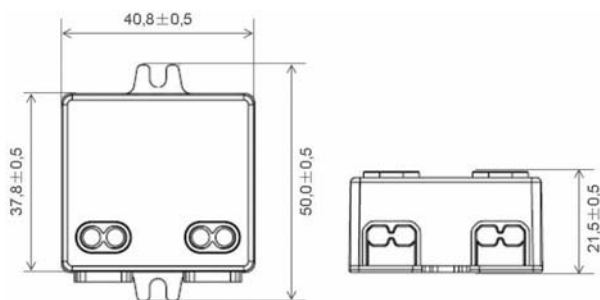
Elektronic LED Power Supply
Drive 1...3 x 1,2W/350mA LED
IP20



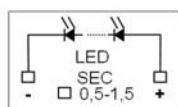
I. Technical Data

General	
Input voltage:	220...240V AC
Input current:	0,1A
Frequency:	50/60Hz
Output current:	350mA
Output voltage:	3V...10,5V DC
Load:	1...3 X 1,2W/350mA LED
Power factor:	≥ 0,45 (@45°C with full load)
Efficiency:	≥ 65% (@full load))
No-load loss:	≤ 0,3W
Reliability (MTBF):	≥30000 hours (@25°C with full load)
Ambient temperature (Ta):	-20°C...45°C
Surface temperature (Tc):	max. 80°C
Dimmable:	No
Safety and Protection	
Protection class:	IP20
Isolation class:	Class II, SELV
Over temperature protection:	integrated, automatic resettable after temperature descending
Short circuit protection:	integrated, automatic resettable after temperature descending
Isolation voltage:	3750V AC / 5mA / 1min
Normen und Approval	
Safety Norm:	EN61347-2-13:2006, EN61347-1:2001, EN60598-1:2004+A1:2006
LVD Norm:	Low voltage Directive 2006/95/EC
EMC Norm:	EN55015:2006, EN61547:1995+A1:2000 EN61000-3-2:2006, EN61000-3-3:1995+A1:2001+A2:2005
Approval:	INTERTEK SEMKO
CE Marking:	Yes
RoHS compatible:	Yes

II. Construction



Drawing for input

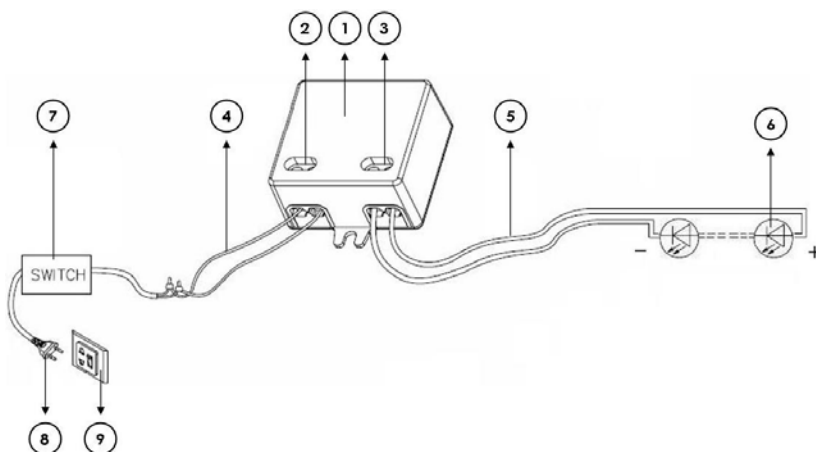


Drawing for output

Dimension	
Overall (LxBxH):	38 x 41 x 21,5mm
Fixture:	Fixing with 2 x 2M screw
Output drawing	
+	Positive output
-	Negative output
Diameter of cable:	0,5...1,5mm
Input drawing	
L:	Live line
N:	Null line
Input voltage:	220...240V AC
Diameter of cable:	0,5...0,75mm

Unit: mm

III. Installation



Through the two holes of the housing to screw the input cable and output cable on the connectors according to the above installation drawing. Two fixture lugs of housing bottom can be used for fixing the device.



DANGER! Don't work with connecting electric power! The components in this device may have deadly voltage und high stored energy! All installation works must be performed with specialized personnell!

Components	
1	LED driver / device body
2	Hole for screwing input cable on connector
3	Hole for screwing output cable on connector
4*	Input cable
5*	Output cable (max. 2m)
6*	1...3 x 1,2W/350mA LED
7*	Electric power source (220...240V AC)
8*	Input plug

* not inclusive in the product packing