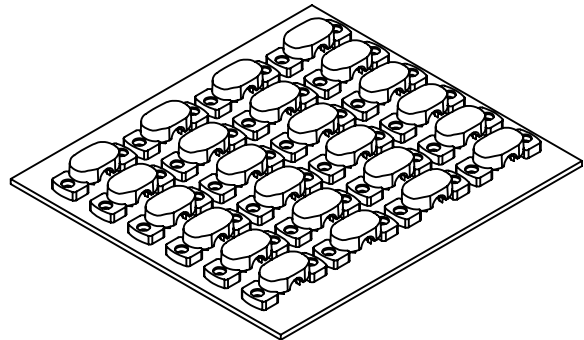


Solid-State Lighting Series

Street Lighting Module Datasheet

EDIS Street Lighting Module uses 24 high brightness LEDs. With specially designed elliptical lens, each EDIS Street Lighting Module can be assembled upto 6 pcs, suitable in application such as 4~12m road lamp.



Introducing LED Module for Street Lighting :

- Light weight easy assembly
- Design-in quick expansion
- Elliptical Light Distribution
- Color : ○ ● ●

Table of Contents

- Dimensions..... 2
- Absolute Maximum Ratings and Assembly Instructions.....2
- Illuminance and Beam Angles..... 3
- Specifications..... 3
- Recommended Drivers..... 4
- Application Notes..... 5

Dimensions

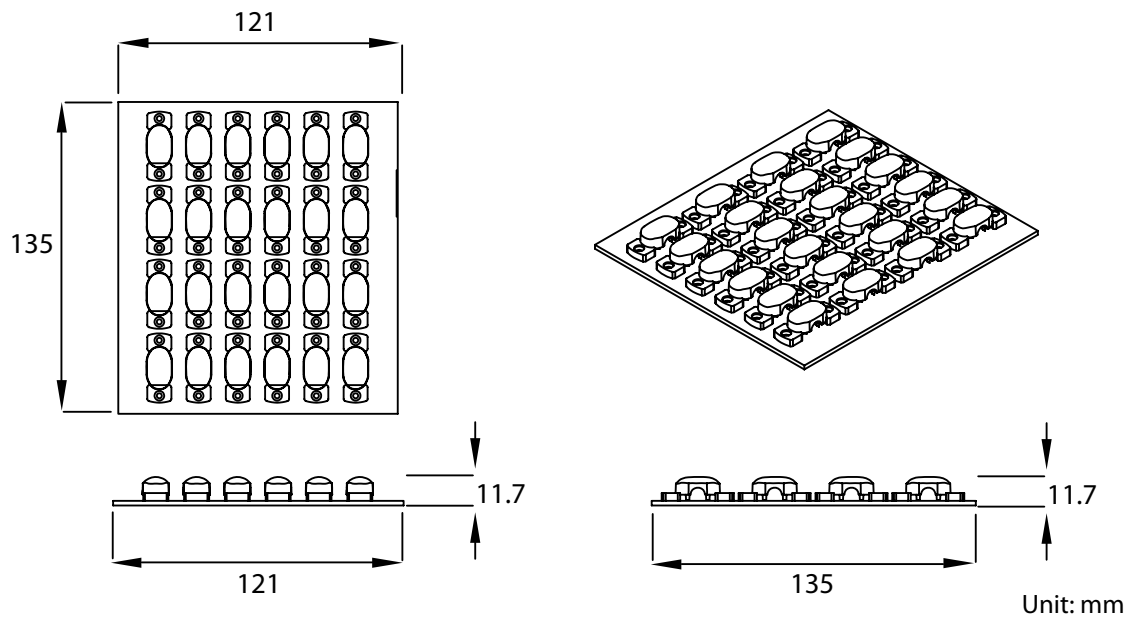


Figure 1: Street Lighting Module Dimensions

Absolute Maximum Ratings

Dimension	135(L) x 121(W) x 11.7(H) mm
Light Source	Edixeon® x 24 pcs
Total Flux(Typ.)	Cool White (6500K) : 1,800 lm
	Warm White (4000K) : 1,680 lm
	Neutral White (3000K) : 1,320 lm
Total Power	27W

Table 1: Street Lighting Module Absolute Maximum Ratings

Assembly Instructions

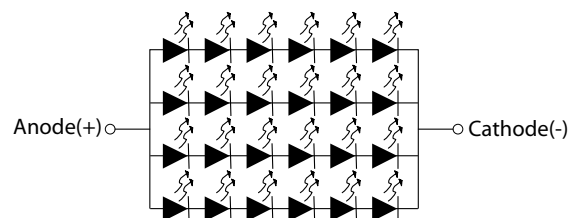


Figure 2: Street Lighting Module Assembly Instruction

Illuminance and Beam Angles

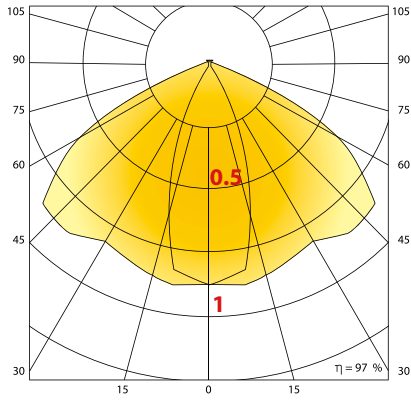


Figure 3: Street Lighting Module Illuminance and Beam Angles

Specifications

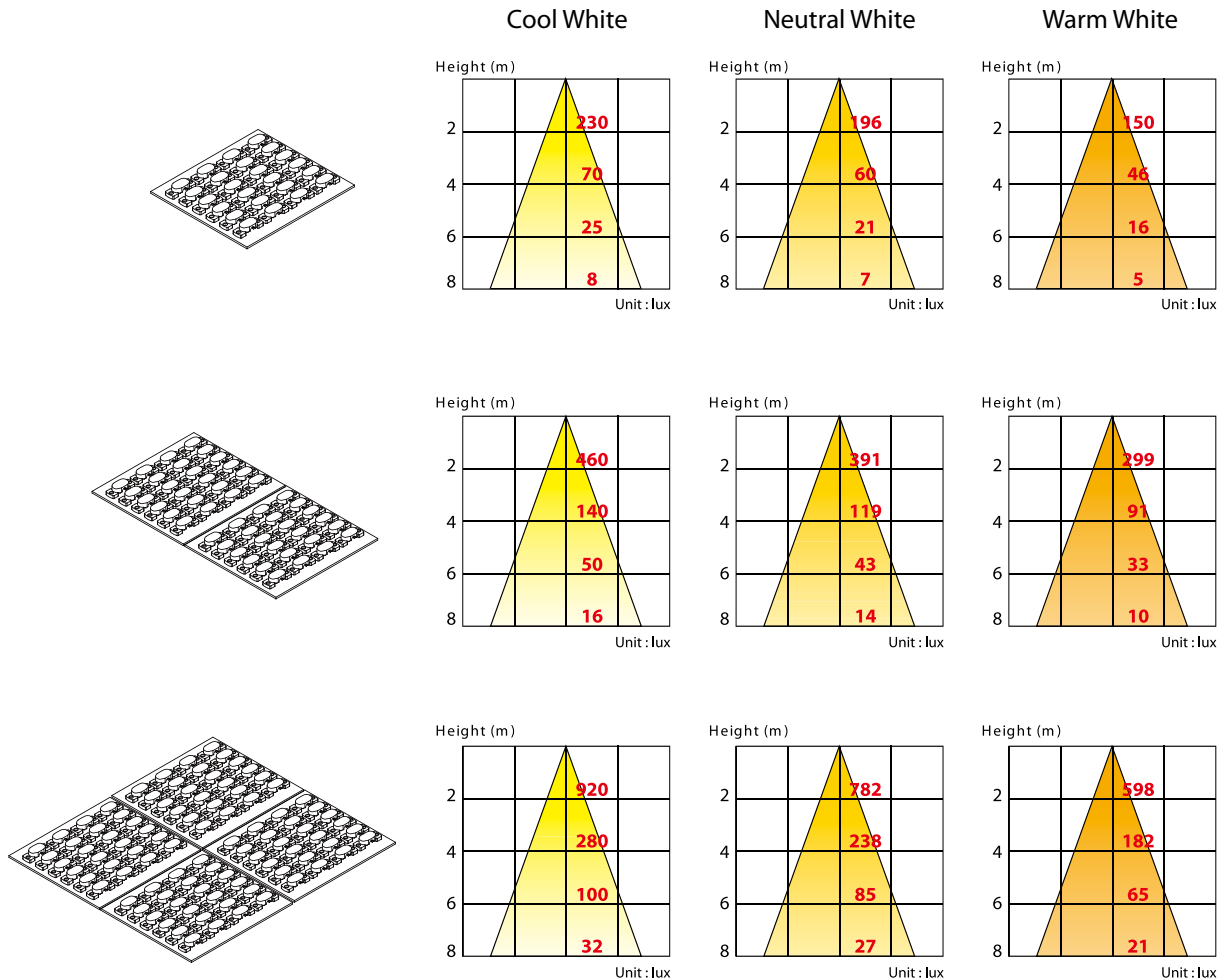
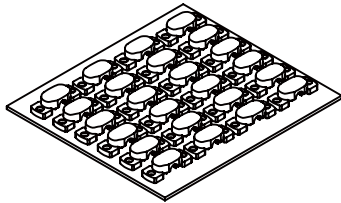


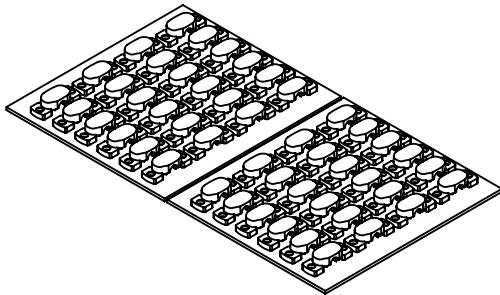
Figure 4: Street Lighting Module Specifications

Recommended Drivers



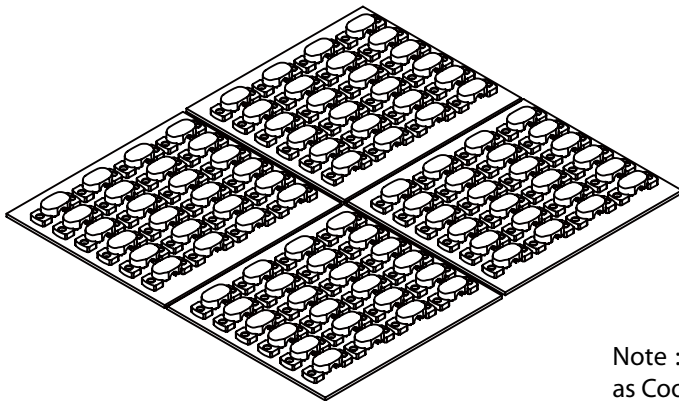
Drivers for EMPx-A51J09G-24KZ x 1 set

Weight	< 150 g
Const . Current Driver	1.4A / 27W



Drivers for EMPx-A51J09G-24KZ x 2 set

Weight	< 300 g
Const . Current Driver	2.8A / 54W



Drivers for EMPx-A51J09G-24KZ x 4 set

Weight	< 600 g
Const . Current Driver	5.6A / 108W

Note : A small letter "x" means different colors, such as Cool White(W), Neutral White(H), Warm White(X).

Figure 5: Street Lighting Module Recommended Drivers

Application Notes

Part No.	EMPW-A51J09G-24KZ
Road Length	143.5 m
No. of pole	14
Installation height (1)	8.0 m
Extended length (2)	1.5 m
Tilted Angle (3)	15°
Arm Length (4)	2.0 m

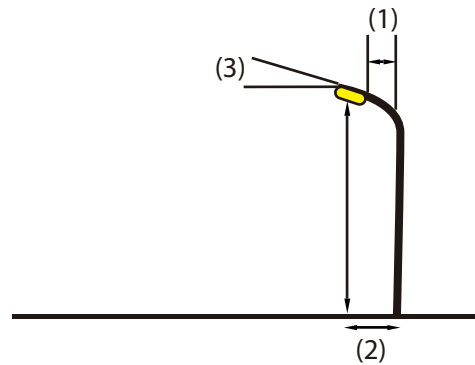
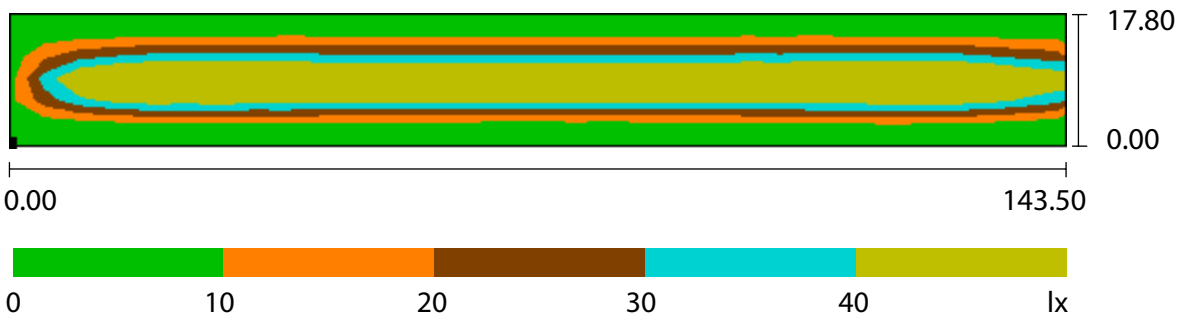


Table 2: Street Lighting Module Application



16.32	1.31	2.39	1.7	2.49	3.19	3.31	3.8	3.39	4.04	3.36	4.16	3.33	4.19	3.34	4.13
13.35	5.61	9.55	10	13	14	13	16	13	16	12	16	12	16	11	16
10.38	17	42	47	53	52	49	57	49	58	46	58	44	59	43	59
7.417	23	57	66	72	74	70	75	70	78	63	80	61	82	60	82
4.45	9.45	11	15	18	19	18	19	17	19	15	18	14	17	15	16
1.483	0.59	1.65	1.32	2.38	2.81	2.18	3.32	1.87	3.61	1.85	3.77	1.84	3.85	1.84	3.87
m	2.392	7.175	11.96	16.74	21.53	26.31	31.09	35.88	40.66	45.44	50.23	55.01	59.79	64.58	69.36

3.34	4.17	3.34	4.19	3.32	4.12	3.39	3.98	3.42	3.7	3.32	3.07	2.65	1.71	2.4
11	16	11	16	12	16	12	16	13	15	14	14	13	10	9.9
43	59	44	59	45	58	47	57	50	56	53	54	54	46	43
60	82	60	81	62	79	65	77	68	75	71	73	73	64	58
15	17	14	18	14	18	16	19	17	20	19	19	19	15	11
1.84	3.87	1.84	3.83	1.84	3.71	1.87	3.5	1.89	3.17	2.43	2.63	2.58	1.12	1.69
74.14	78.93	83.71	88.49	93.28	98.06	102.8	107.6	112.4	117.2	122	126.8	131.5	136.3	141.1

Table 3: Street Lighting Module Application



Figure 6: Street Lighting Module Application