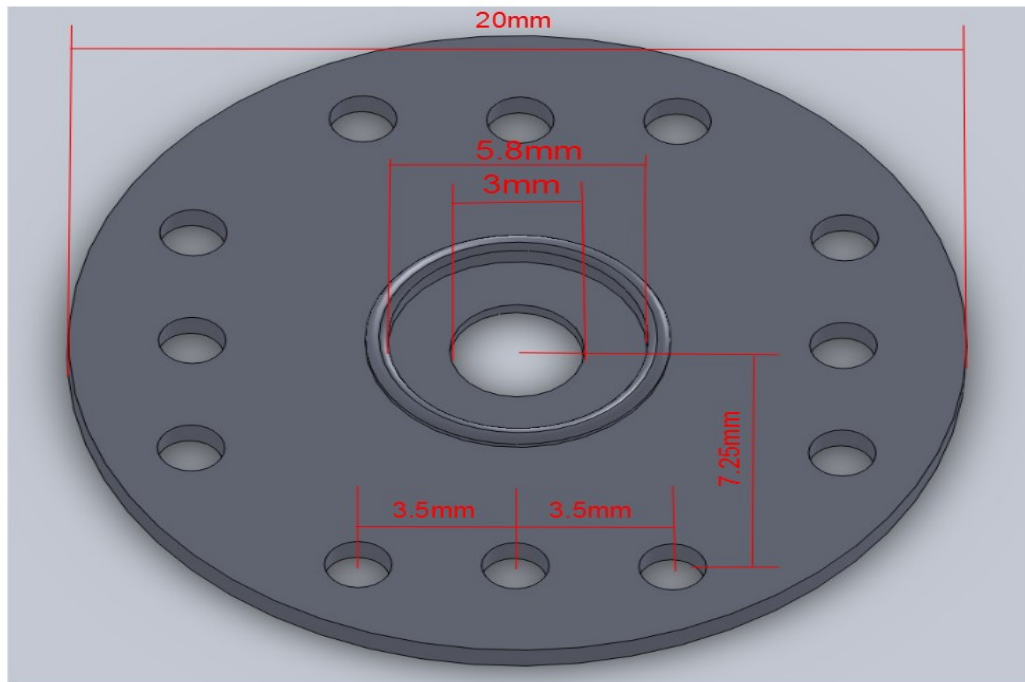


# Plastic Servo Horn

Brand: **DFRobot**  
Product Code: FIT0036



## Introduction

This is a high quality plastic servo horn. It fits DF series servos. Made specifically for DF series servos.

## Specifications

- Outside diameter: 20mm
- Center hole diameter: 3mm
- Mounting holes: 1.5mm

## Shipping list

- Plastic servo horn x1