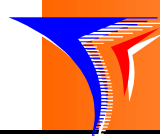


BIG LED Lamps



NINGBO FORYARD OPTOELECTRONICS CO., LTD.

20mm Round Big LED Lamp

FYL-20003GD	FYL-20003GC
FYL-20003ED	FYL-20003EC
FYL-20003YD	FYL-20003YC
FYL-20003UGD	FYL-20003UGC
FYL-20003SRD	FYL-20003SRC
FYL-20003BD	FYL-20003BC

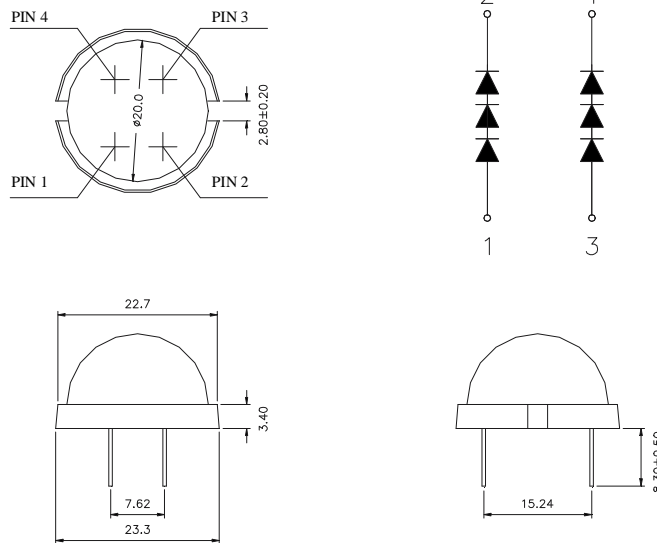
Features

- 4 PINS
- Water clear, or diffused, or transparent.
- Standard Intensity and Bright Intensity
- Low Power Consumption
- Popular T-1 Diameter Package
- IC Compatible/Low Current Capability
- Long Life-Solid State Reliability
- Easy Mounting On P.C.Board or Sockets

DESCRIPTION

G: GaP/GaP Green
E: GaAsP/GaP Orange
Y: GaAsP/GaP Yellow
UG: AlGaInP/Ultra Green
SR: GaAlAs/SH Super Red
B: InGaN/SiC Super Blue

Package dimensions&Internal Circuit Diagram



Notes:

- All dimensions are in millimeters(inches),Tolerance is $\pm 0.25(0.01)$ unless otherwise noted.
- Specifications are subject to change without notice.

Ningbo Foryard Optoelectronics Co.,Ltd

No.115 Qixin Road Jiangdong District Ningbo 315051,Ningbo,Zhejiang, China Tel:+86-574-87927870 fax:+86-574-87927917
Website:www.foryard.com

BIG LED Lamps



NINGBO FORYARD OPTOELECTRONICS CO., LTD.

20mm Round Big LED Lamp

FYL-20003GD **FYL-20003GC**
FYL-20003ED **FYL-20003EC**
FYL-20003YD **FYL-20003YC**
FYL-20003UGD **FYL-20003UGC**
FYL-20003SRD **FYL-20003SRC**
FYL-20003BD **FYL-20003BC**

Selection Guide

Package	Part No. FYL-	Chip		Lens Appearance	Absolute Maximum Ratings				Electro-optical Data(At 20mA)			Viewing Angle 2 1/2 (deg)
		Material/Emitted Color	Peak Wave Length P (nm)		(nm)	Pd (mw)	If (mA)	Peak (mA)	Vf(V)		Iv (mcd)	
									Typ	Max		
20mm round with 4 Leads	20003GD	GaP/GaP Green	570	Green diffused	30	80	30	150	2.20	2.50	90	120
	20003ED	GaAsP/GaP Orange	635	Orange diffused	35	80	30	150	2.10	2.50	60	
	20003YD	GaAsP/GaP Yellow	585	Yellow diffused	35	80	30	150	2.10	2.50	60	
	20003UGD	AlGaInP/Ultra Green	574	Green diffused	30	75	30	150	2.20	2.50	200	
	20003SRD	GaAlAs/SH Super Red	660	Red diffused	20	60	25	150	1.85	2.20	400	
	20003BD	InGaN/Sic Super Blue	470	Blue diffused	30	120	30	100	3.80	4.50	200	
	20003GC	GaP/GaP Green	570	Water clear	30	80	30	150	2.20	2.50	120	
	20003EC	GaAsP/GaP Orange	635	Water clear	35	80	30	150	2.10	2.50	100	
	20003YC	GaAsP/GaP Yellow	585	Water clear	35	80	30	150	2.10	2.50	100	
	20003UGC	AlGaInP/Ultra Green	574	Water clear	30	75	30	150	2.20	2.50	300	
	20003SRC	GaAlAs/SH Super Red	660	Water clear	20	60	25	150	1.85	2.20	600	
	20003BC	InGaN/Sic Super Blue	470	Water clear	30	120	30	100	3.80	4.50	900	

Notes:

1. 1/2 Is the angle from optical centerline where the luminous intensity is 1/2 the optical centerline value.

Absolute Maximum Rating (Ta=25 Derate above 25)

Characteristic	Condition	Symbol	Orange	Green	Yellow	SR	UG	Blue
Pulse Forward Current	0.1 duty cycle 0.1ms pulse width	Ifp	150mA	150mA	150mA	150mA	150mA	100mA
DC Forward Current		If	30mA	30mA	30mA	25mA	30mA	30mA
Reverse Current	Vr=5V	Ir	20 μA	20 μA	20 μA	20 μA	20 μA	20 μA
Power Dissipature		PD	80mW	80mW	80mW	60mW	75mW	120mW
Operating Temperature		Topr	-40 +80					
Storage Temperature		Tstg	-40 +85					
Lead Soldering Temperature	1.60mm from body-maximum 3second		260±5					

Notes:

1. All dimensions are in millimeters(inches),Tolerance is ±0.25(0.01) unless otherwise noted.
2. Specifications are subject to change without notice.

Ningbo Foryard Optoelectronics Co.,Ltd

No.115 Qixin Road Jiangdong District Ningbo 315051,Ningbo,Zhejiang, China Tel:+86-574-87927870 fax:+86-574-87927917
Website:www.foryard.com