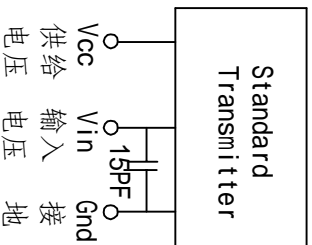
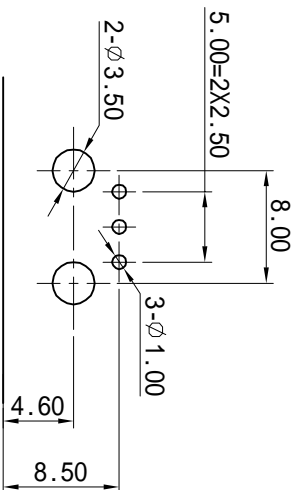
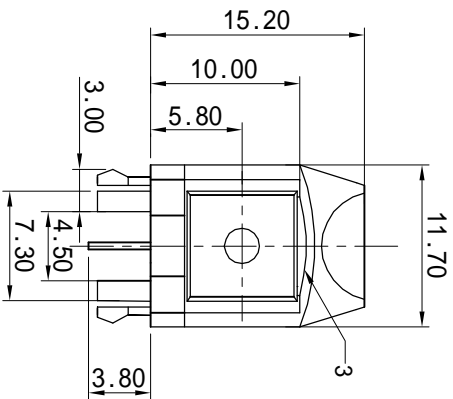
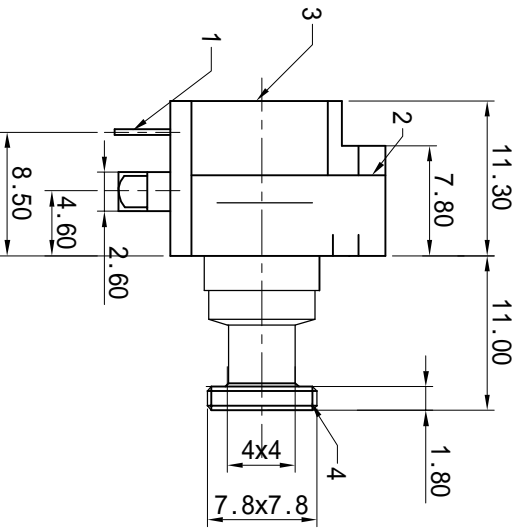


ALLOWANCE	
UNDER 3	± 0.1
3 TO 6	± 0.2
6 TO 15	± 0.3
15 TO 50	± 0.4
50 OVER	± 0.5



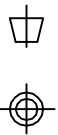
NO.:	PART NAME	MATERIAL	QTY	FINISHING
4	KNOB	PBT-G30 (VIRGIN)	1	BLACK
3	COVER	PBT-G30 (VIRGIN)	1	BLACK
2	HOUSE	PBT-G30 (VIRGIN)	1	BLACK
1	FDDI	进口		

MODEL NO : G0-01A(输出)
 TYPE : 光纤连接器
 DRAWING NO:

TOLERANCE : /
 UNIT : mm
 SCALE : NO SCALE
 APPROVED BY:

DRAWN BY:

CHECKED BY:



ZHENGWEI INDUSTRY (HK) CO., LIMITED