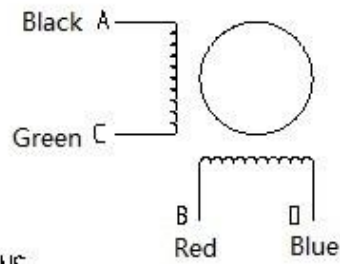


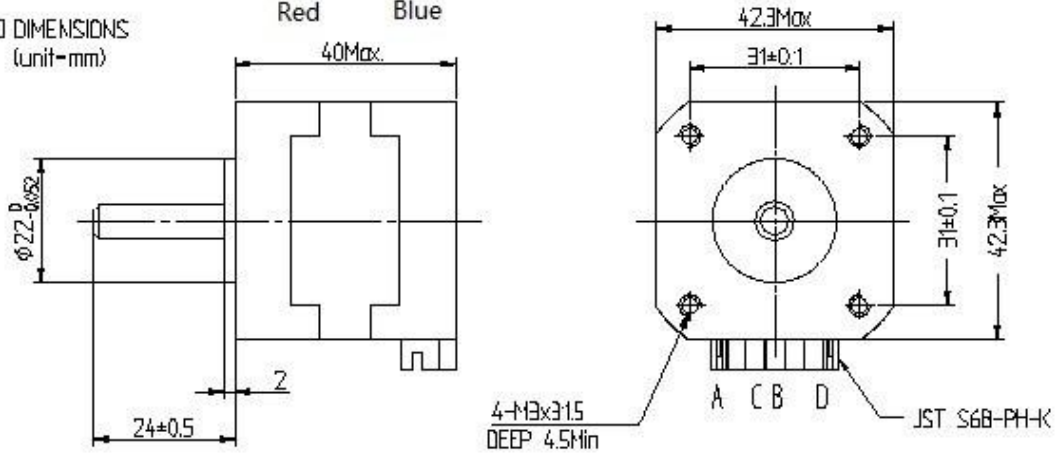
HYBRID STEPPING MOTOR

MOD.42BYGH1861A-C

□ COLORS OF LEAD WIRES



□ DIMENSIONS (unit-mm)



□ SPECIFICATIONS

PHASE	2	COMMENT
STEP ANGLE	1.8	STEP
VOLTAGE	3.4	V
CURRENT	1.7	A/PHASE
RESISTANCE	2±10%	ohm /PHASE
INDUCTANCE	2±20%	mH/PHASE
HOLDING TORQUE	3600	g.cm
DETENT TORQUE	180	g.cm
INSULATION CLASS	B	
LIFE	6000	h

