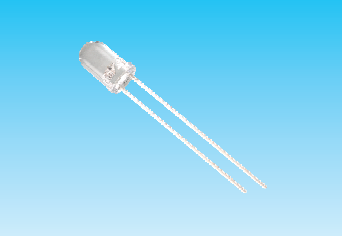
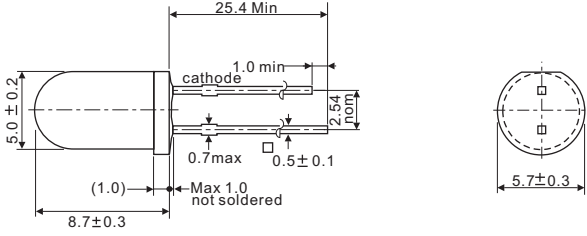



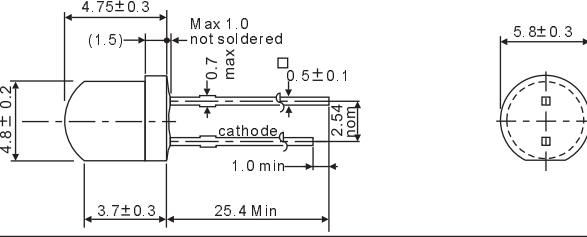
Infrared Emitters



Ta=25°C

Device No	Wavelength	Lens Color	Forward Voltage		Radiant Output Power (mw/sr)			View Angle
	λ_p (nm)		Typ(V)	IF(mA)	Minimum	Typical	IF(mA)	2 θ 1/2

$\phi 5$									UNIT: mm
	HIRB5-43C-A	940	Water clear	1.28	50	35.0	70.0	50	15
	HIRB5-23C-B	940	Colored clear	1.28		25.0	60.0		20
	HIRB5-43C-B	940	Water clear	1.28		25.0	60.0		20
	HIRB5-23C-C	940	Colored clear	1.28		25.0	40.0		40
	HIRB5-43C-C	940	Water clear	1.28		25.0	40.0		40
	HIRB5-43C-D	940		1.28		15.0	30.0		50
	HIRB5-43D-A	940		1.25		45.0	80.0		15
	HIRB5-43D-B	940		1.25		40.0	70.0		20
	HIRB5-43D-C	940		1.25		30.0	50.0		35
	HIRB5-43D-D	940		1.25		20.0	35.0		50
	HIRB5-43E-A	880		1.47		35.0	65.0		15
	HIRB5-43E-B	880		1.47		25.0	50.0		20
	HIRB5-43E-C	880		1.47		20.0	35.0		40
	HIRB5-43E-D	880		1.47		12.5	25.0		50
	HIRB5-43G-A	850		1.50		65.0	140.0		12
	HIRB5-43G-B	850		1.50		60.0	100.0		18
	HIRB5-43G-C	850		1.50		50.0	80.0		35
	HIRB5-43G-D	850		1.50		25.0	55.0		50
	HIRB5-43H-C	875		1.55		70.0	130.0		35
HIRB5-43H-D	875	1.55		50.0		80.0	50		
HIRB5-43P-A	770	1.70	60.0	115.0	15				

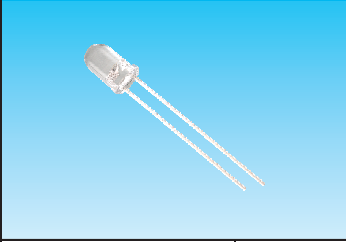
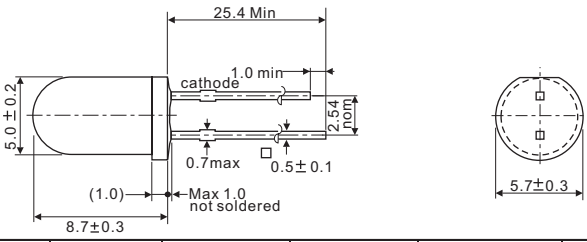
$\phi 5$									UNIT: mm
	HIRB5G-43D	940	Water clear	1.25	50	12.0	20.0	50	60
HIRB5G-43G	850	clear	1.50	15.0		25.0	70		


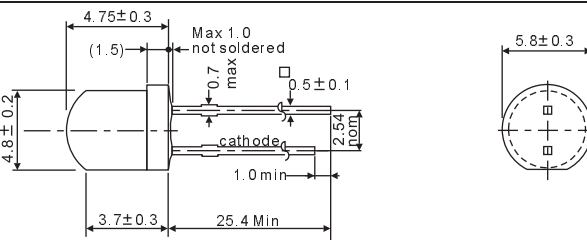


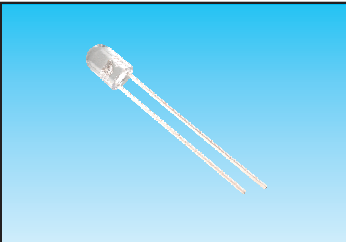
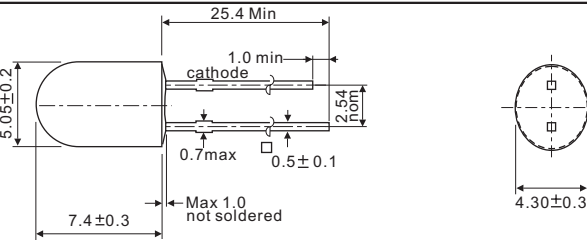
Infrared Emitters

Ta=25°C

Device No	Wavelength	Lens Color	Forward Voltage		Radiant Output Power (mw/sr)			View Angle 2θ1/2
	λp(nm)		Typ(V)	IF(mA)	Minimum	Typical	IF(mA)	

φ 5									
	HIRB5-43Eb-A	880	Water clear	1.47	50	35.0	70.0	50	15
	HIRB5-43Eb-B	880		1.47		25.0	55.0		20
	HIRB5-43Eb-C	880		1.47		18.0	38.0		40
	HIRB5-43Eb-D	880		1.47		14.0	28.0		50
	HIRB5-43Gb-A	850		1.50		65.0	150.0		12
	HIRB5-43Gb-B	850		1.50		60.0	110.0		18
	HIRB5-43Gb-C	850		1.50		50.0	85.0		35
	HIRB5-43Gb-D	850		1.50		25.0	58.0		50
	HIRB5-43Hb-C	875		1.55		70.0	140.0		35
HIRB5-43Hb-D	875	1.55		40.0		85.0	50		

φ 5								
	HIRB5G-43Gb	850	Water clear	1.50	50	15.0	28.0	50

oval									
	HIRB4Q-43D	940	Water clear	1.25	50	30.0	60.0	50	40/20
	HIRB4Q-43G	850		1.50		35.0	70.0		
	HIRB4Q-43Gb	850		1.50		38.0	74.0		