

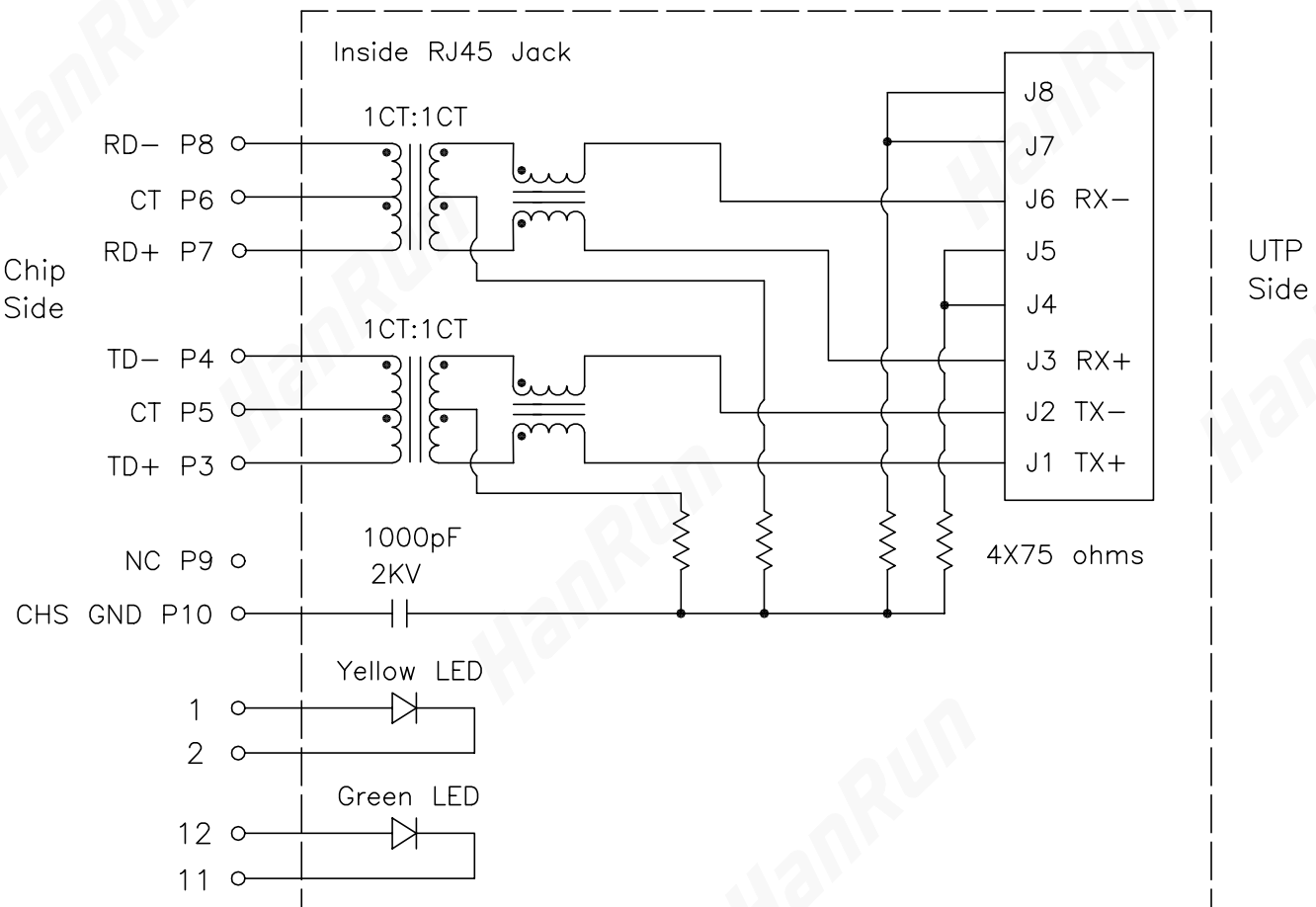
1x1 Port Tab-UP Surface Mount RJ45 Connector  
with Magnetics Module and LED  
for 10/100Base-TX NIC Applications

**HR961160C**

**Electrical Specification @25°C**

- RoHS Compliant (PB Free)
- Isolation: 1500Vrms (UTP Side to Chip Side)
- OCL: 350uH Minimum @100KHz 100mV with 8mADC
- Insertion Loss: -1.0dB Maximum @1MHz ~ 65MHz
- Return Loss: -20dB Minimum @1MHz ~ 10MHz / -16dB Minimum @30MHz  
-12dB Minimum @60MHz ~ 80MHz
- Common Mode Rejection: -30dB Minimum @1MHz ~ 50MHz  
-20dB Minimum @50MHz ~ 130MHz
- Crosstalk: -40dB Minimum @1MHz ~ 10MHz / -35dB Minimum @30MHz ~ 60MHz  
-30dB Minimum @60MHz ~ 100MHz

**Schematics**

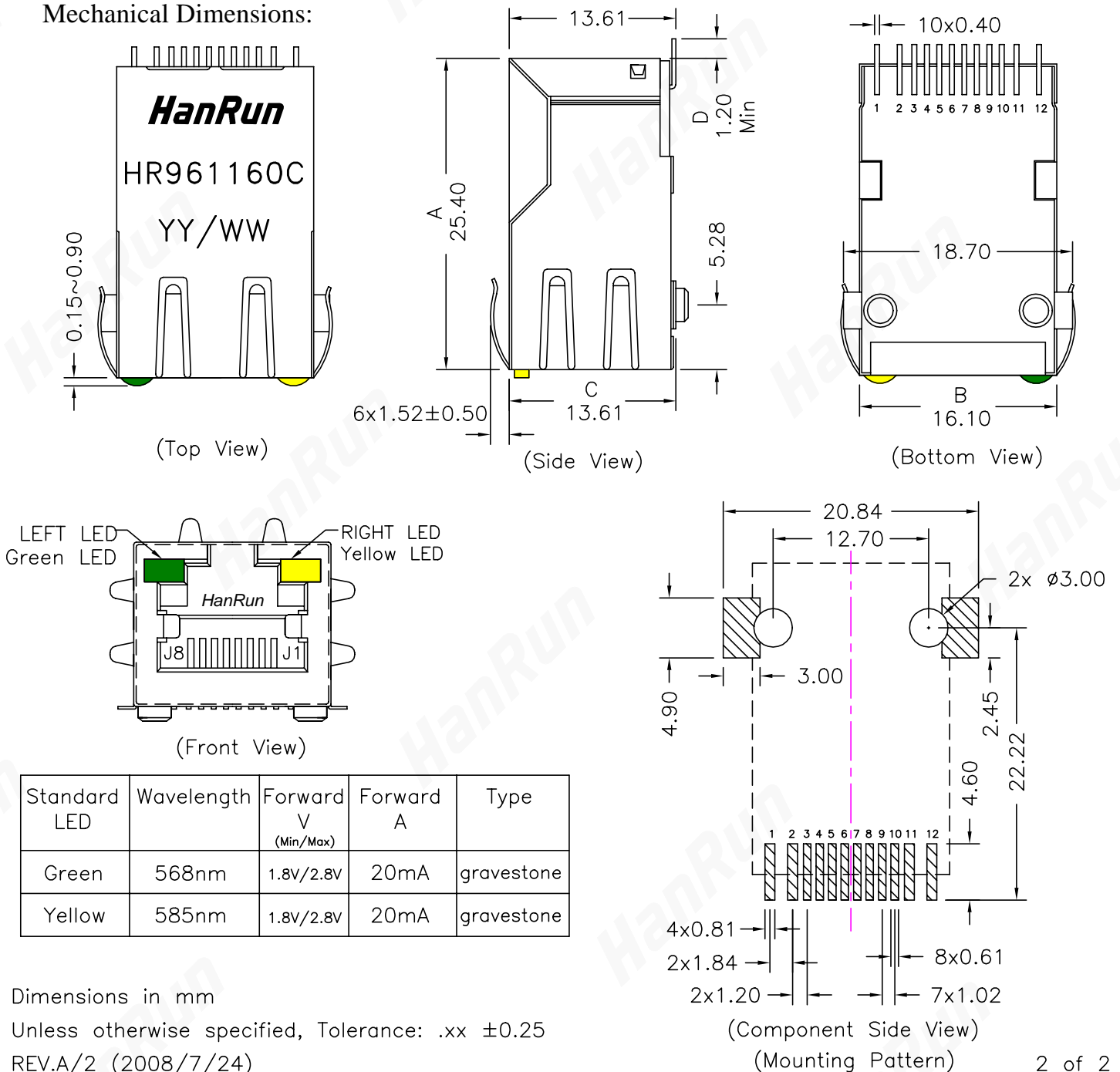


Notes: Connect CHS GND to PCB Ground

**HR961160C**

- RoHS Compliant (PB Free)
- Designed for Network Interface Card Application
- Meets or Exceeds IEEE802.3 standards including 350uH Min OCL with 8mADC
- High performance for EMI suppression, Crosstalk, Return Loss and Consistent Electrical
- Minimum 1500Vrms isolation per IEEE802.3 requirement
- Minimize PCB space and Simplify PCB Layout
- Less magnetic components to place on PCB, Higher reliability and yields

**Mechanical Dimensions:**



Dimensions in mm

Unless otherwise specified, Tolerance: .xx ±0.25

REV.A/2 (2008/7/24)

(Component Side View)

(Mounting Pattern)