

IM 18 NAMUR

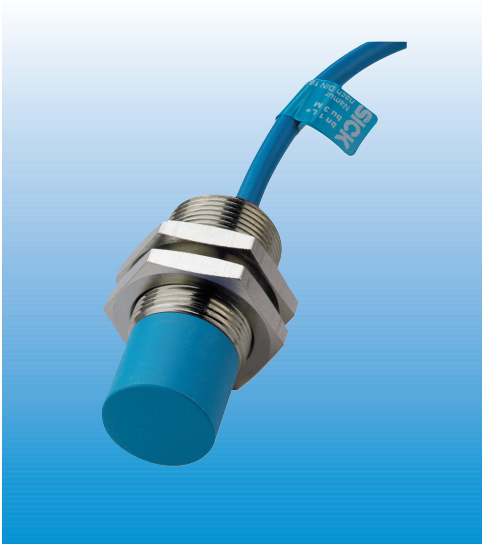
Inductive Proximity Sensors



Highlights

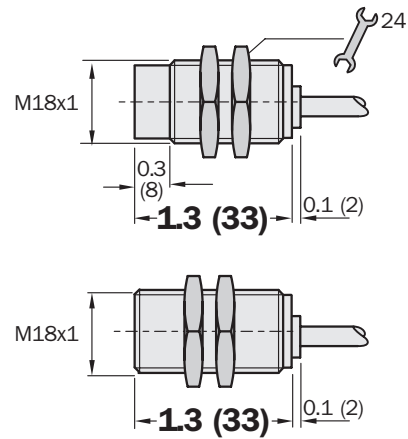
- NAMUR to DIN 19 234
- Enclosure rating IP 67
- Shielded or unshielded
- LED status indicator (NO function)
- Robust brass housing, nickel-plated with fine thread M18 x 1 mm
- High switching frequency

IM 18 NAMUR



Dimensional Drawing

dimensions in inches (mm)



Accessories	page
Mounting brackets	925, 926
Power supply	966

Electrical and Mechanical Data

Operating voltage U_b	5...25 V DC
Nominal voltage U_n	8.2 V DC
Power consumption, attenuated	≤ 1.0 mA
Power consumption, unattenuated	≥ 2.2 mA
Internal capacitance	≤ 230 nF (flush) ≤ 240 nF (non-flush)
Internal inductance	≤ 60 μ H
Cable resistance	≤ 50 Ω
Temperature drift	$\pm 10\%$ of s_r
EMC	to EN 60 947-5-2
Short-circuit protected	Yes
Reverse polarity protected	Yes
Enclosure rating to EN 60529	IP 67
Shock and vibration stress	30 g, 11 ms, 10 to 55 Hz, 1 mm
Ambient temperature T_a	-13...158°F (-25...70°C)
Housing material	Brass, nickel-plated, plastic
Tightening torque	35 Nm
Connection cable	PVC, 2 x 0.34 mm ² , blue
Max. data for connecting isolating unit EN 2 EX or other approved isolating amplifier:	
Short circuit current I_k max	50 mA
No load voltage U_o	15 V
Power loss P_{max}	180 mW

Selection Table

Sensing range S_n in (mm)	Installation in metal	Switching output	Output function	Switching frequency f in Hz	Connection type	Type	Part no.
0.2 (5)		NAMUR		720	Cable 2 m	IM18-05B-N-ZW0	6 021 126
0.3 (8)		NAMUR		300	Cable 2 m	IM18-08N-N-ZW0	6 021 127

Connection Diagram



Wire color			Assignment
bn	braun	brown	+ V DC
bu	blau	blue	- V DC