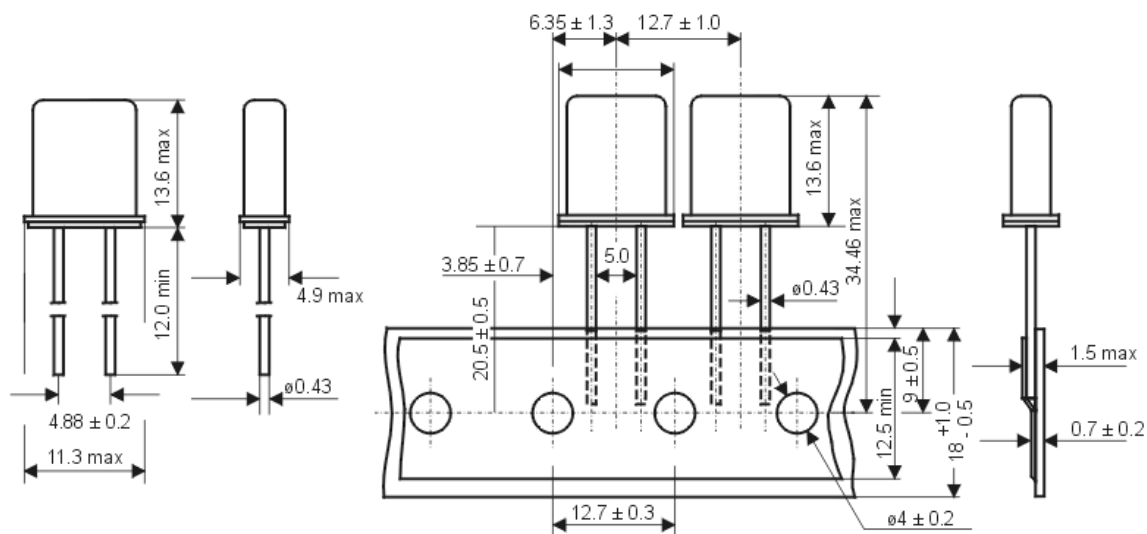




QUARTZ CRYSTALS

HC-49/U

model	KX-49	
frequency range	1,84320 ~ 30 MHz	
mode	fundamental	
operating temperature	standard	-20° ~ + 70°C
	available	-40° ~ + 85°C (= KX-49T)
	available	-40° ~ +105°C (= KX-49E)
frequency tolerance at +25°C	standard:	± 30 ppm
	available:	± 5 ~ 50 ppm
temperature tolerance at -20° ~ +70°C	standard:	± 50 ppm
	available:	± 5 ~ 50 ppm
load capacitance C_L	standard:	30 pF
	available:	10 ~ 30 pF
series resonance R_1 max.	1,8432	600 Ohm
	2,0	400 Ohm
	2,4576	200 Ohm
	3,0	150 Ohm
	> 4,0	60 Ohm
aging (first year)	± 5 ppm	
shunt capacitance C_0 max.	7 pF	
drive level mW max	0,5 ~ 2	
RoHS	started from date code July, 2005	
part no.	12.81100 ~ 12.81999	



taped crystals upon request