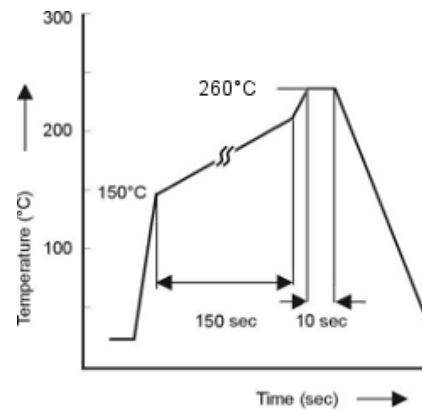
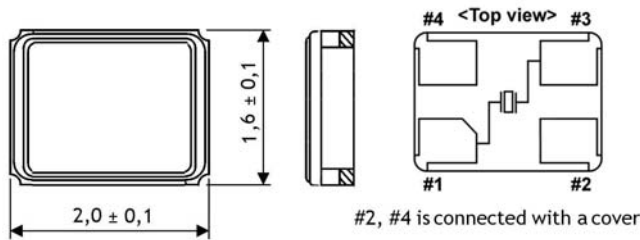


QUARTZ CRYSTALS

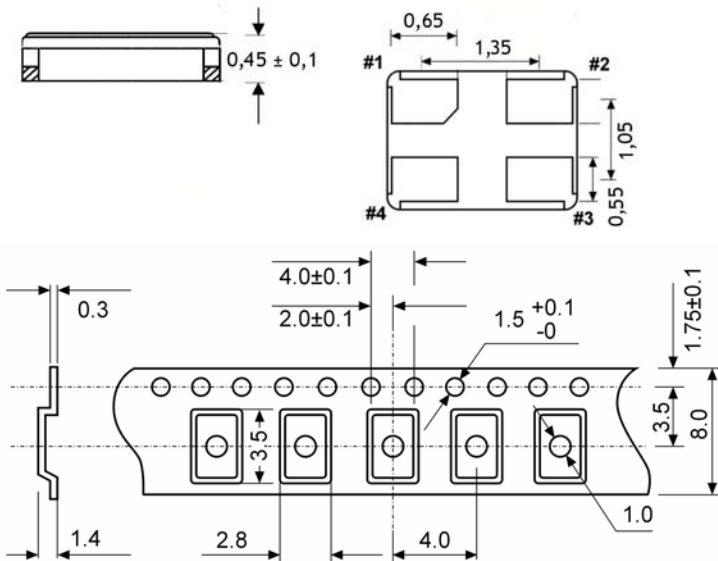
MHz range

SMD-version

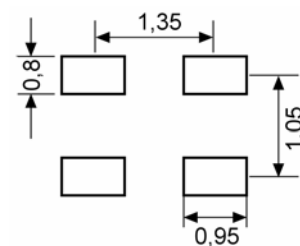
model	KX – 5
frequency range	20,0 ~80,0 MHz
mode	fundamental
operating temperature	standard -20° ~ + 70°C available -40° ~ + 85°C (=KX-5T)
frequency tolerance at +25°C	standard ± 30 ppm available ± 30 ~ ± 50 ppm
temperature tolerance -20° ~ + 70°C -40° ~ + 85°C	standard ± 50 ppm, available ±30 ~ ±50 ppm standard ±100 ppm, available ±30 ~ ± 100 ppm
load capacitance C_L	standard 8 pF available 8 ~ 16 pF
series resonance R_1 max.	20,0 ~ 30,0 MHz 100 Ohm 30,1 ~ 80,0 MHz 80 Ohm
aging (first year)	± 5 ppm
shunt capacitance C_0 max.	5,0 pF
drive level max.	50 μ W
RoHS	since production start
contents of reel	3000 pcs.
part no.	12.85500 ~ 12.85999



soldering condition



(mm)



suggested soldering pad

reel diameter 245 mm