



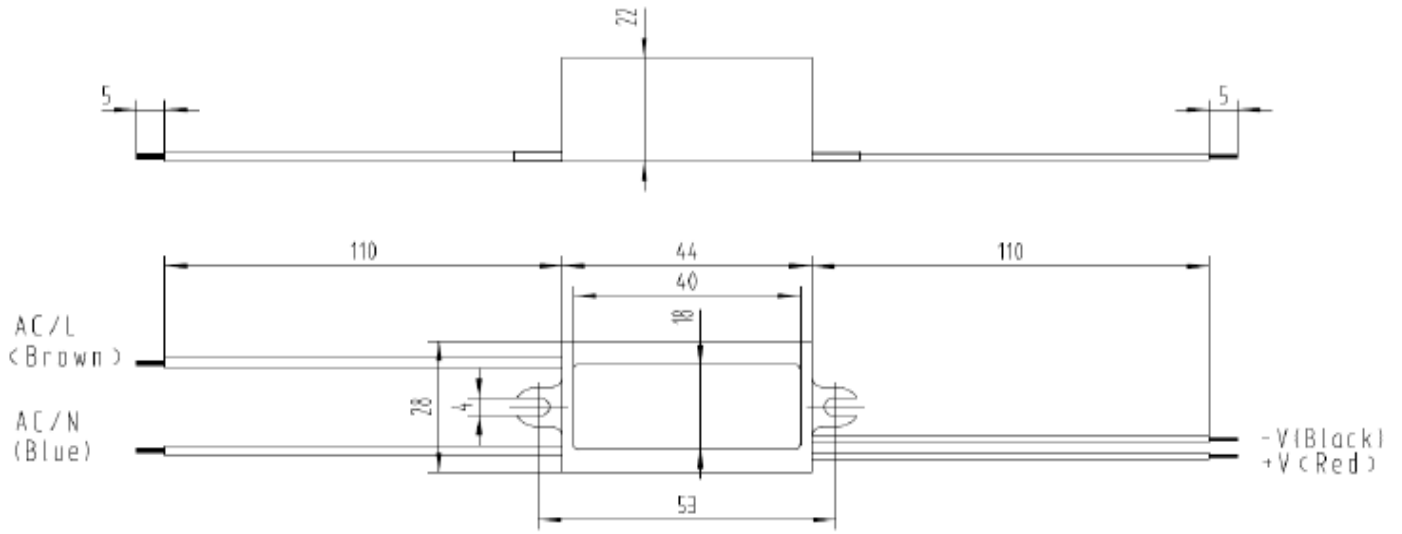
Features :

- Constant current mode power supply
- Universal AC input/Full range
- Fully encapsulated with IP67 level
- Protections: Over current
- Small and compact size
- UL1310 Class 2 power unit, pass LPS
- 100% full load burn-in test
- Suitable for LED lighting and moving sign applications
- 2 years warranty

SPECIFICATION:

MODEL		LA5-350	LA5-700
OUTPUT	DC VOLTAGE	12V	6V
	DC VOLTAGE RANGE	2-12V	2-7V
	CURRENT RANGE	350mA ±3%	700mA ±3%
	RATED POWER	4.2W	4.2W
	RIPPLE & NOISE (max.)	200mVp-p	200mVp-p
	VOLTAGE TOLERANCE	± 3.0%	
	LINE REGULATION	± 1.0%	
	LOAD REGULATION	± 2.0%	
	SETUP,RISE,HOLD UP TIME	500ms,250ms, 50ms/230VAC	
INPUT	VOLTAGE RANGE	100-240Vac	
	FREQUENCY RANGE	47~63Hz	
	EFFICIENCY (Typ.)	60 % full load at 100VAC 72 % full load at 240VAC	
	AC CURRENT	0.15A/100AC 0.1A/200AC	
	INRUSH CURRENT (max.)	COLD STAT 30A/230VAC	
	LEAKAGE CURRENT	0.25mA/240VAC	
PROTECTION	OVER CURRENT	Withstand Short circui output for 30 seconds	
ENVIRONMENT	WORKING TEMP.	-10~50°C	
	WORKING HUMIDITY	20~90% RH non-condensing	
	STORAGE TEMP., HUMIDITY	-40~80°C, 10~95% RH	
	TEMP.COEFFICIENT	± 0.03%/°C (0~50°C)	
	VIBRATION	10 ~ 500Hz, 2G 10min./1cycle, period for 60min. each along X,Y, Z axes	
SAFETY & EMC	SAFETY STANDARDS	Design refer to UL1310 Class 2,TUV EN60950-1, EN61347-2-13, CAN/CSA C22.2 No. 223-M91, meet IP67	
	WITHSTAND VOLTAGE	I/P-O/P:3KVAC	
	ISOLATION RESISTANCE	I/P-O/P:>100M Ohms / 500VDC / 25~70% RH	
	EMI CONDUCTION&RADIATION	Compliance to EN55022 (CISPR22) Class B	
	HARMONIC CURRENT	Compliance to EN61000-3-2,-3	
	EMS IMMUNITY	Compliance to EN61000-4-2,3,4,5,6,8,11; ENV50204, EN55024, light industry level, criteria A	
DIMENSION		59*28*22mm (L*W*H)	

Mechanical Specification



Block Diagram

