

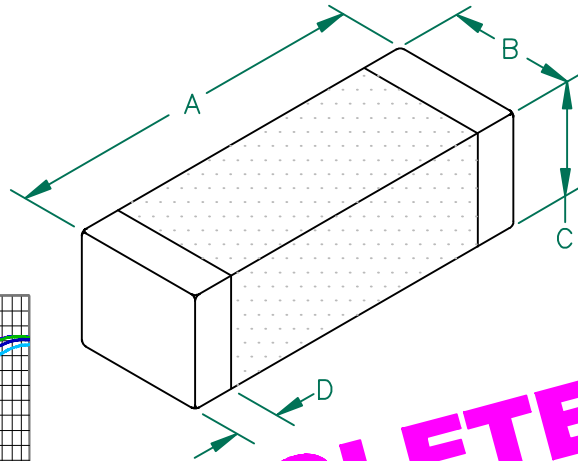
LI1806C151R-10

UNCONTROLLED DOCUMENT



PHYSICAL DIMENSIONS:

A	4.50 [.177]	+ 0.25 [.010]
B	1.60 [.063]	+ 0.25 [.010]
C	1.60 [.063]	+ 0.25 [.010]
D	0.51 [.020]	+ 0.25 [.010]



ELECTRICAL CHARACTERISTICS:

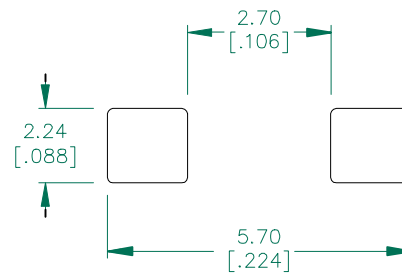
Z @ 100MHz (Ω)	DCR (Ω)	Rated Current
Nominal	150	
Minimum	113	
Maximum	188	0.500 300 mA

NOTES: UNLESS OTHERWISE SPECIFIED

1. TAPED AND REELED per CURRENT EIA SPECIFICATIONS 7" REELS, 3,000 PCS/REEL.
2. TERMINATION FINISH IS 100% TIN.

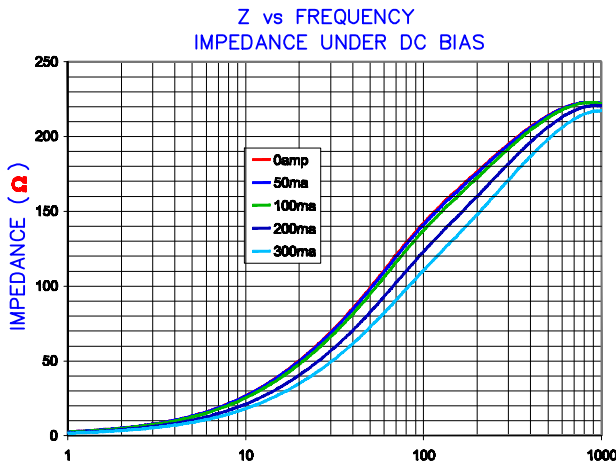
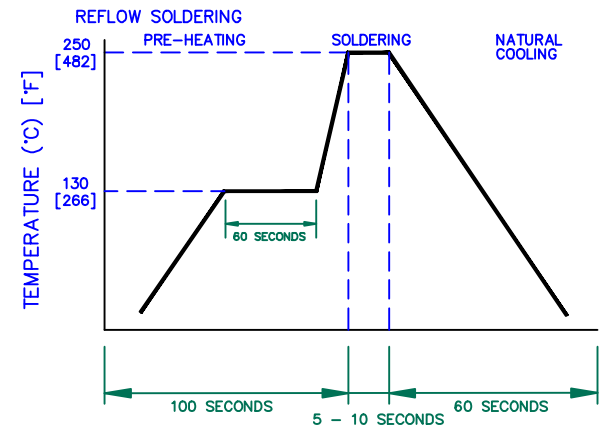
OBSOLETE

LAND PATTERNS FOR REFLOW SOLDERING

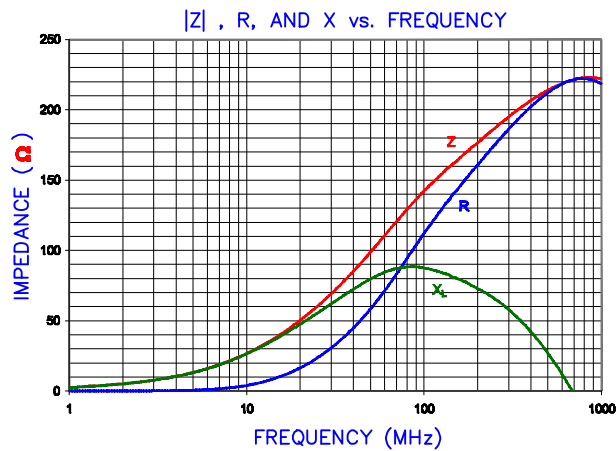


(For wave soldering, add 0.762 [.030] to this dimension.)

RECOMMENDED SOLDERING CONDITIONS



Z vs FREQUENCY
IMPEDANCE UNDER DC BIAS



|Z| , R, AND X vs. FREQUENCY

AGILENT E4991A RF Impedance/Material Analyzer
HP 16194A Test Fixture. TEST REF. 3124

DIMENSIONS ARE IN mm [INCHES].				THIS DOCUMENT CONTAINS INFORMATION WHICH IS PROPRIETARY AND CONFIDENTIAL TO STEWARD. NO PRODUCTION OR PUBLICATION OF THIS DOCUMENT IN WHOLE OR IN PART SHALL BE MADE WITHOUT WRITTEN AUTHORIZATION FROM STEWARD.			
<p>Steward</p>				PROJECT/PART NUMBER:		REV	PART TYPE:
				LI1806C151R-10		B	CO-FIRE
DATE:		SCALE:		SHEET:		DRAWN BY:	
08/07/02		NTS		-		JRK	
CAD #		TOOL #		2 of 2			
L11806C151R-10-B		-					
REV	DESCRIPTION	DATE	INT				
B	ADD DC BIAS CURVE CHG REFLOW TEMP. CORRECT LANDPATTERN DIMS	03/17/03	JRK				
A	ORIGINAL DRAFT	08/07/02	JRK				