

# Lithium ion Polymer Battery LP383450 Brief Datasheet

## 1, BASIC SPECIFICATION:

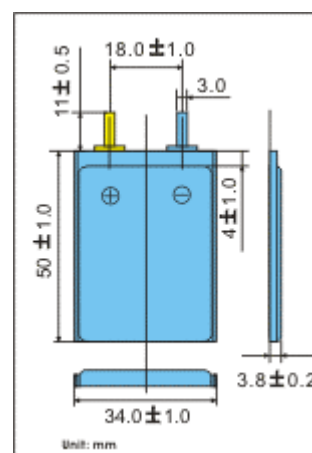
1	Battery Type	LP383450
2	Nominal Capacity	720mAh (0.2C discharge)
	Minimum Capacity	700mAh (0.2C discharge)
3	Charging Voltage	4.2V
4	Nominal Voltage	3.7V (0.2C discharge)
5	Standard Charge	Method: CC/CV (constant current / constant voltage) Current: 350mA (0.5C) Voltage: 4.2V End Current:: 30mA
6	Maximum Charge Current	700mA (1C)
7	Standard Discharge	Method: CC (constant current) Current: 350mA (0.5C) End Voltage: 3.0V
8	Maximum Discharge Current	1400mA (2C)
9	Weight	Approx. 14.5g
10	Operating Temperature	Charge: 0 °C ~ 45°C Discharge: -20 °C ~ 60°C
11	Storage Temperature	1 month: -20°C ~ 45°C 6 months: -20°C ~ 45°C
12	Cycle Life	≥300 cycles ( at 1C charge and discharge, 23°C)

## 2. MAIN FEATURES

- Thin format, light weight, large area, and flexibility in design
- Easily customized, Energy density, High capacity

## 3. WARNING!

- \* Do not overcharge, force discharge, short-circuit, disassemble, deform, heat or place the battery near a direct flame. Any of the above actions could cause it to ignite, explode or become damaged.
- \* Keep this battery out of the reach of children.
- \* When storing the battery or throwing it away, be sure to cover it with tape.



Note: Any representations in this brochure concerning performance, are for informational purposes only and are not construed as warranties either expressed or implied, of future performance.